

**hitech**  
Your Trusted Outsourcing Partner

**Hi-Tech iSolutions LLP**  
Commerce House-4,  
9th Floor, Prahaladnagar, Ahmedabad  
Phone:+91-794-000-3000  
www.hitechdigital.com

Client : \_\_\_\_\_

Address: \_\_\_\_\_

Title:  
**Curation Station**

**Issued for Approval**

Design Architect: \_\_\_\_\_

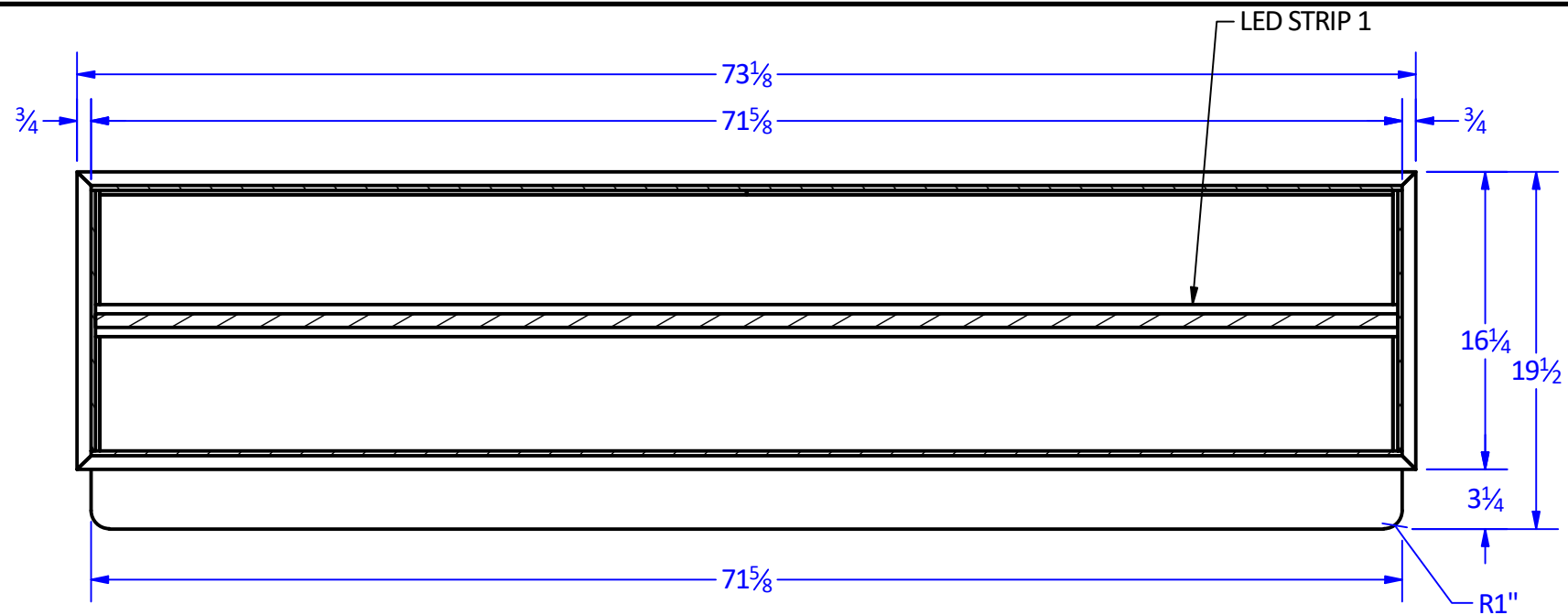
Scale @ A1: 3/4"=1'

Drawn By: HT

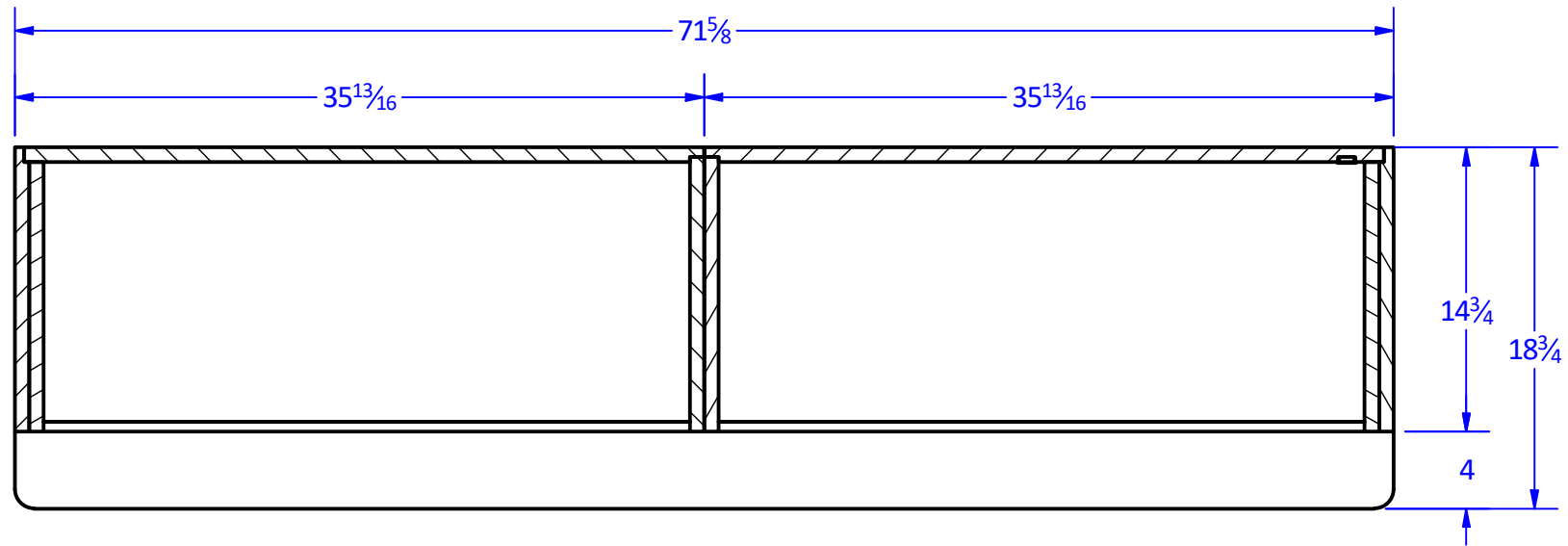
Date: 01-18-2021

Drawing No: HISES-3002-001

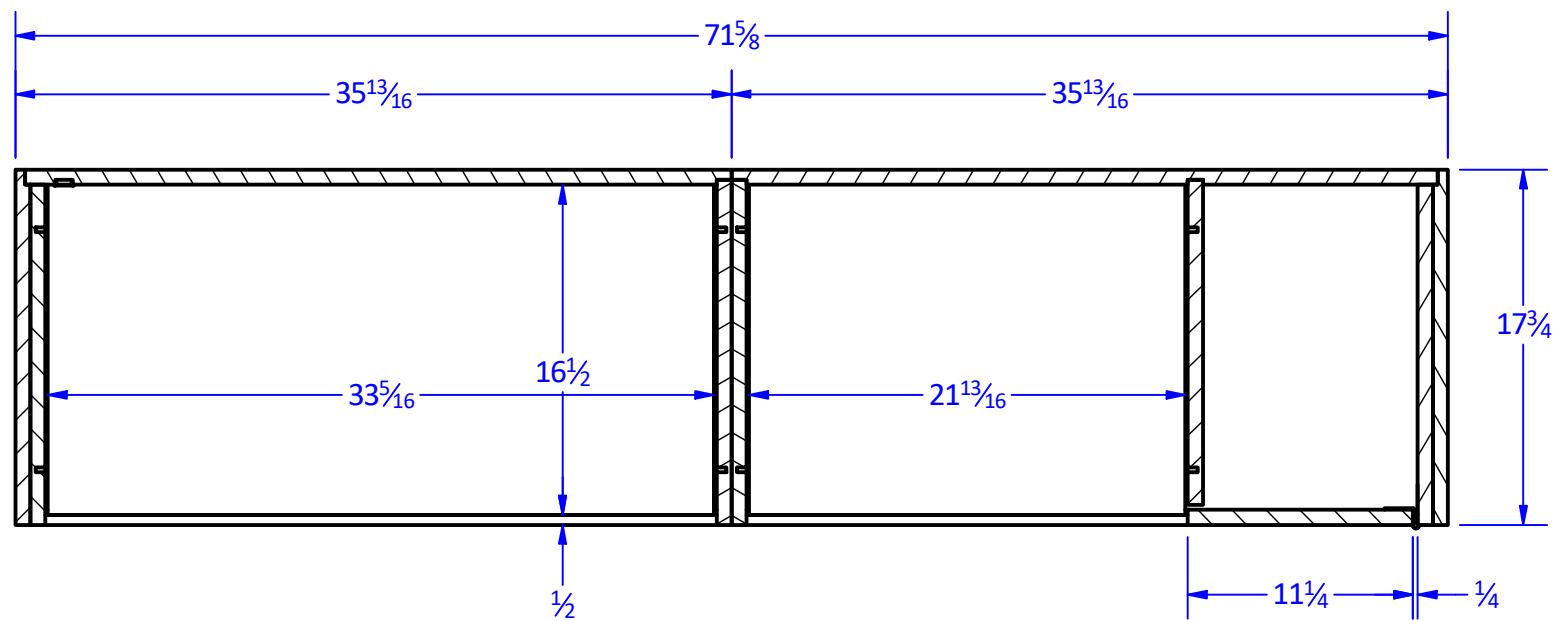
Revision: 00



SECTION A-A ( 5/4"=1' )



SECTION B-B ( 5/4"=1' )



SECTION C-C ( 5/4"=1' )



**Hi-Tech iSolutions LLP**

Commerce House-4,  
9th Floor, Prahaladnagar, Ahmedabad  
Phone:+91-794-000-3000  
www.hitechdigital.com

Client :

Address:

Title:  
Curation Station

**Issued for Approval**

Design Architect:

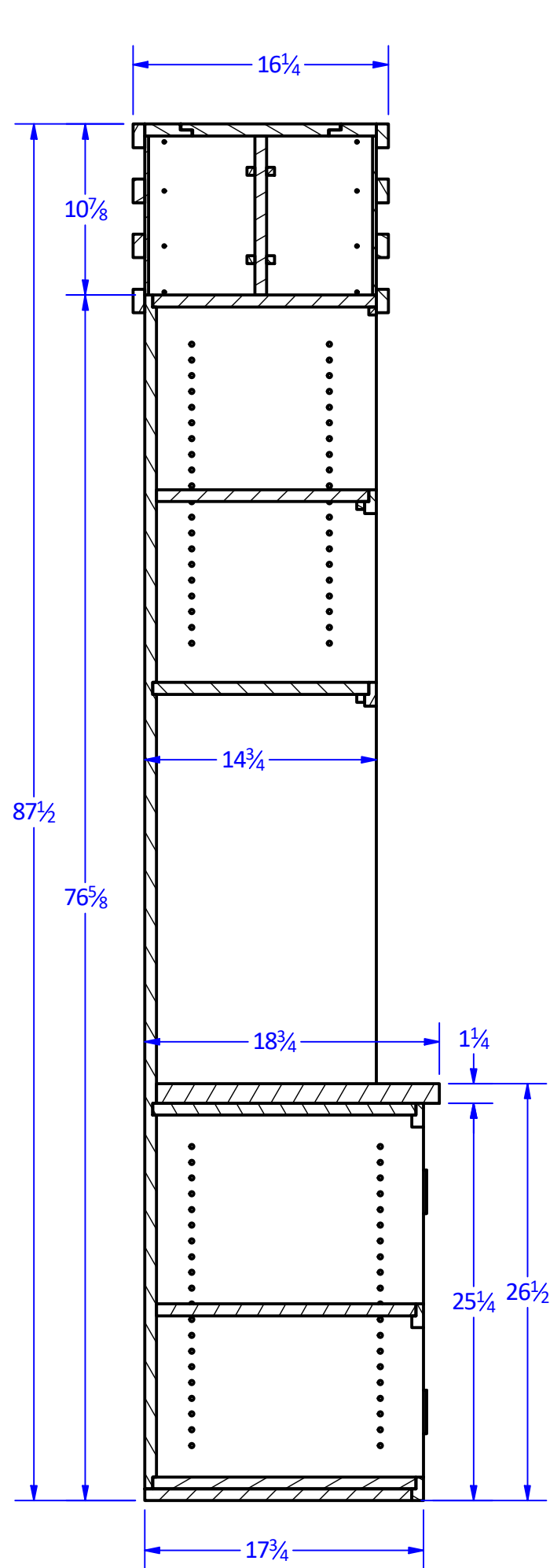
Scale @ A1: 5/4"=1'

Drawn By: HT

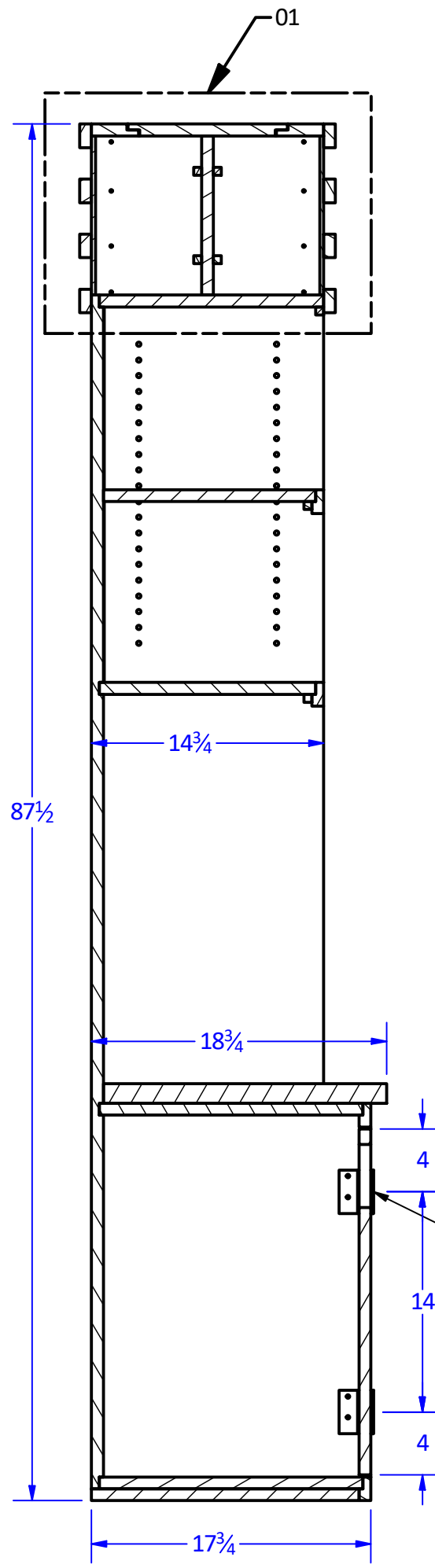
Date: 01-18-2021

Drawing No:  
HISES-3002-002

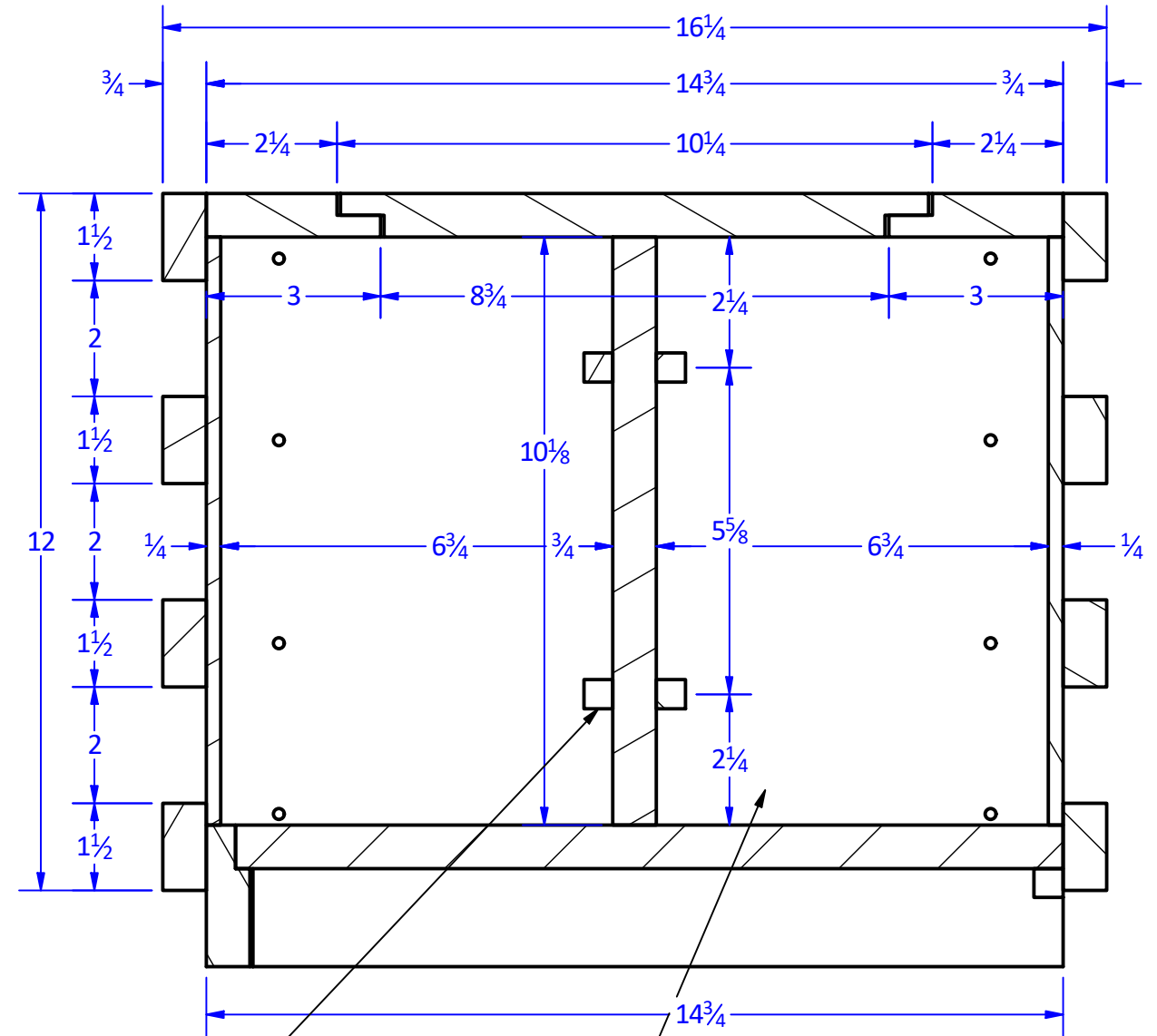
Revision:  
00



SECTION E-E ( 5/4"=1' )



SECTION F-F ( 5/4"=1' )



LED STRIP 1 Detail 01 ( 4"=1' )

LED DRIVERS SET WITHIN BOX

INSET INST. HINGES



**Hi-Tech iSolutions LLP**

Commerce House-4,  
9th Floor, Prahaladnagar, Ahmedabad  
Phone:+91-794-000-3000  
www.hitechdigital.com

Client :

Address:

Title:  
Curation Station

**Issued for Approval**

Design Architect:

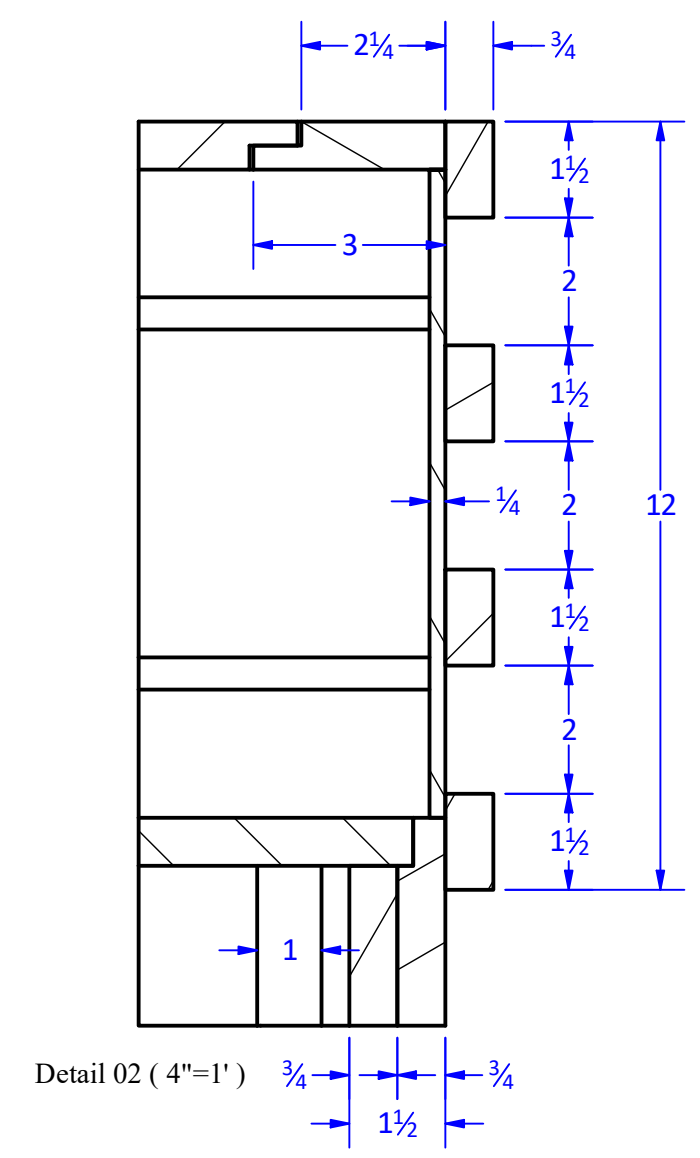
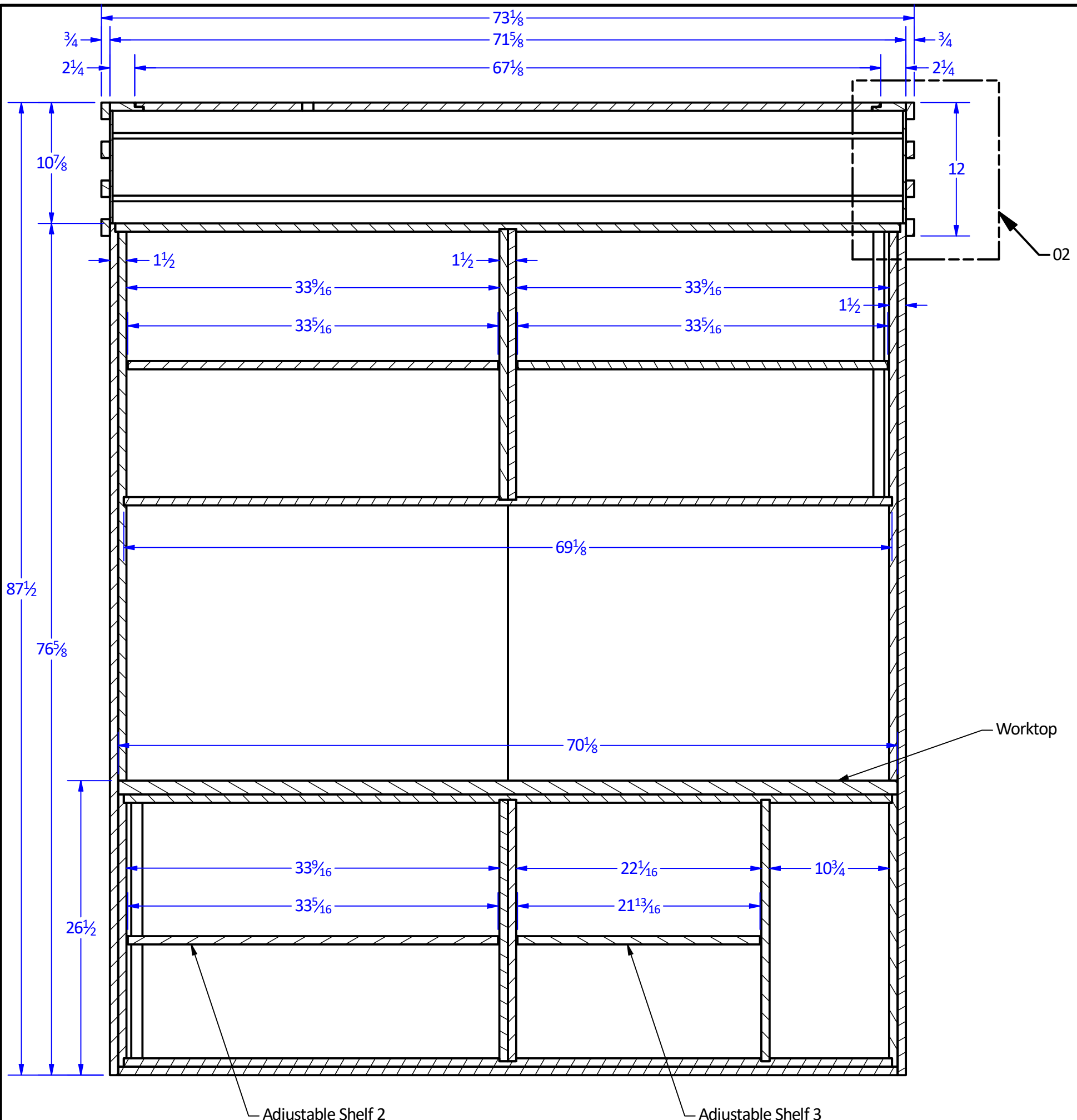
Scale @ A1: 5/4"=1'

Drawn By: HT

Date: 01-18-2021

Drawing No:  
HISES-3002-003

Revision:  
00



**hitech**  
Your Trusted Outsourcing Partner

**Hi-Tech iSolutions LLP**  
Commerce House-4,  
9th Floor, Prahaladnagar, Ahmedabad  
Phone:+91-794-000-3000  
www.hitechdigital.com

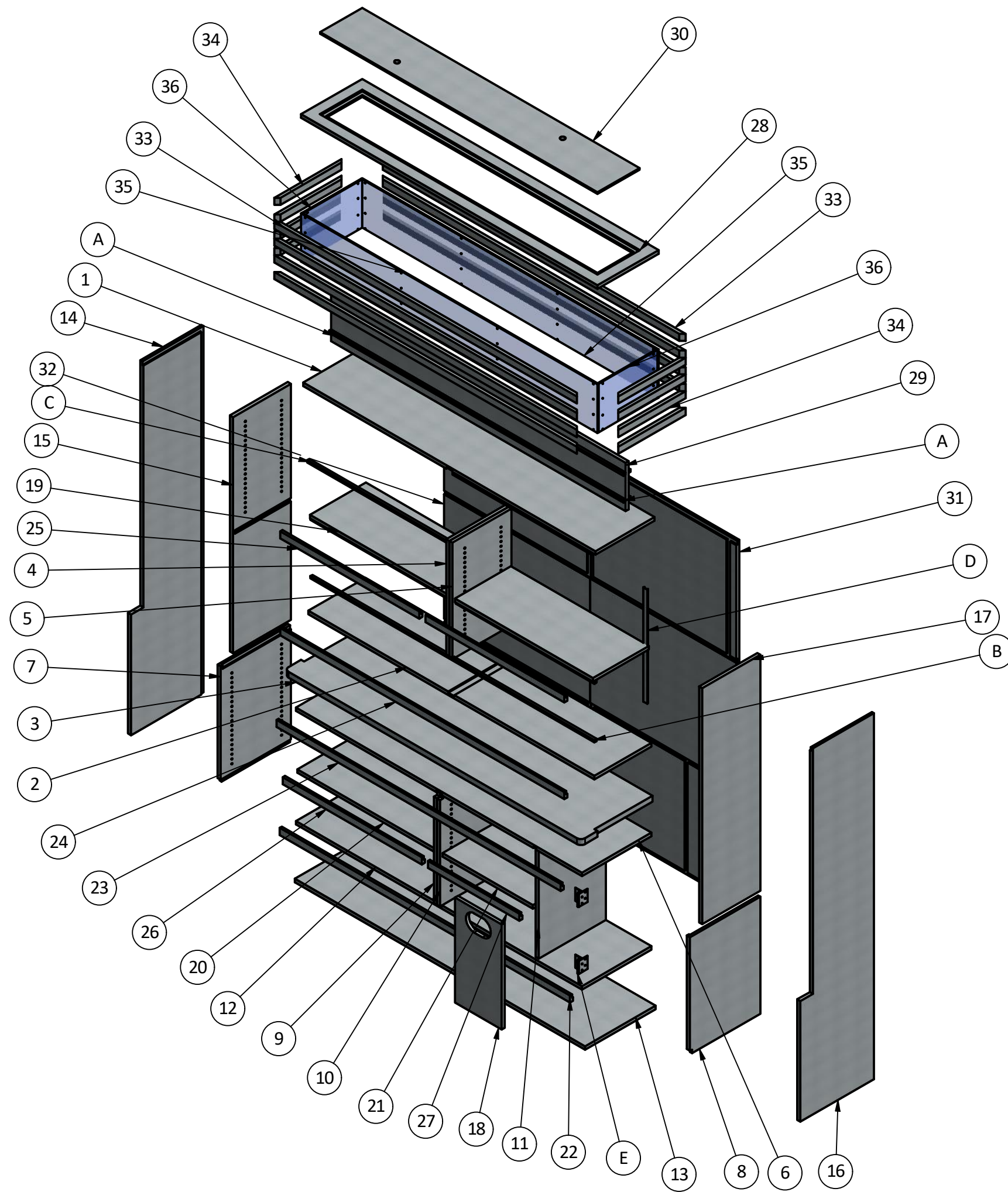
Client :  
Address:  
Title:  
**Curation Station**

**Issued for Approval**

Design Architect:  
Scale @ A1: 5/4"=1'  
Drawn By: HT  
Date: 01-18-2021

Drawing No: HISES-3002-004  
Revision: 00

PARTS LIST		
ITEM	QTY	PART NUMBER
1	1	Top panel
2	1	Fixed Shelf
3	1	Worktop
4	1	Upper cabinet Middle LH panel
5	1	Upper cabinet Middle RH panel
6	1	Base Cabinet_Top panel
7	1	Base Cabinet_LH side panel
8	1	Base Cabinet_RH side panel
9	1	Base Cabinet_Middle LH side panel
10	1	Base Cabinet_Middle RH side panel
11	1	Base Cabinet_Middle RH Door side panel
12	1	Base Cabinet_Bottom panel 1
13	1	Base Cabinet_Bottom panel 2
14	1	LH side panel 1
15	1	LH side panel 2
16	1	RH side panel 1
17	1	RH side panel 2
18	1	Base Cabinet_Door
19	2	Adjustable Shelf 1
20	1	Adjustable Shelf 2
21	1	Adjustable Shelf 3
22	1	Downstand Panel 1
23	1	Downstand Panel 2
24	1	Downstand Panel 3
25	2	Downstand Panel 4
26	1	Downstand Panel 5
27	1	Downstand Panel 6
28	1	Header Top Panel
29	1	Header Divider
30	1	Header Removable Panel
31	1	Back panel-1
32	1	Back panel-2
33	8	Strip Panel 1
34	8	Strip Panel 2
35	2	1/4" Translucent Panel Long
36	2	1/4" Translucent Panel Short
A	4	LED STRIP 1
B	1	LED STRIP 2
C	4	LED STRIP 3
D	1	Wire Covers
E	2	Inset INS. Hinges



**hitech**  
Your Trusted Outsourcing Partner

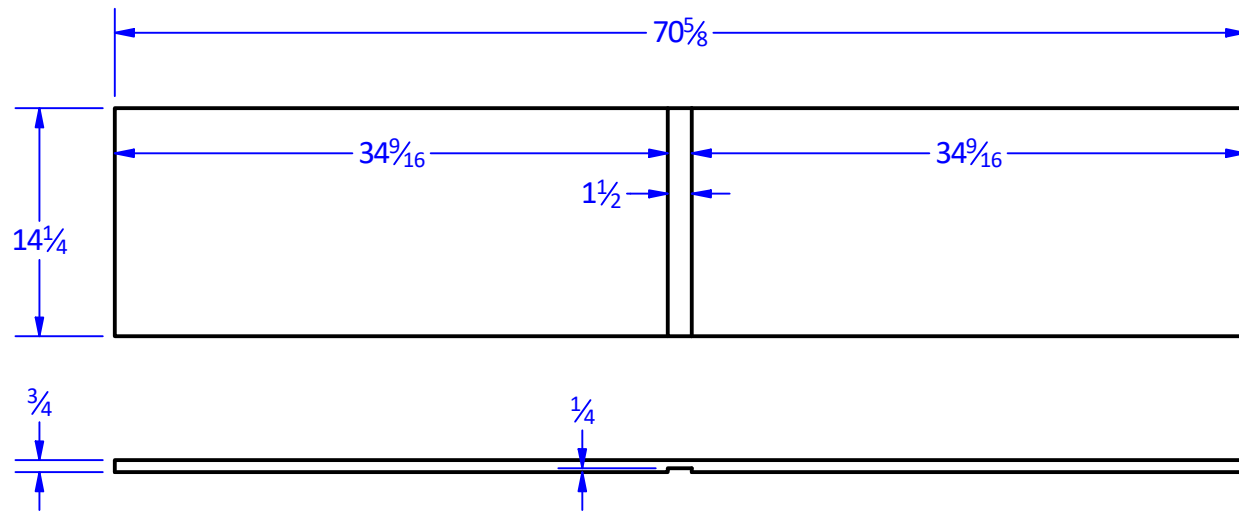
**Hi-Tech iSolutions LLP**  
Commerce House-4,  
9th Floor, Prahaladnagar, Ahmedabad  
Phone:+91-794-000-3000  
www.hitechdigital.com

Client :  
Address:  
Title:  
**Curation Station**

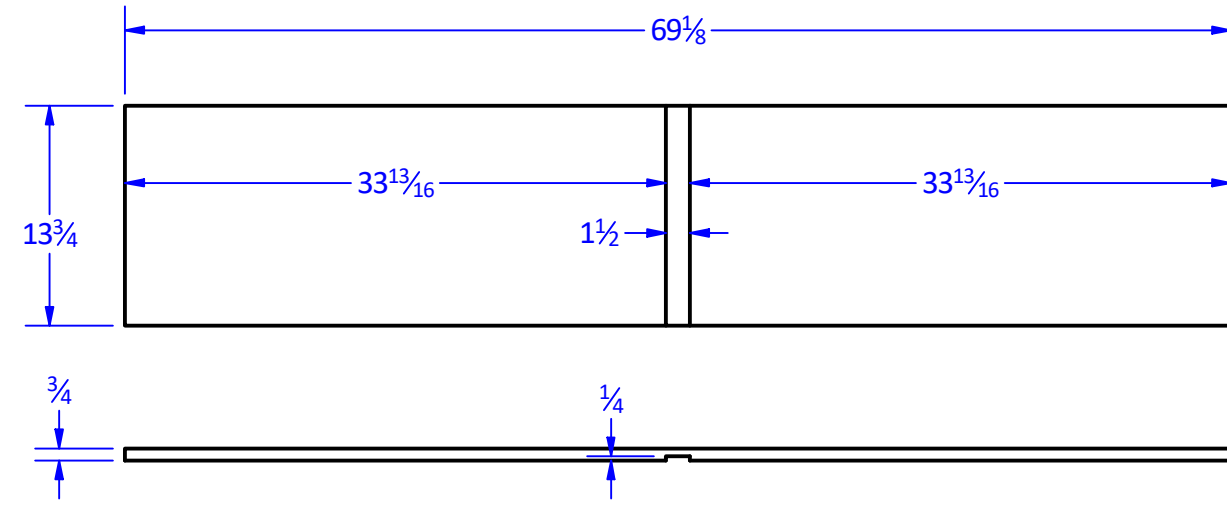
**Issued for Approval**

Design Architect:  
Scale @ A1: 5/4"=1'  
Drawn By: HT  
Date: 01-18-2021

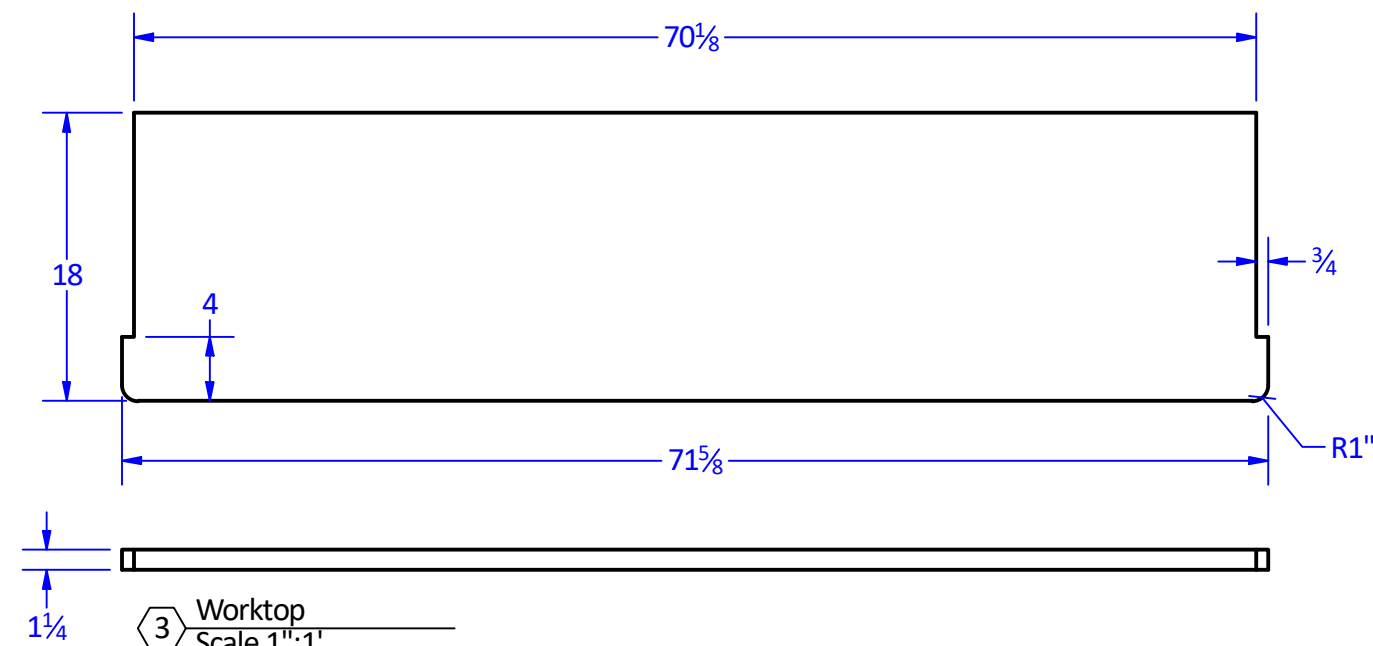
Drawing No: HISES-3002-005  
Revision: 00



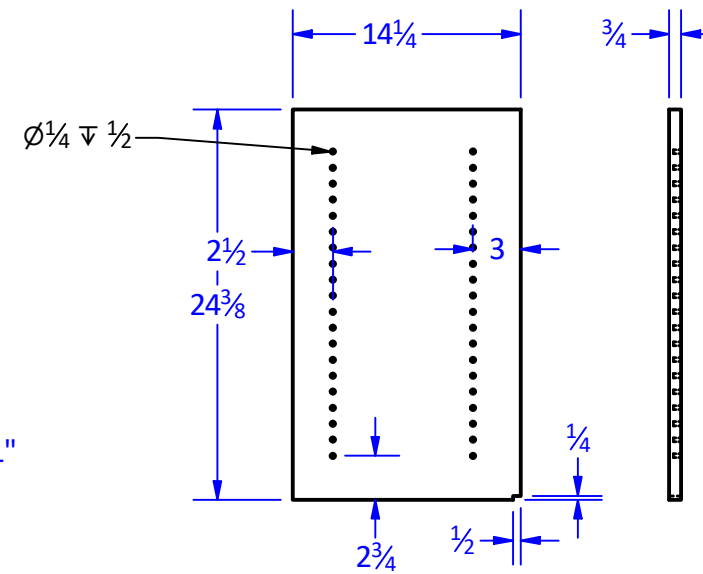
1 Top Panel  
Scale 1":1'



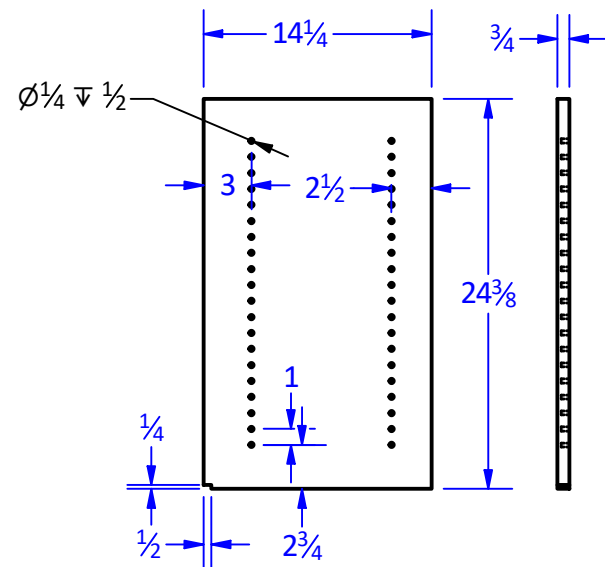
2 Fixed Shelf  
Scale 1":1'



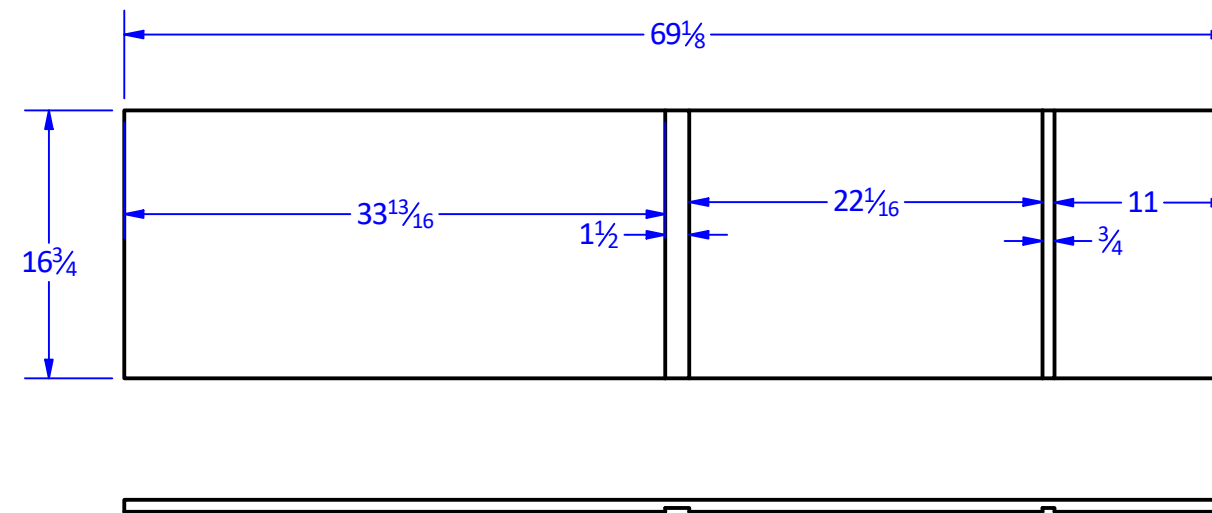
3 Worktop  
Scale 1":1'



4 Upper cabinet Middle LH panel  
Scale 1":1'



5 Upper cabinet Middle RH panel  
Scale 1":1'



6 Base Cabinet Top panel  
Scale 1":1'



**Hi-Tech iSolutions LLP**

Commerce House-4,  
9th Floor, Prahaladnagar, Ahmedabad  
Phone:+91-794-000-3000  
www.hitechdigital.com

Client :

Address:

Title:  
Curation Station

**Issued for Approval**

Design Architect:

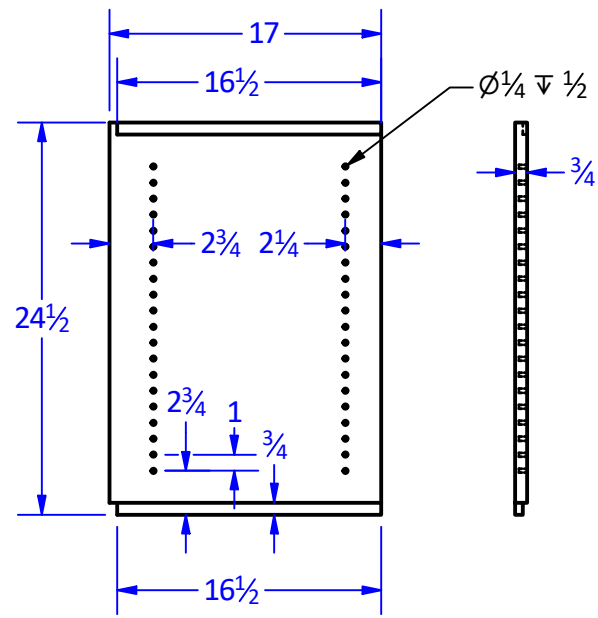
Scale @ A1: 1"=1'

Drawn By: HT

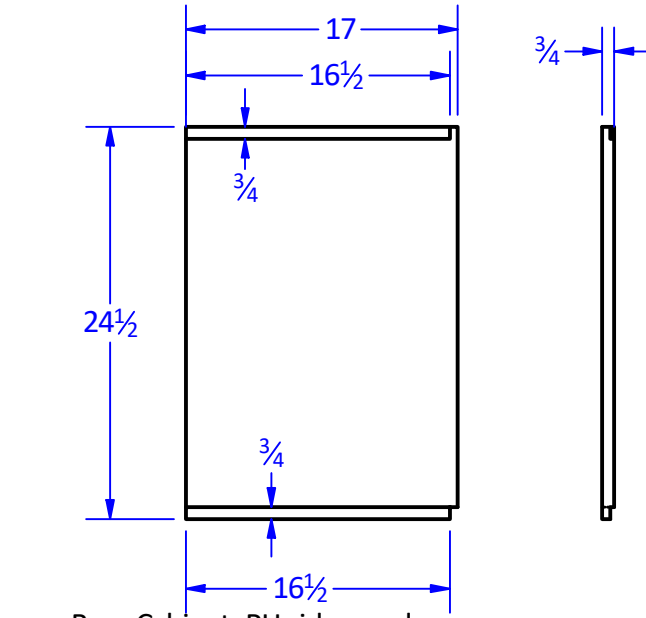
Date: 01-18-2021

Drawing No:  
HISES-3002-006

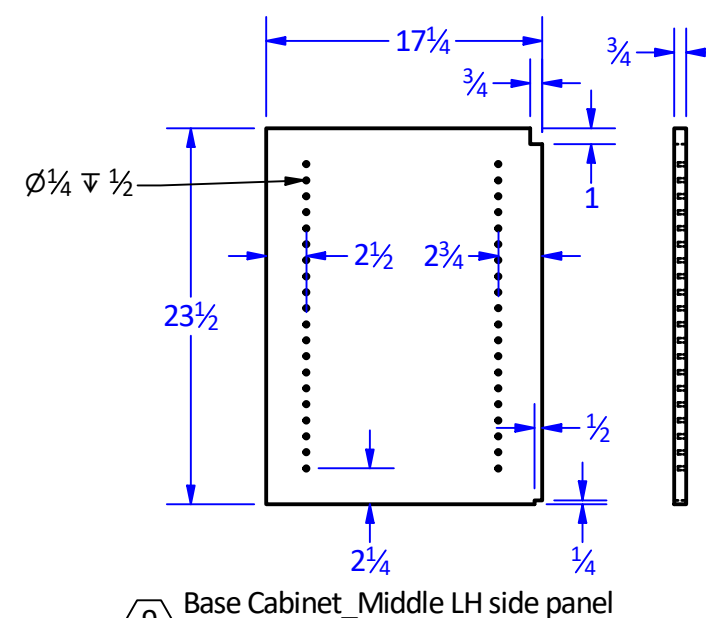
Revision:  
00



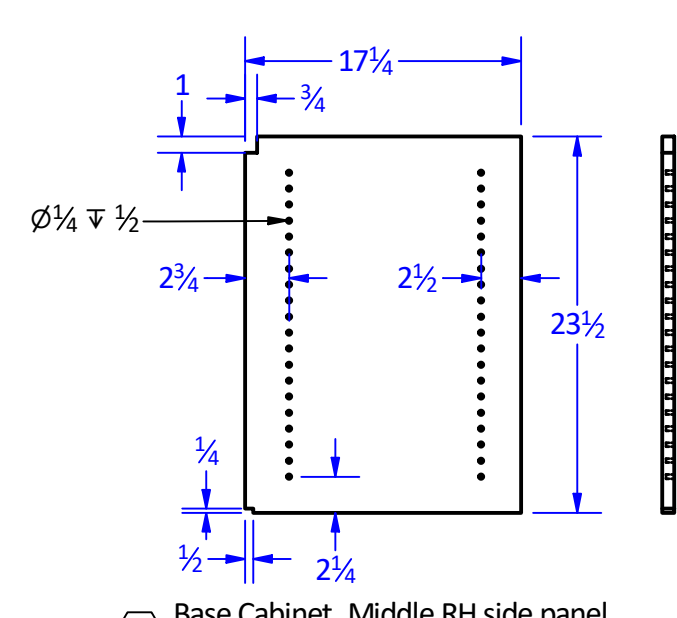
7 Base Cabinet\_LH side panel  
Scale 1":1'



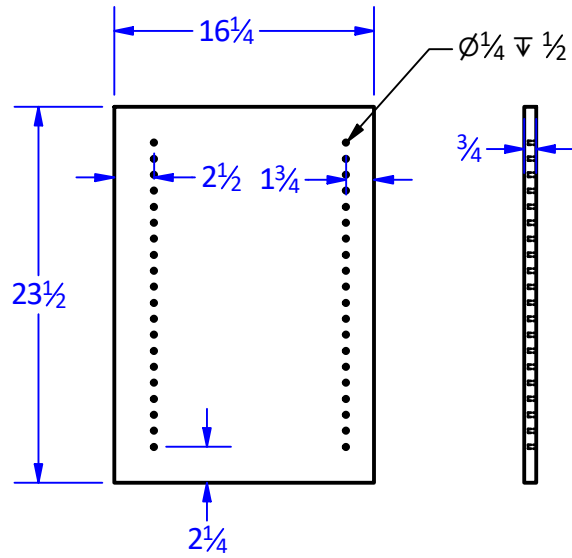
8 Base Cabinet\_RH side panel  
Scale 1":1'



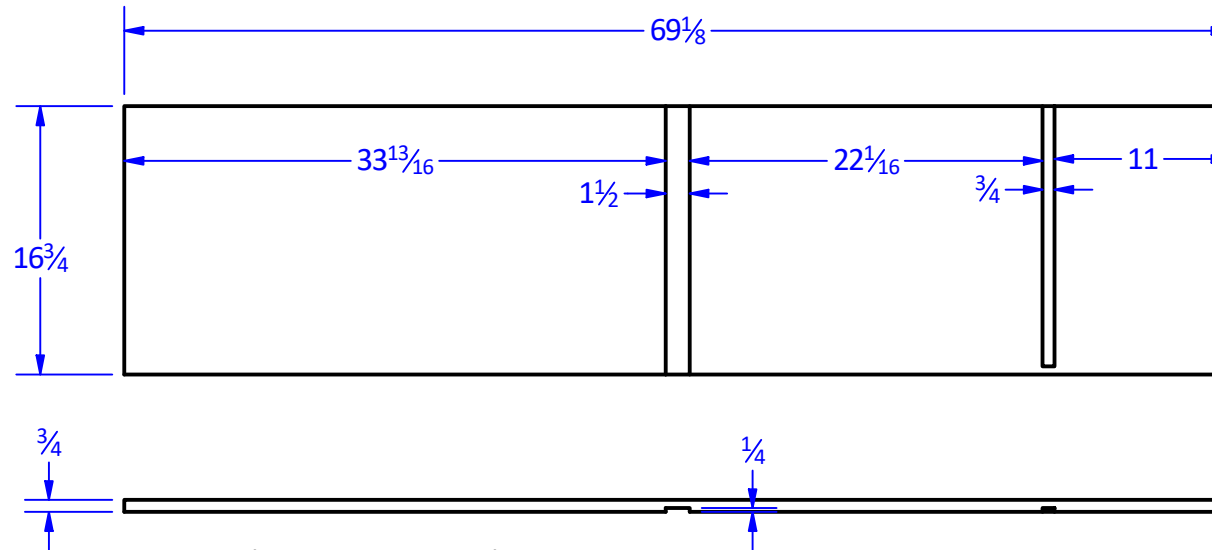
9 Base Cabinet\_Middle LH side panel  
Scale 1":1'



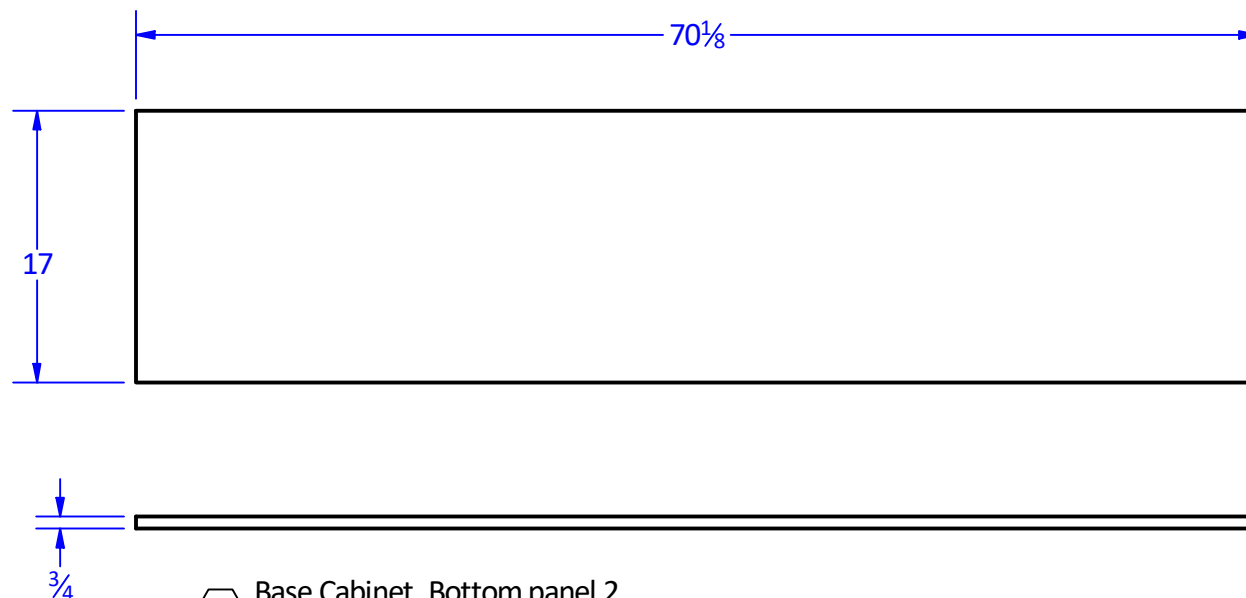
10 Base Cabinet\_Middle RH side panel  
Scale 1":1'



11 Base Cabinet\_Middle RH Door side panel  
Scale 1":1'



12 Base Cabinet\_Bottom panel 1  
Scale 1":1'



13 Base Cabinet\_Bottom panel 2  
Scale 1":1'



**Hi-Tech iSolutions LLP**

Commerce House-4,  
9th Floor, Prahaladnagar, Ahmedabad  
Phone:+91-794-000-3000  
www.hitechdigital.com

Client :

Address:

Title:  
Curation Station

**Issued for Approval**

Design Architect:

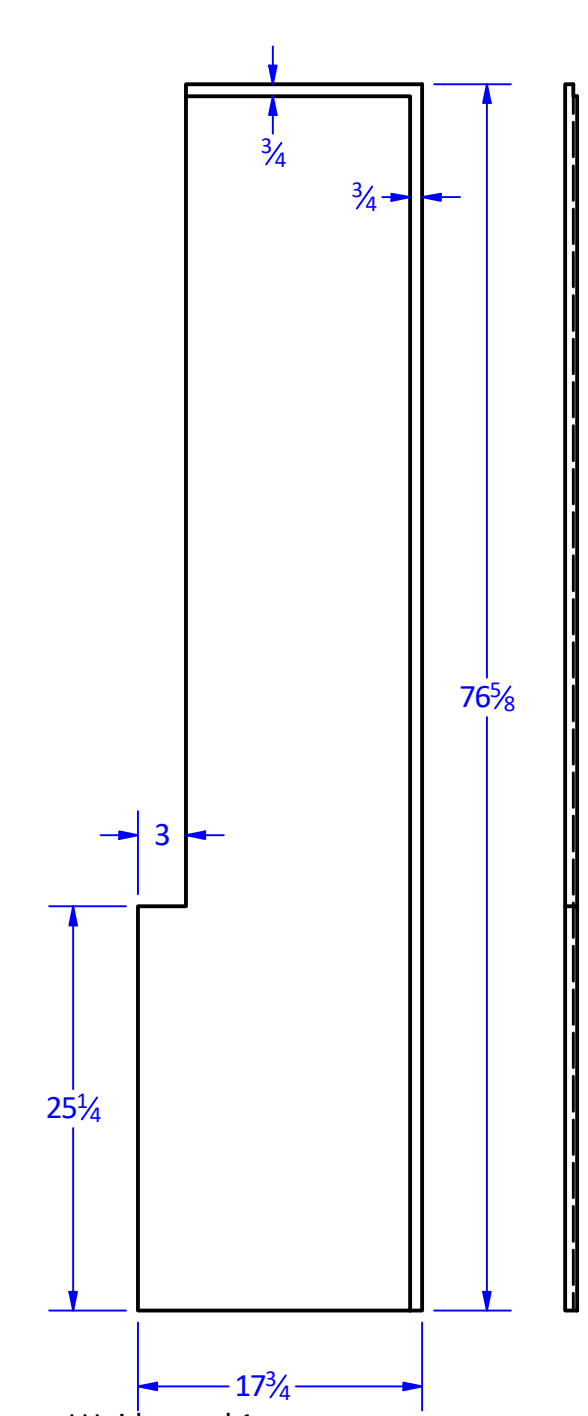
Scale @ A1: 1"=1'

Drawn By: HT

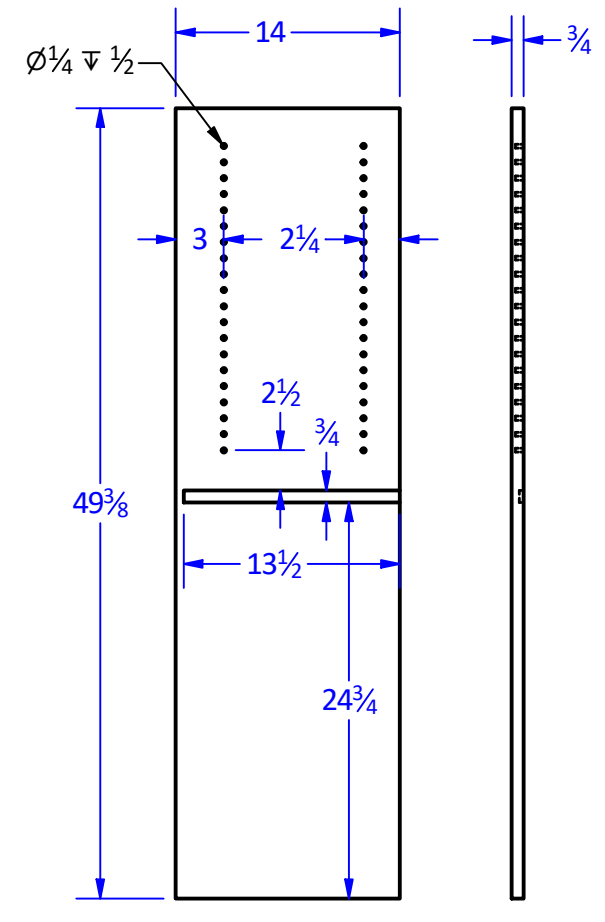
Date: 01-18-2021

Drawing No:  
HISES-3002-007

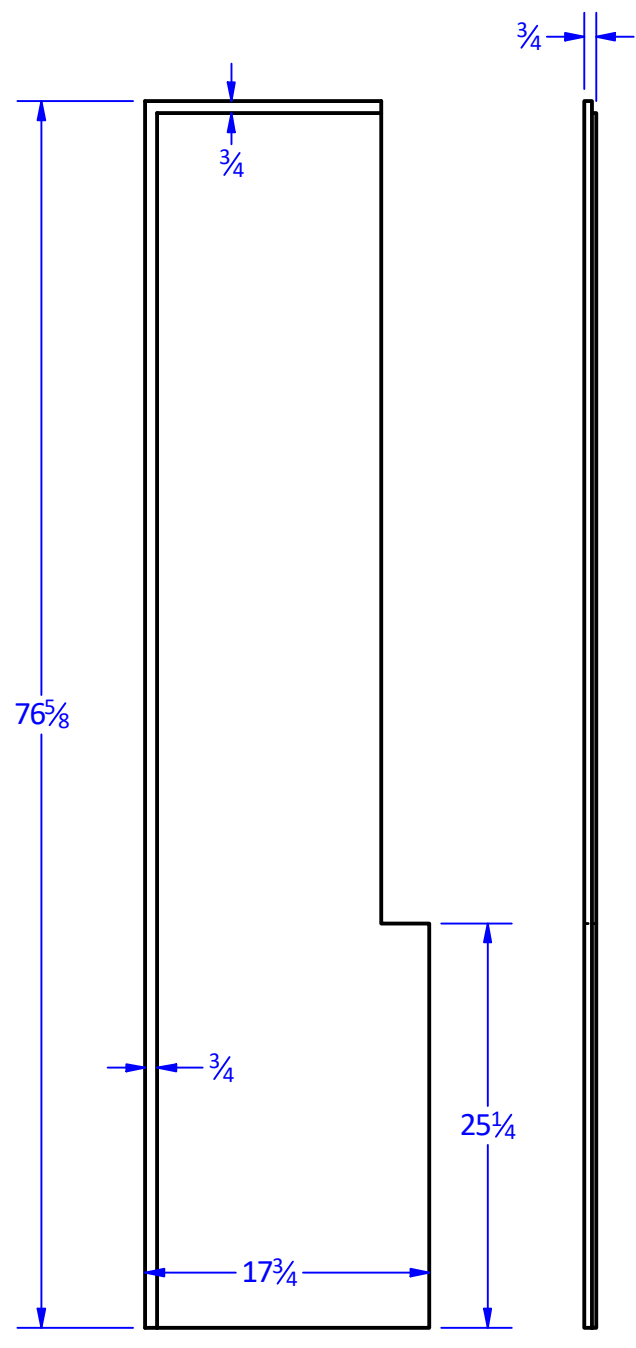
Revision:  
00



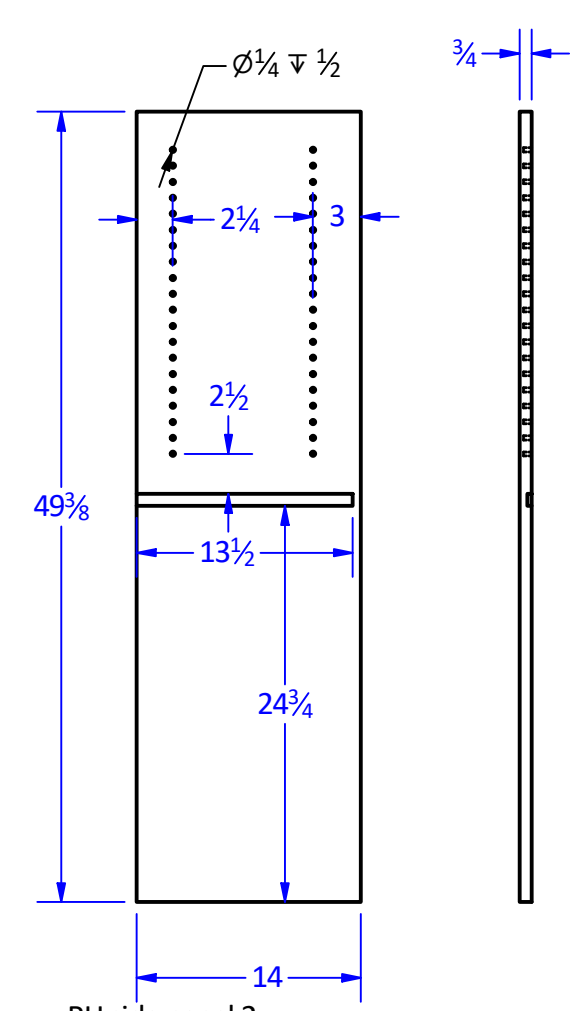
14 LH side panel 1  
Scale 1":1'



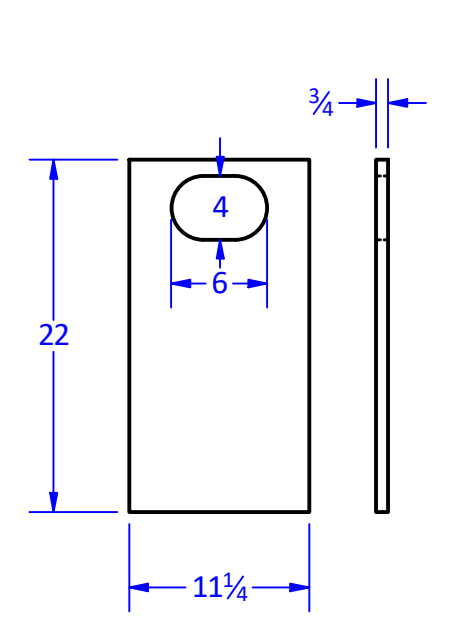
15 LH side panel 2  
Scale 1":1'



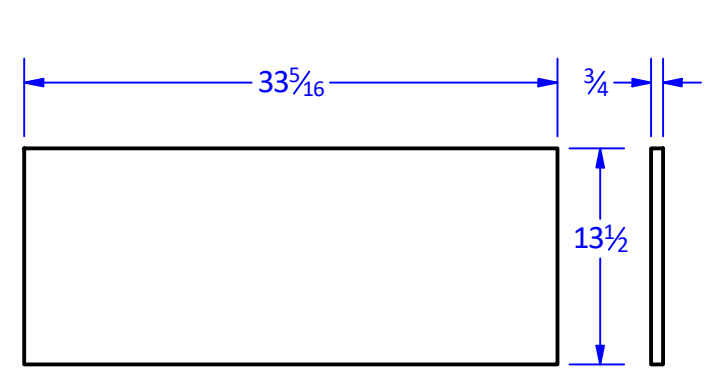
16 RH side panel 1  
Scale 1":1'



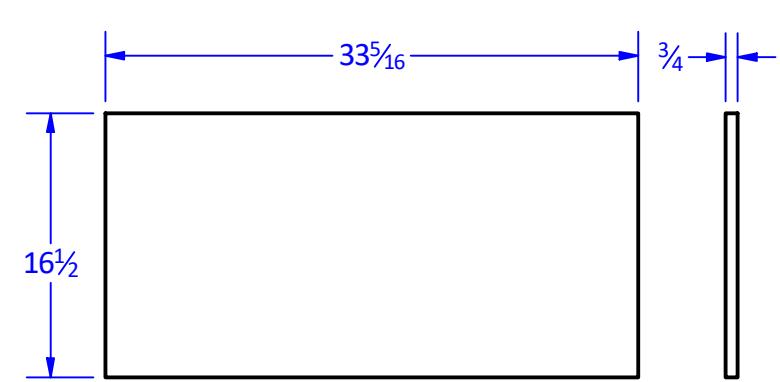
17 RH side panel 2  
Scale 1":1'



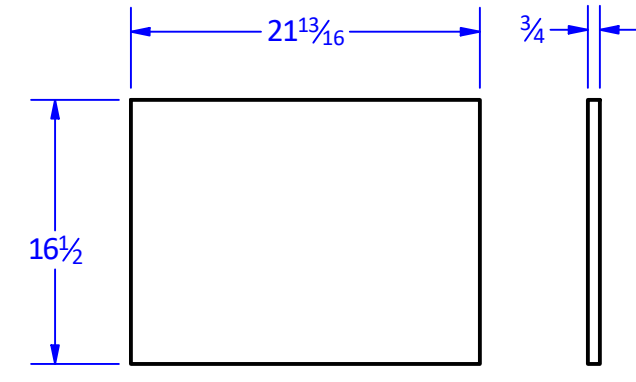
18 Base Cabinet Door  
Scale 1":1'



19 Adjustable Shelf 1  
Scale 1":1'



20 Adjustable Shelf 2  
Scale 1":1'



21 Adjustable Shelf 3  
Scale 1":1'

**hitech**  
Your Trusted Outsourcing Partner

**Hi-Tech iSolutions LLP**  
Commerce House-4,  
9th Floor, Prahaladnagar, Ahmedabad  
Phone:+91-794-000-3000  
www.hitechdigital.com

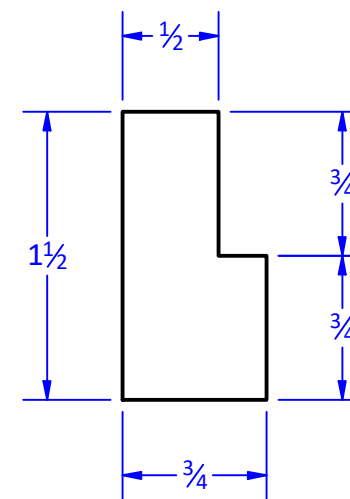
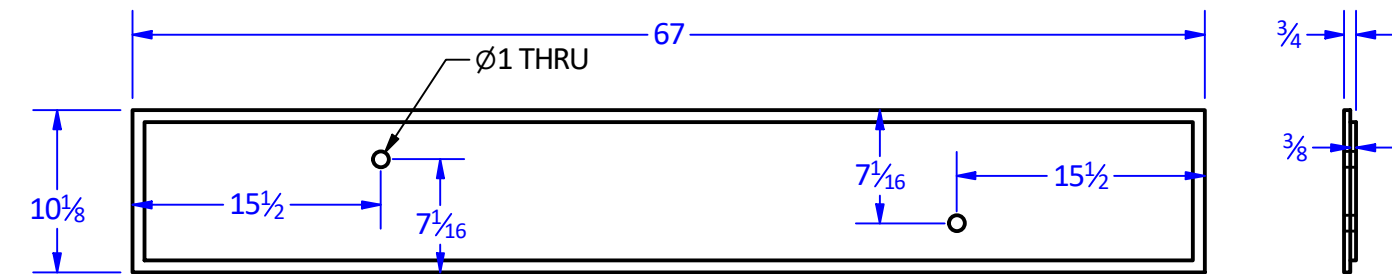
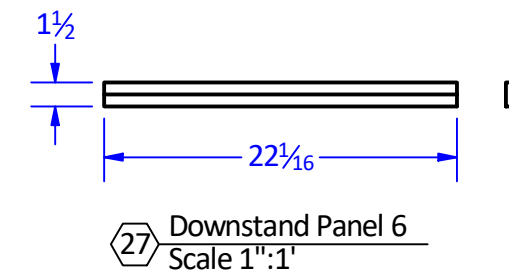
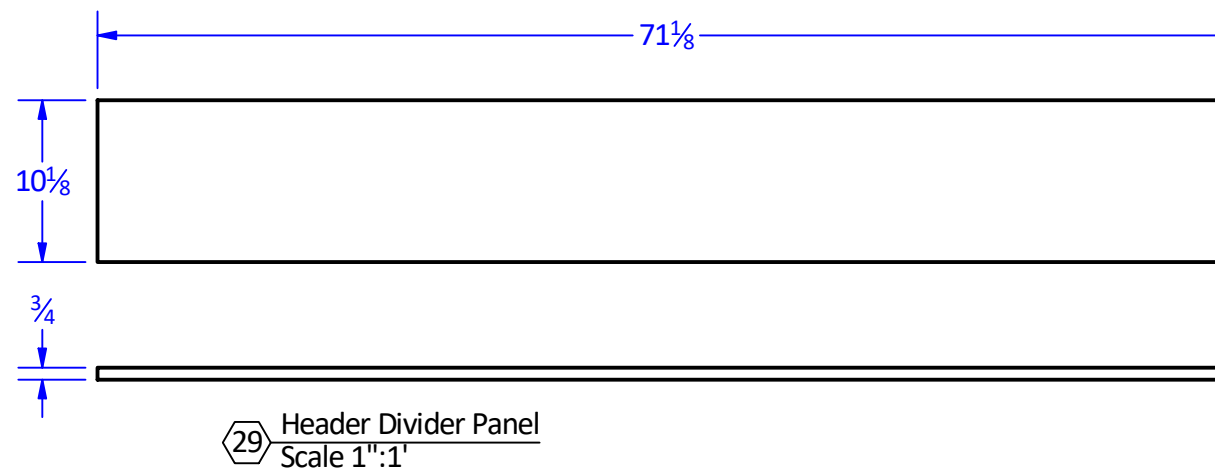
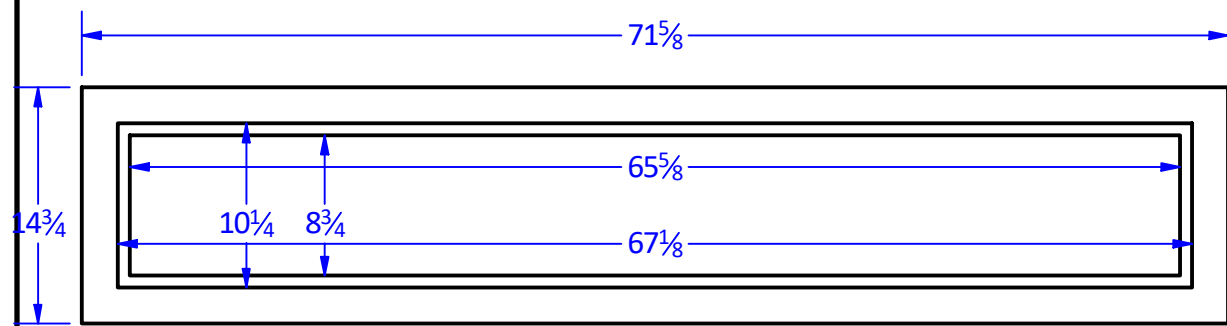
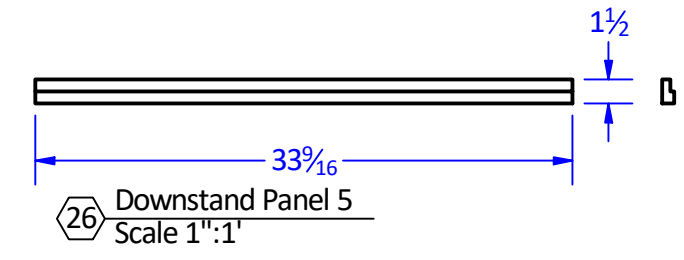
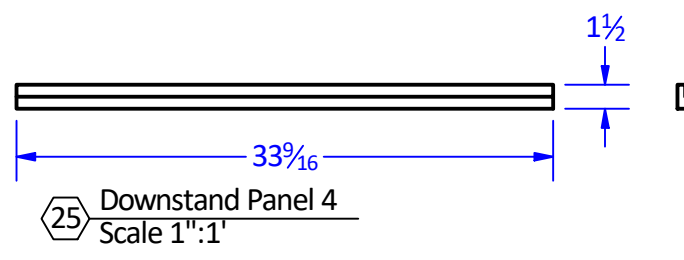
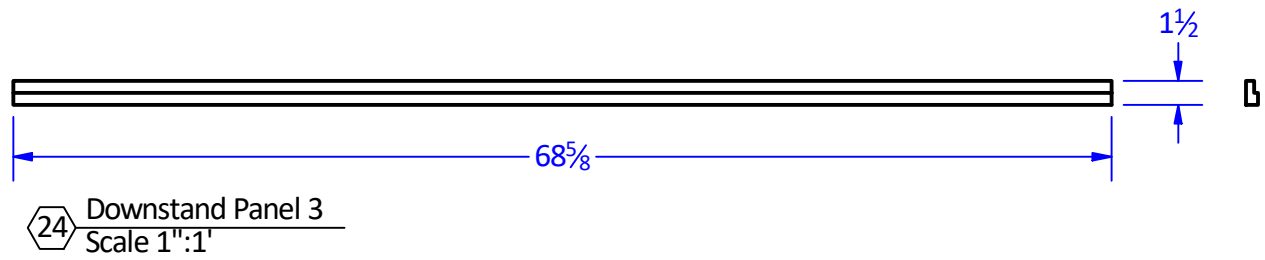
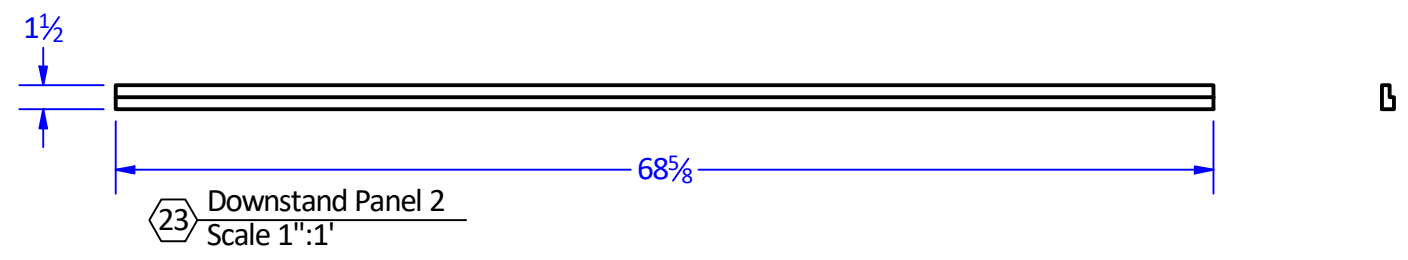
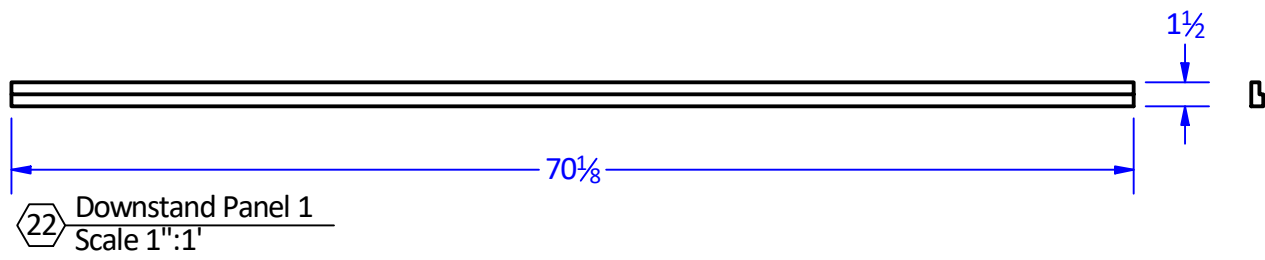
Client :  
Address:  
Title:  
**Curation Station**

**Issued for Approval**

Design Architect:  
Scale @ A1: 1"=1'  
Drawn By: HT  
Date: 01-18-2021

Drawing No: HISES-3002-008  
Revision: 00





**hitech**  
Your Trusted Outsourcing Partner

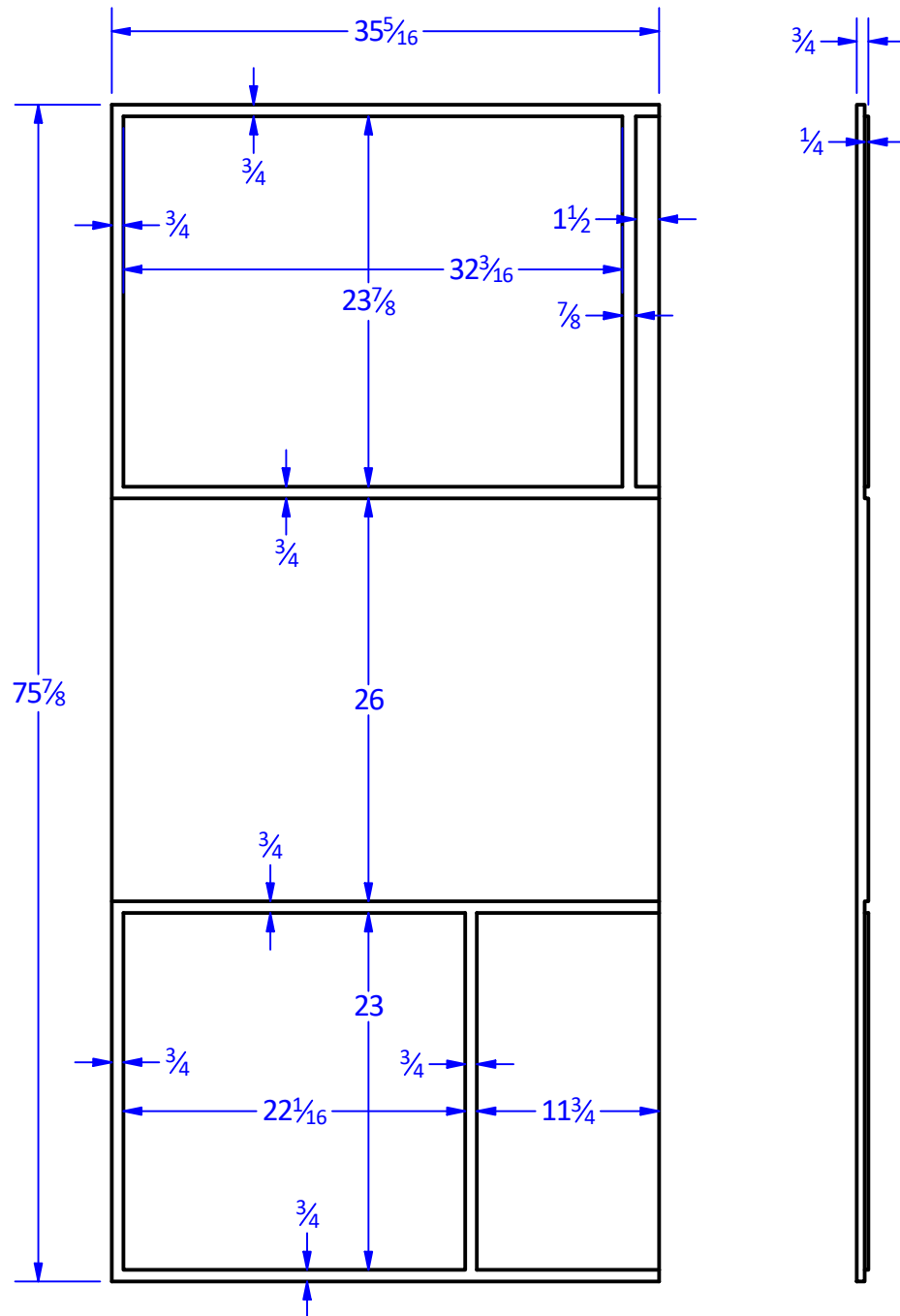
**Hi-Tech iSolutions LLP**  
Commerce House-4,  
9th Floor, Prahaladnagar, Ahmedabad  
Phone:+91-794-000-3000  
www.hitechdigital.com

Client : \_\_\_\_\_  
Address: \_\_\_\_\_  
Title: **Curation Station**

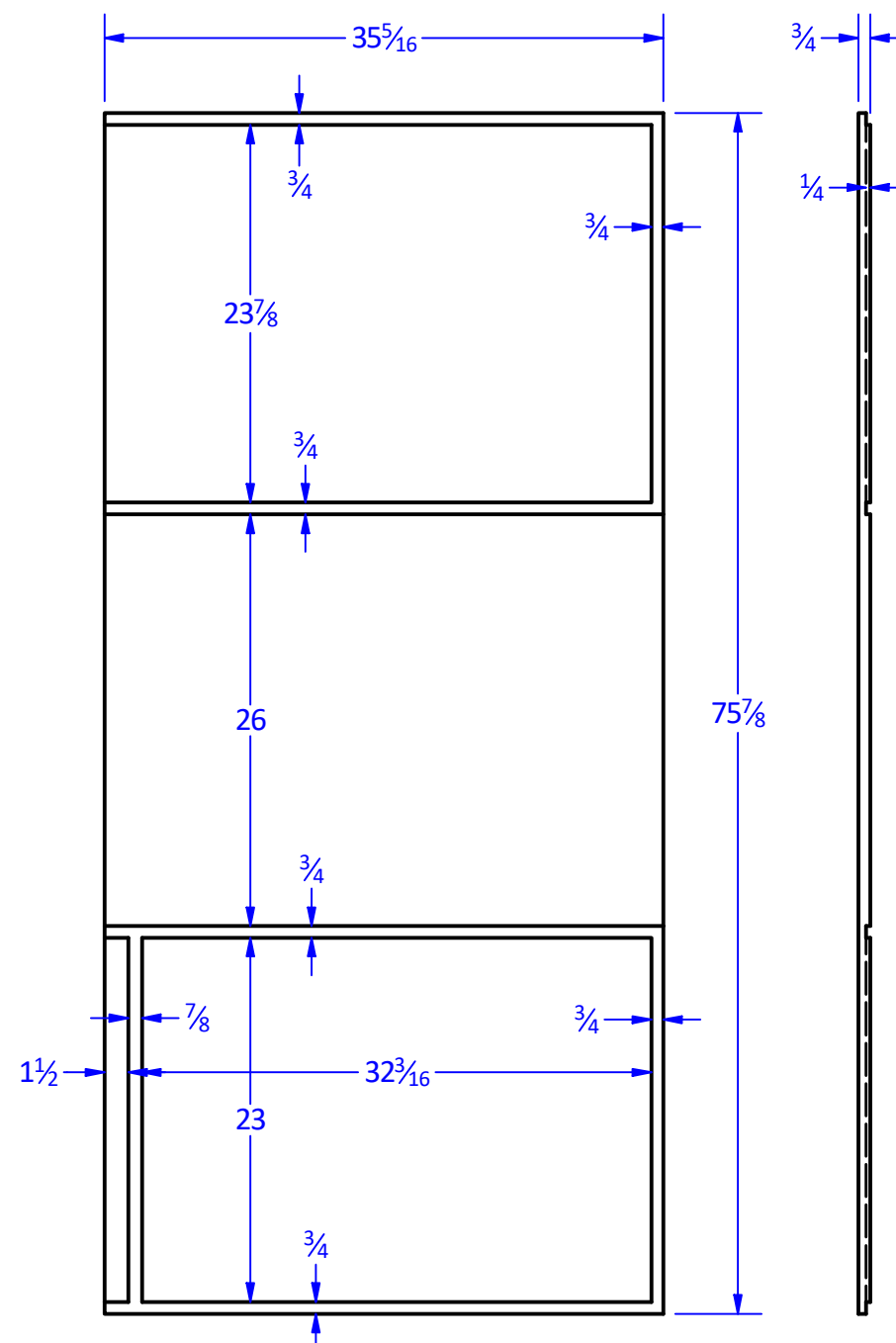
**Issued for Approval**

Design Architect: \_\_\_\_\_  
Scale @ A1: 1"=1'  
Drawn By: HT  
Date: 01-18-2021

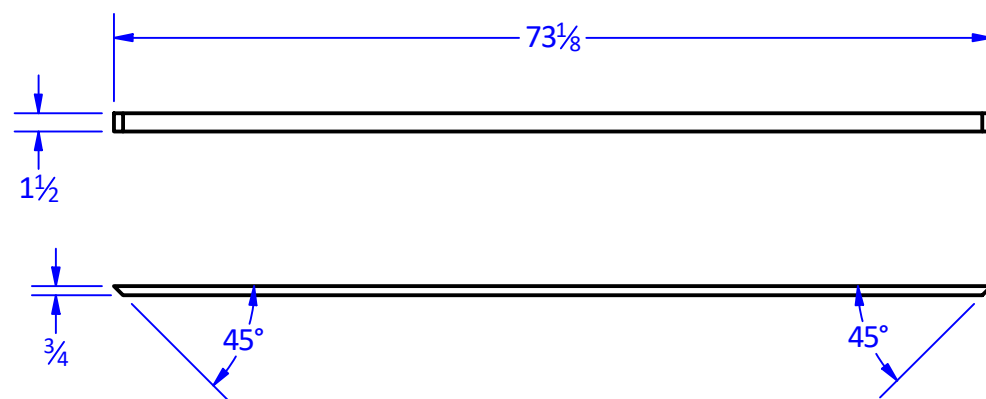
Drawing No: HISES-3002-009      Revision: 00



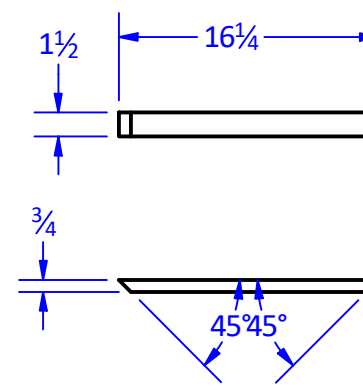
31 Back Panel -1  
Scale 1":1'



32 Back Panel -2  
Scale 1":1'



33 Strip Long  
Scale 1":1'



34 Strip Short  
Scale 1":1'



**Hi-Tech iSolutions LLP**

Commerce House-4,  
9th Floor, Prahaladnagar, Ahmedabad  
Phone:+91-794-000-3000  
www.hitechdigital.com

Client :

Address:

Title:  
Curation Station

**Issued for Approval**

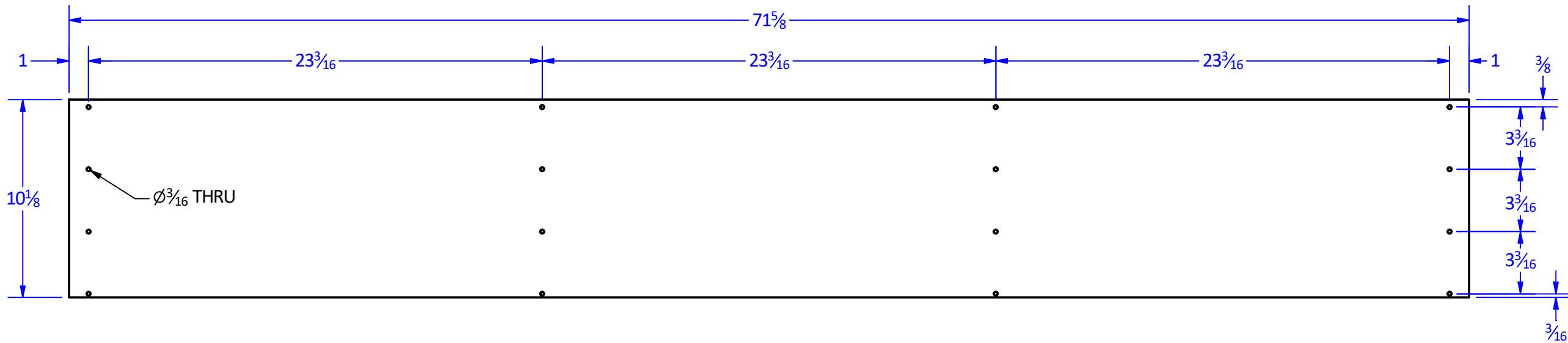
Design Architect:

Scale @ A1: 1"=1'

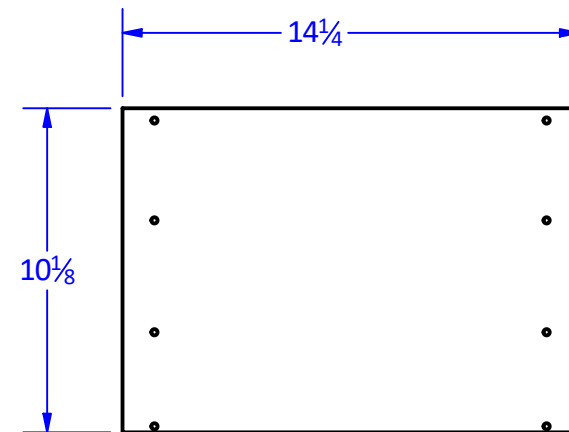
Drawn By: HT

Date: 01-18-2021

Drawing No: HISES-3002-010  
Revision: 00



35 TransLucent Panel Long  
Scale 2":1'



36 TransLucent Panel Short  
Scale 2":1'



**Hi-Tech iSolutions LLP**

Commerce House-4,  
9th Floor, Prahaladnagar, Ahmedabad  
Phone:+91-794-000-3000  
www.hitechdigital.com

Client :

Address:

Title:  
Curation Station

**Issued for Approval**

Design Architect:

Scale @ A1: 1"=1'

Drawn By: HT

Date: 01-18-2021

Drawing No: HISES-3002-011	Revision: 00
-------------------------------	-----------------