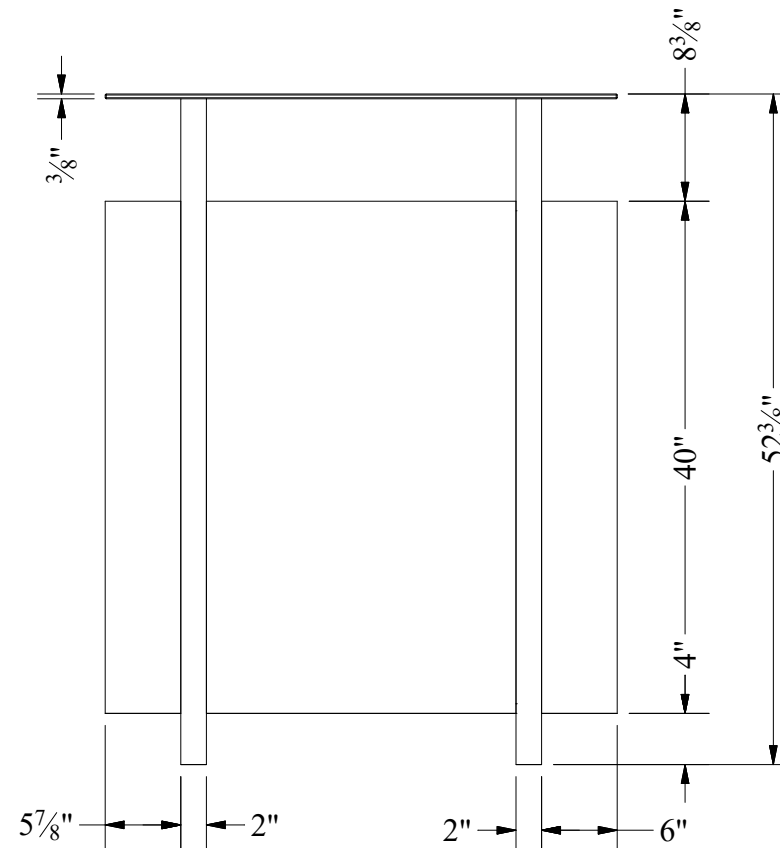
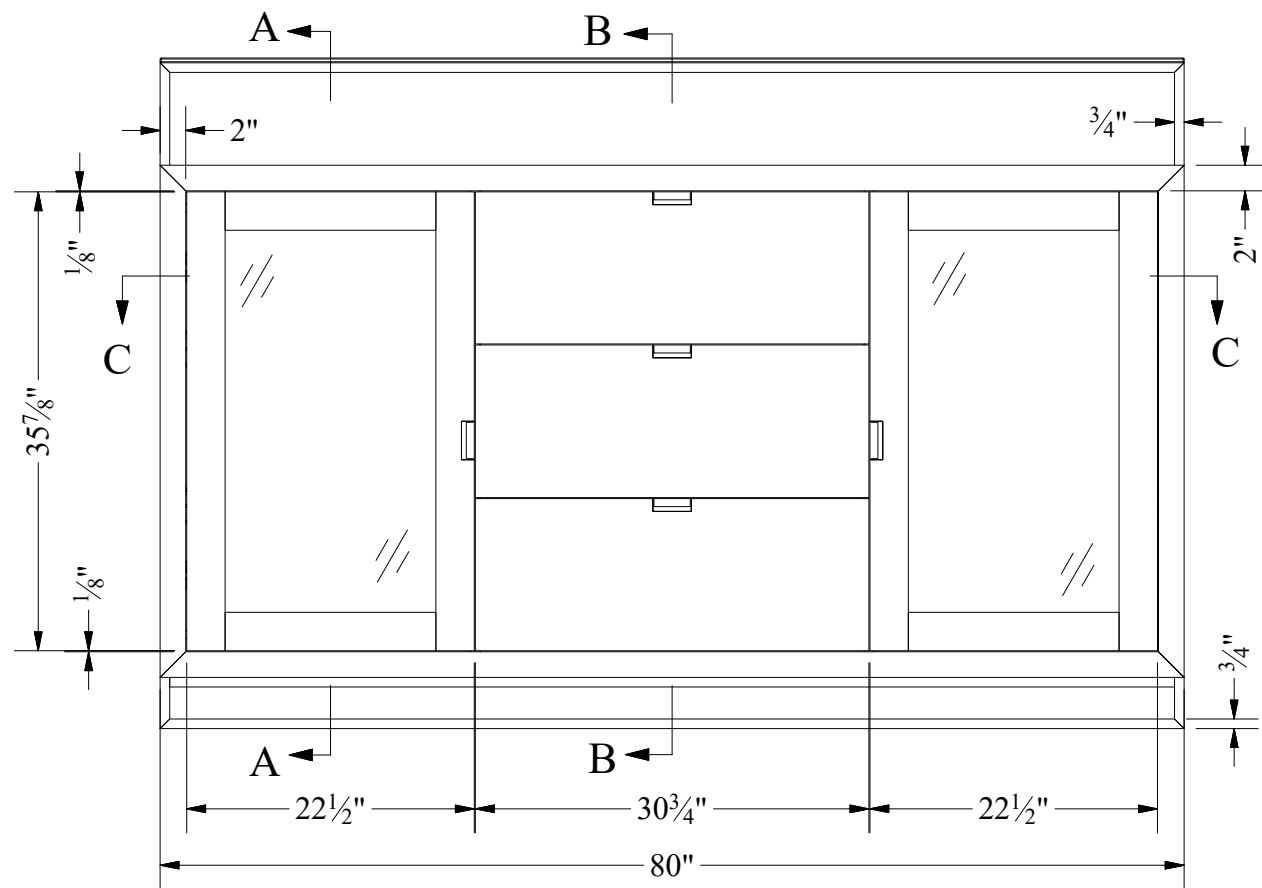
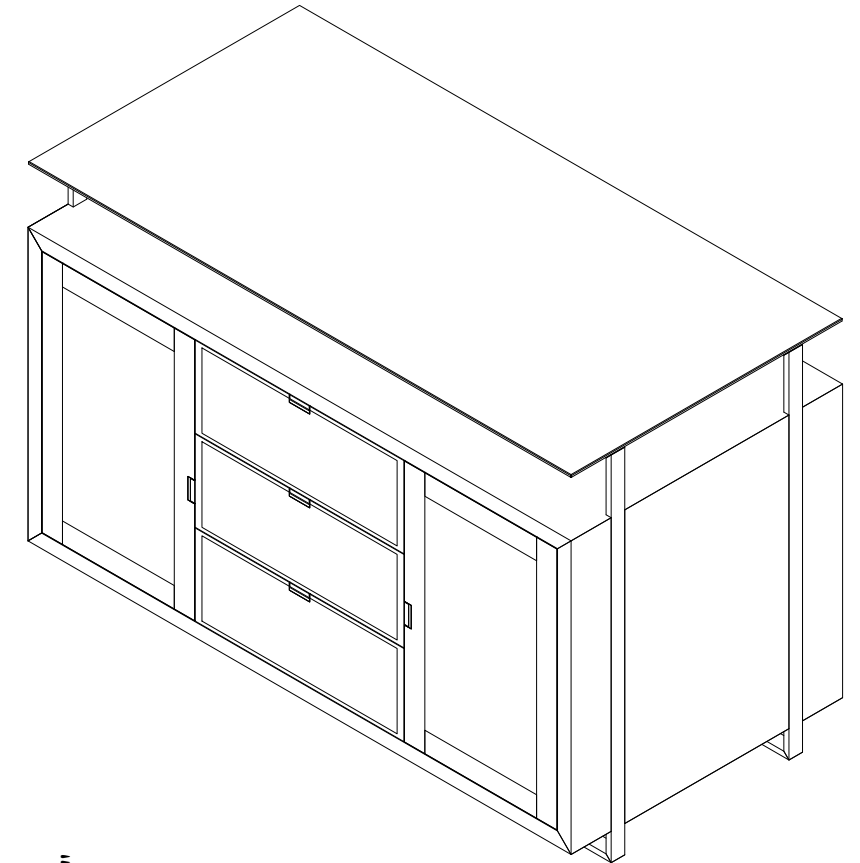
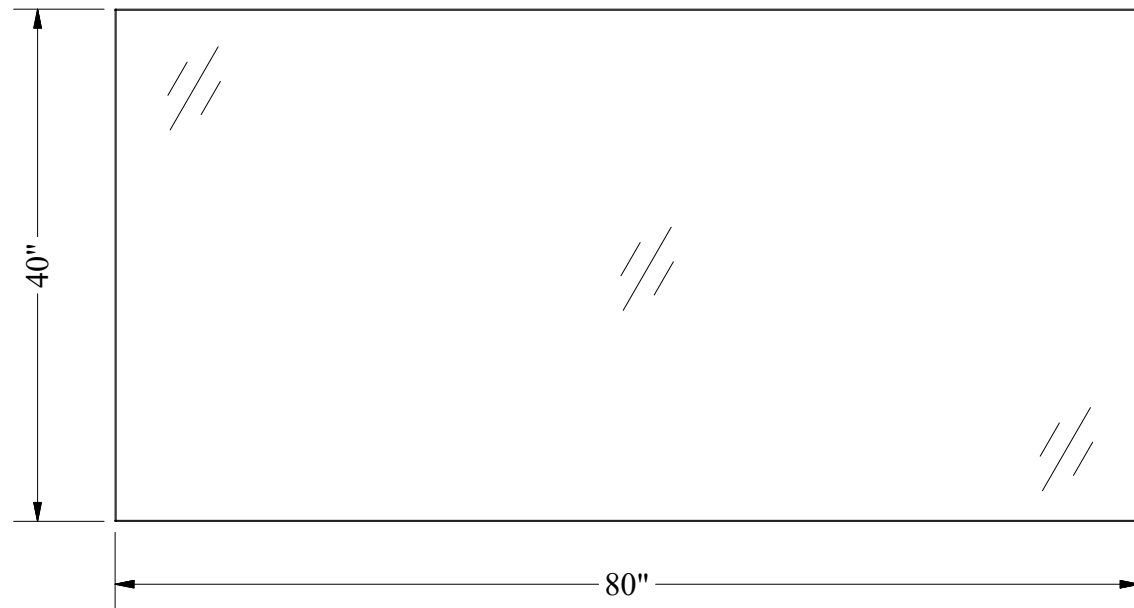


REV:	DESCRIPTION	BY:	DATE:


Hi-Tech iSolutions LLP
 Commerce House-4,
 9th Floor, Prahaladnagar, Ahmedabad
 Phone:+91-794-000-3000
 www.hitechdigital.com

TITLE: GLASS TOP TABLE

JOB#:	DRAWN:	REV:
10-000	Hi-Tech	
DATE:	SCALE:	PAGE:
12-23-2020	1/12	1 of 52

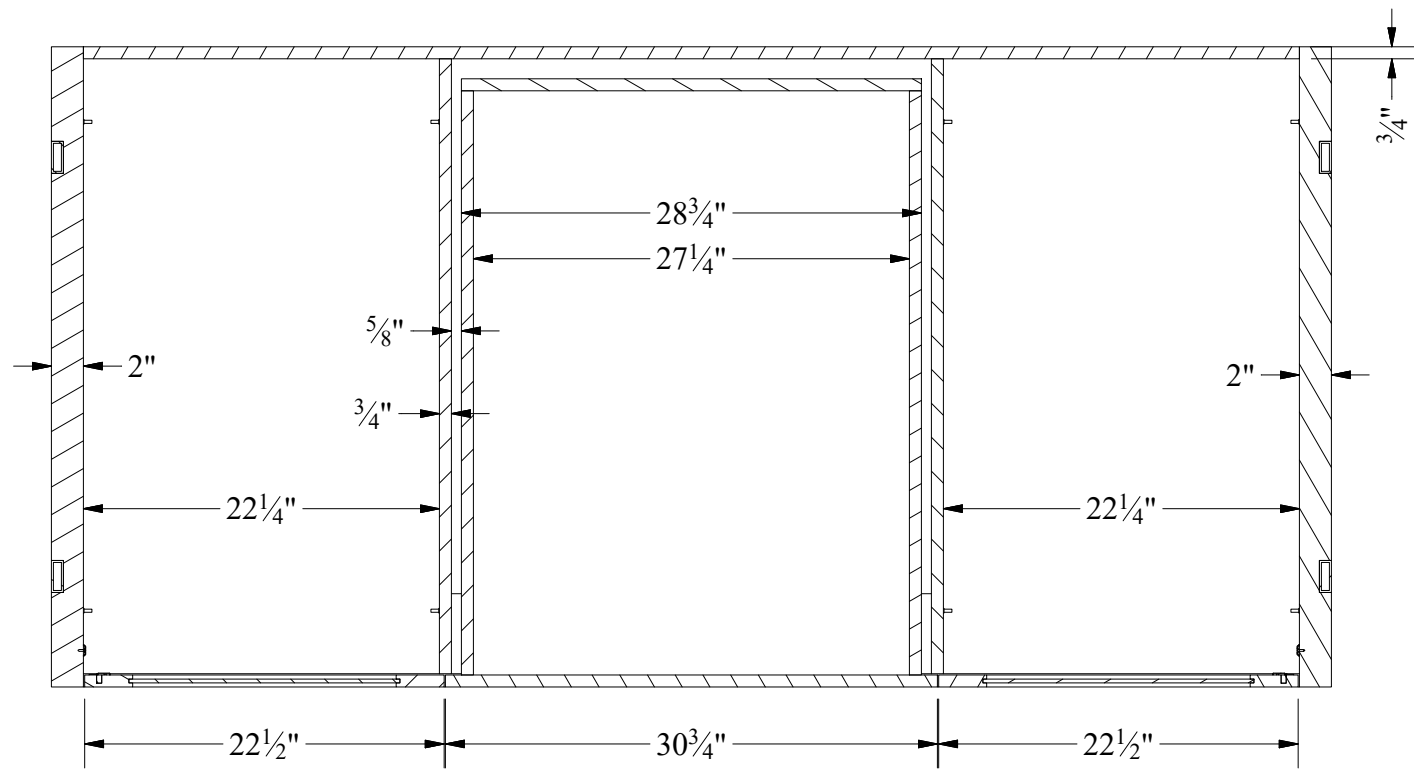


REV:	DESCRIPTION	BY:	DATE:

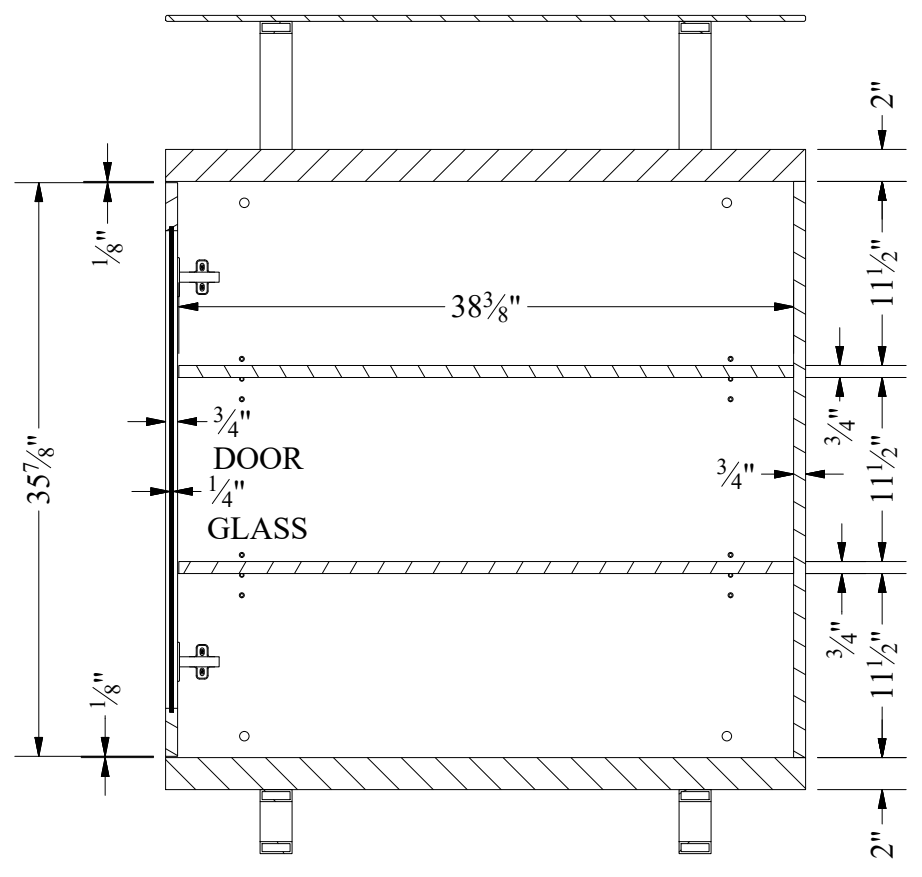
Hi-Tech iSolutions LLP
 Commerce House-4,
 9th Floor, Prahaladnagar, Ahmedabad
 Phone: +91-794-000-3000
 www.hitechdigital.com

TITLE: GLASS TOP TABLE

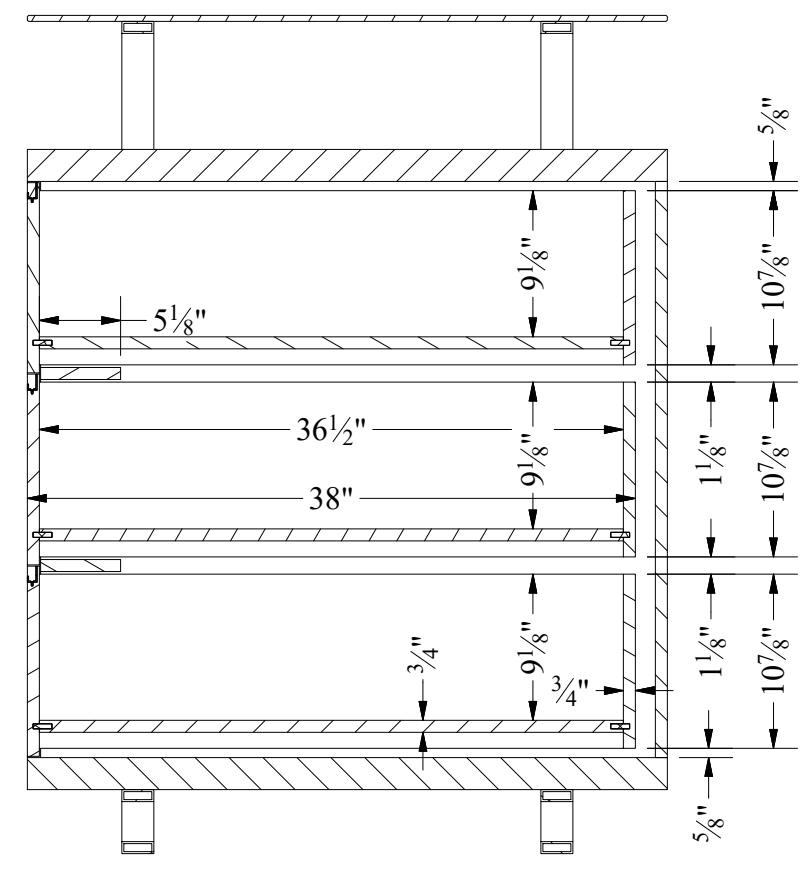
JOB#: 10-000	DRAWN: Hi-Tech	REV:
DATE: 12-23-2020	SCALE: 1/15	PAGE: 2 of 52



SECTION C-C



SECTION A-A



SECTION B-B

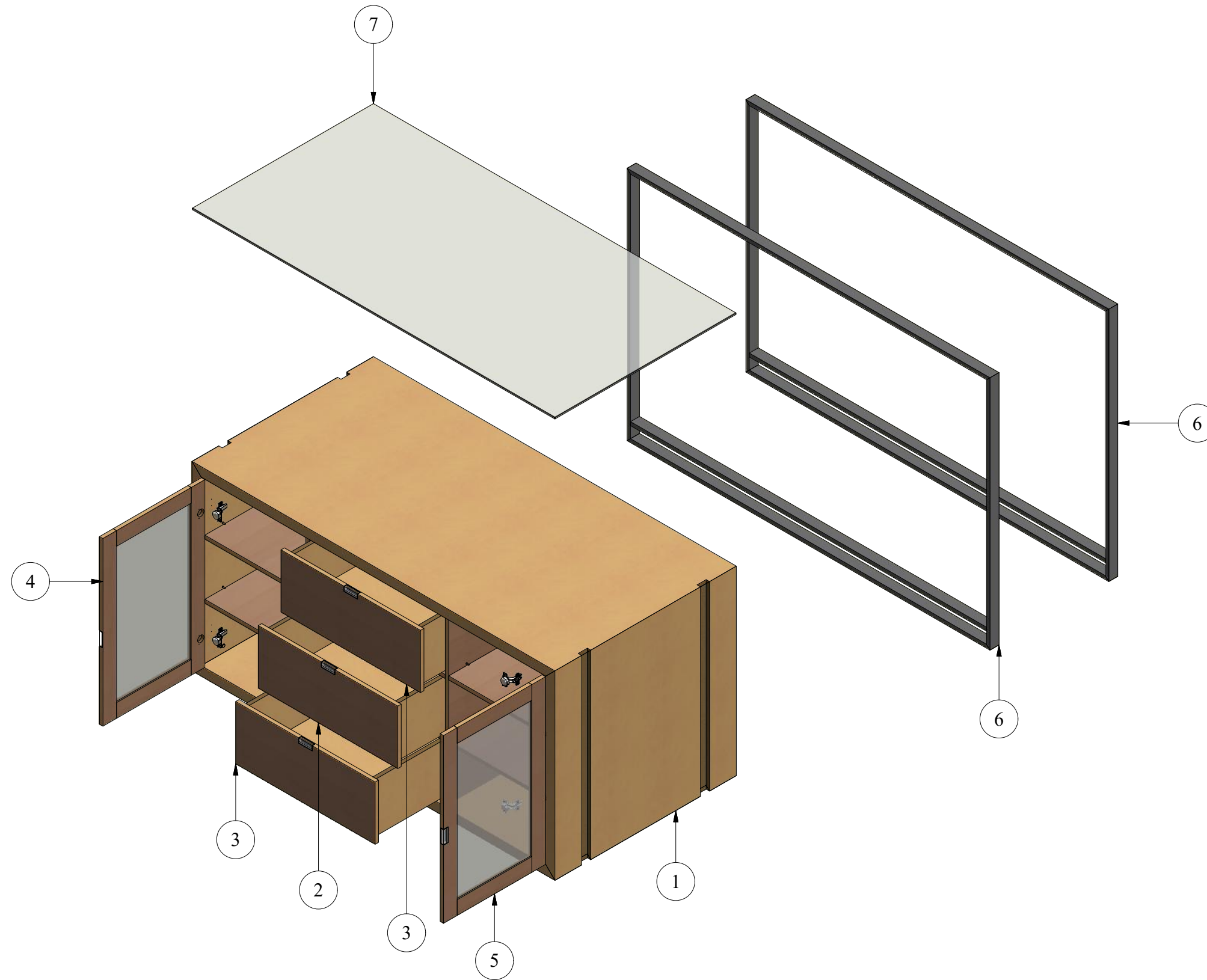
REV:	DESCRIPTION	BY:	DATE:

Hi-Tech iSolutions LLP
 Commerce House-4,
 9th Floor, Prahaladnagar, Ahmedabad
 Phone: +91-794-000-3000
 www.hitechdigital.com

TITLE: GLASS TOP TABLE

JOB#: 10-000	DRAWN: Hi-Tech	REV:
DATE: 12-23-2020	SCALE: 1/12	PAGE: 3 of 52

PARTS LIST			
ITEM	PART NUMBER	DESCRIPTION	QTY
1	01	DESK FRAME	1
2	02	DRAWER 1	1
3	03	DRAWER 2	2
4	04	LEFT DOOR	1
5	05	RIGHT DOOR	1
6	06	METAL FRAME	2
7	07	TOP GLASS	1

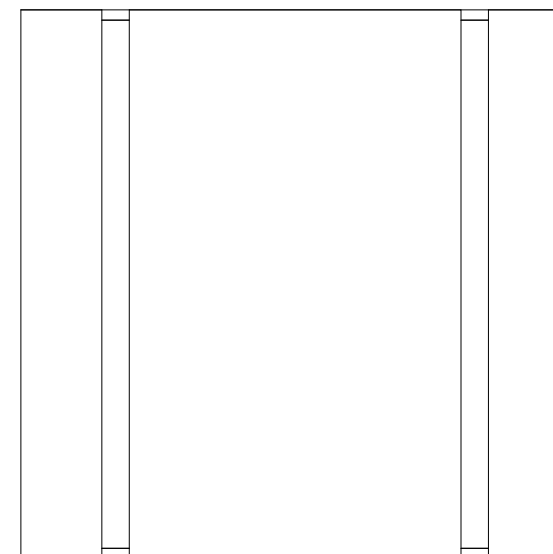
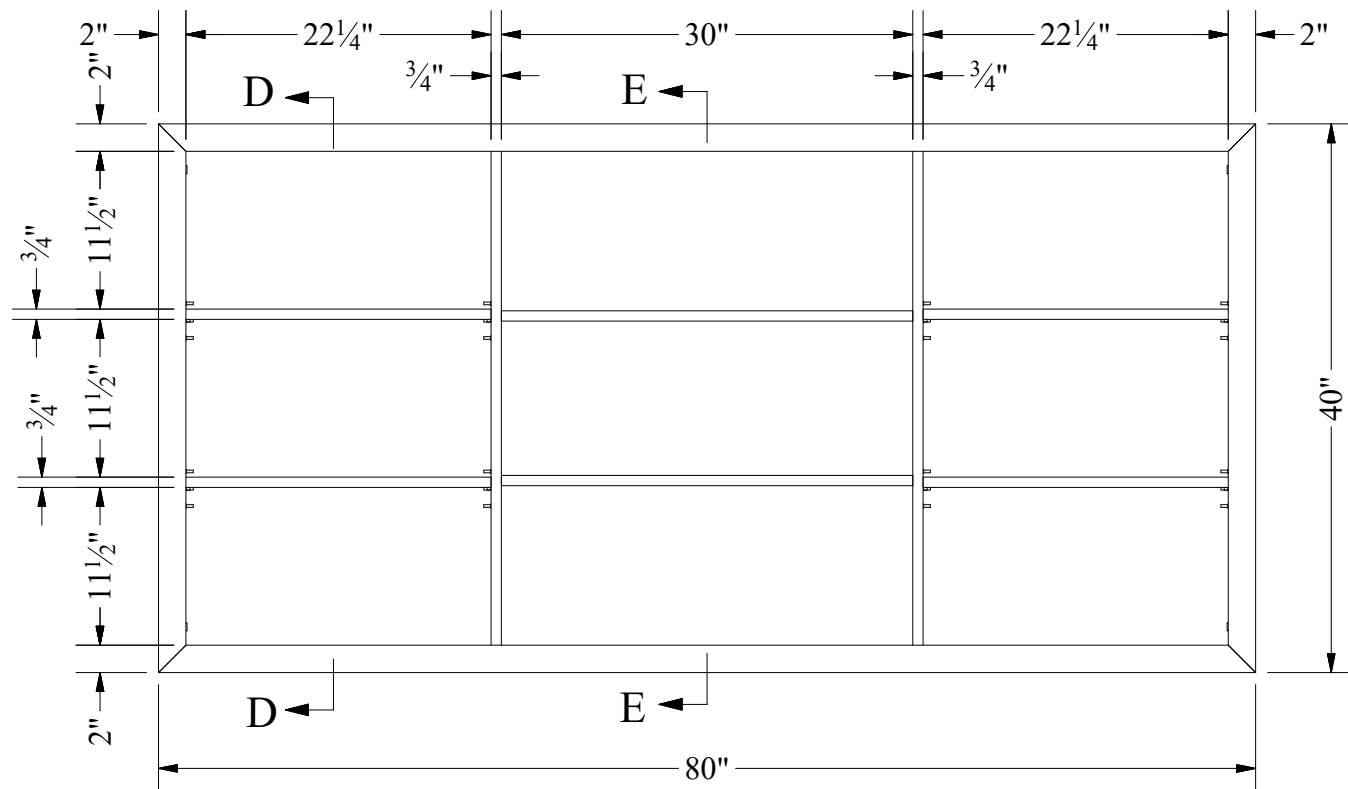
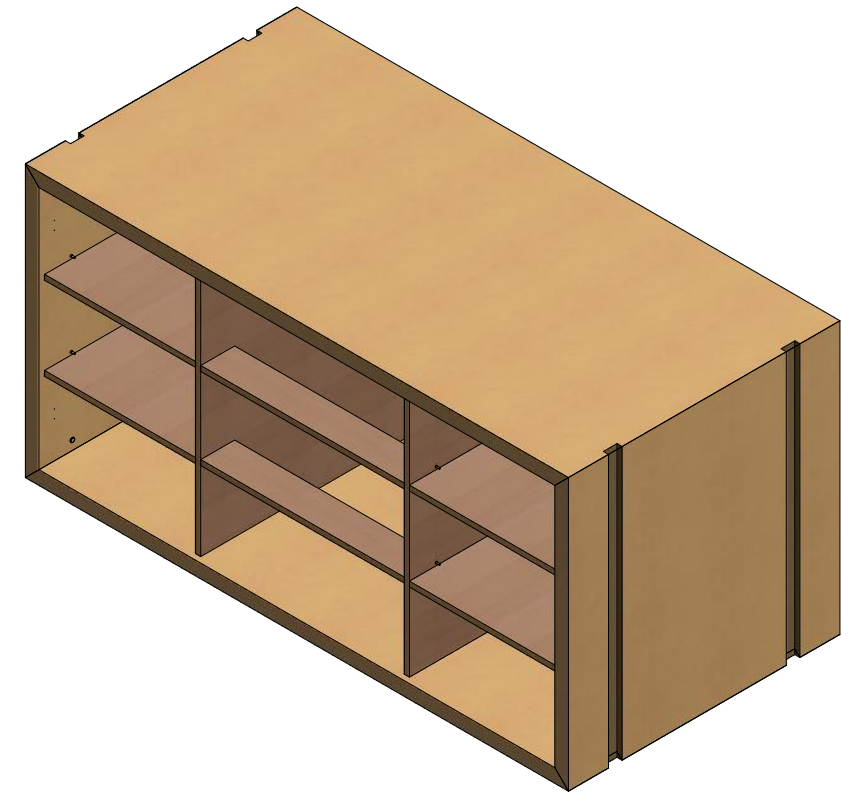
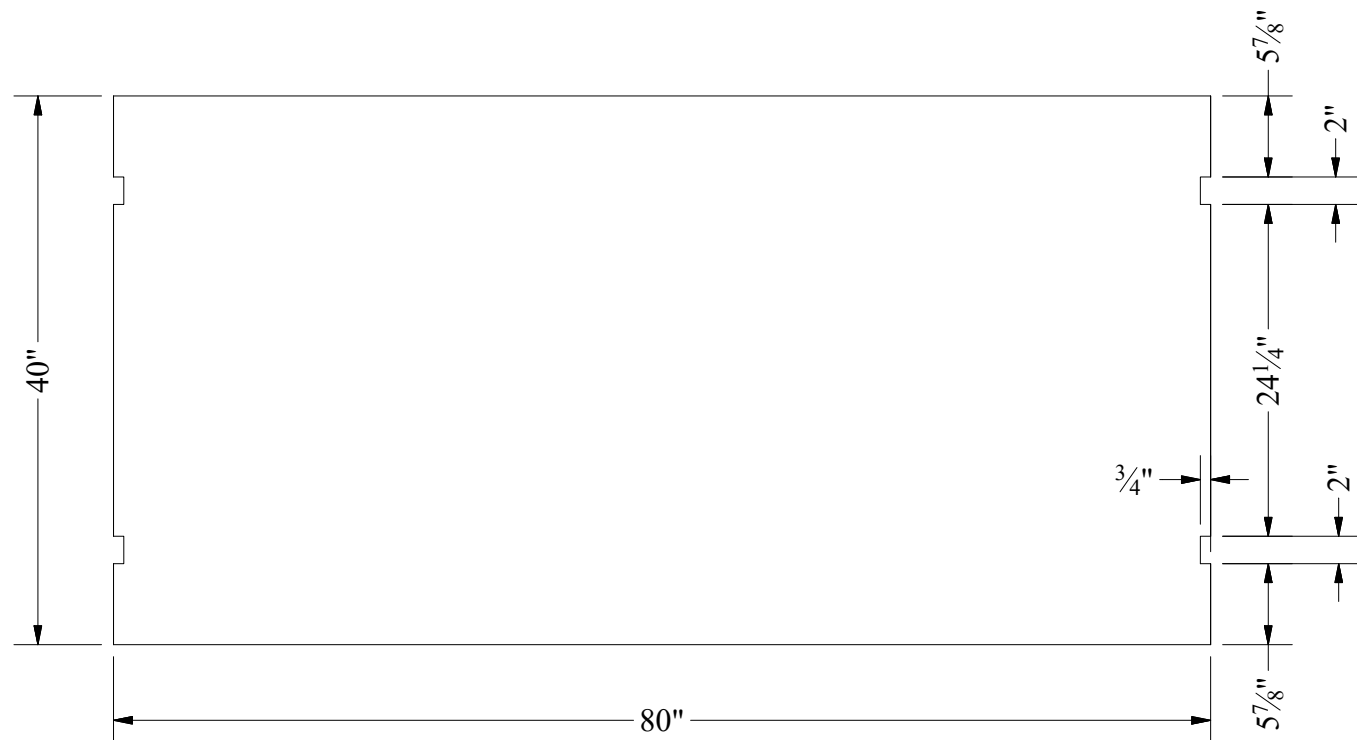


REV:	DESCRIPTION	BY:	DATE:

Hi-Tech iSolutions LLP
 Commerce House-4,
 9th Floor, Prahaladnagar, Ahmedabad
 Phone:+91-794-000-3000
 www.hitechdigital.com

TITLE: GLASS TOP TABLE

JOB#: 10-000	DRAWN: Hi-Tech	REV:
DATE: 12-23-2020	SCALE: 1/18	PAGE: 4 of 52

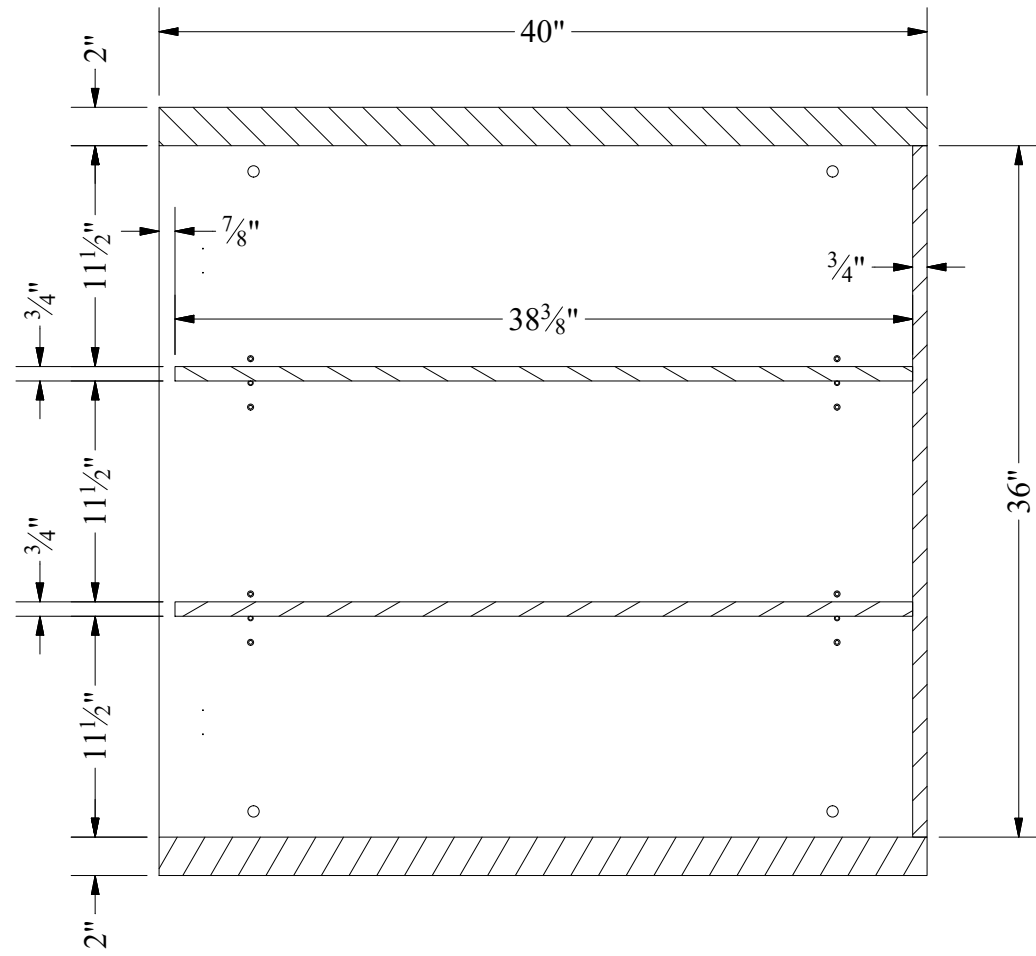


REV:	DESCRIPTION	BY:	DATE:

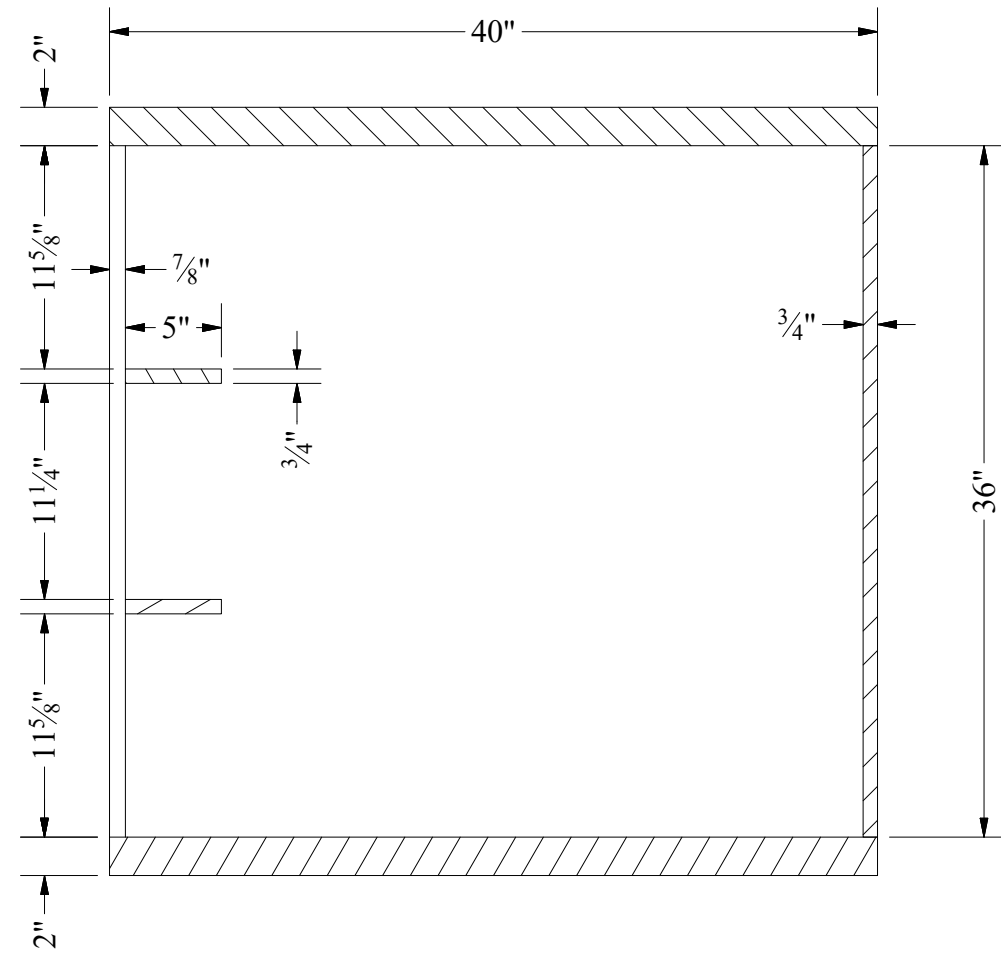

Hi-Tech iSolutions LLP
 Commerce House-4,
 9th Floor, Prahaladnagar, Ahmedabad
 Phone: +91-794-000-3000
 www.hitechdigital.com

TITLE: GLASS TOP TABLE

JOB#: 10-000	DRAWN: Hi-Tech	REV:
DATE: 12-23-2020	SCALE: 1/14	PAGE: 5 of 52



SECTION D-D



SECTION E-E

REV:	DESCRIPTION	BY:	DATE:

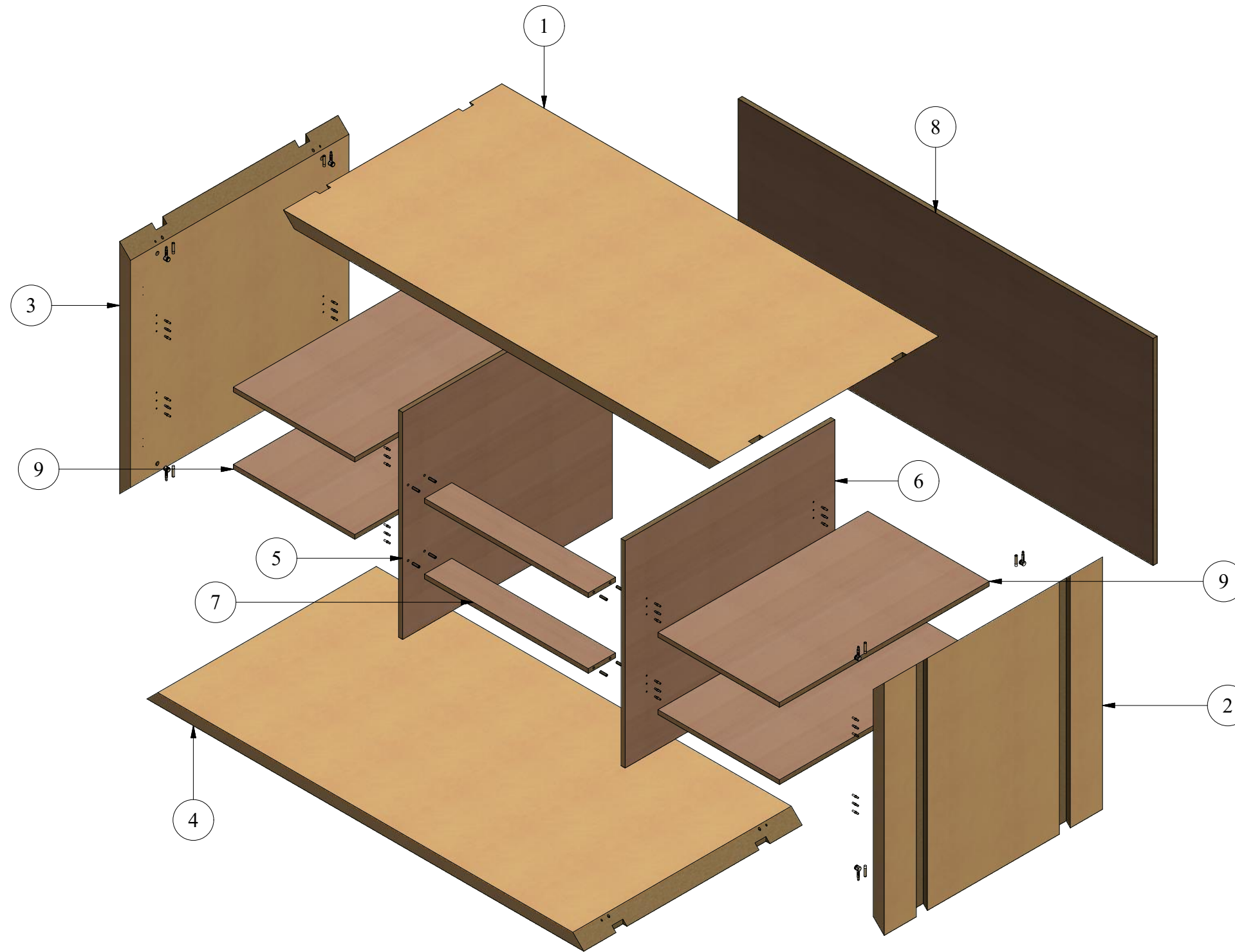

Hi-Tech iSolutions LLP
 Commerce House-4,
 9th Floor, Prahaladnagar, Ahmedabad
 Phone: +91-794-000-3000
 www.hitechdigital.com

TITLE: GLASS TOP TABLE

JOB#:	DRAWN:	REV:
10-000	Hi-Tech	
DATE:	SCALE:	PAGE:
12-23-2020	1/10	6 of 52

PARTS LIST

ITEM	PART NUMBER	DESCRIPTION	QTY
1	01-001	FRAME PANEL 1	1
2	01-002	FRAME PANEL 2	1
3	01-003	FRAME PANEL 3	1
4	01-004	FRAME PANEL 4	1
5	01-005	FRAME PANEL 5	1
6	01-006	FRAME PANEL 6	1
7	01-007	FRAME PANEL 7	2
8	01-008	BACK PANEL	1
9	01-009	SHELF	4



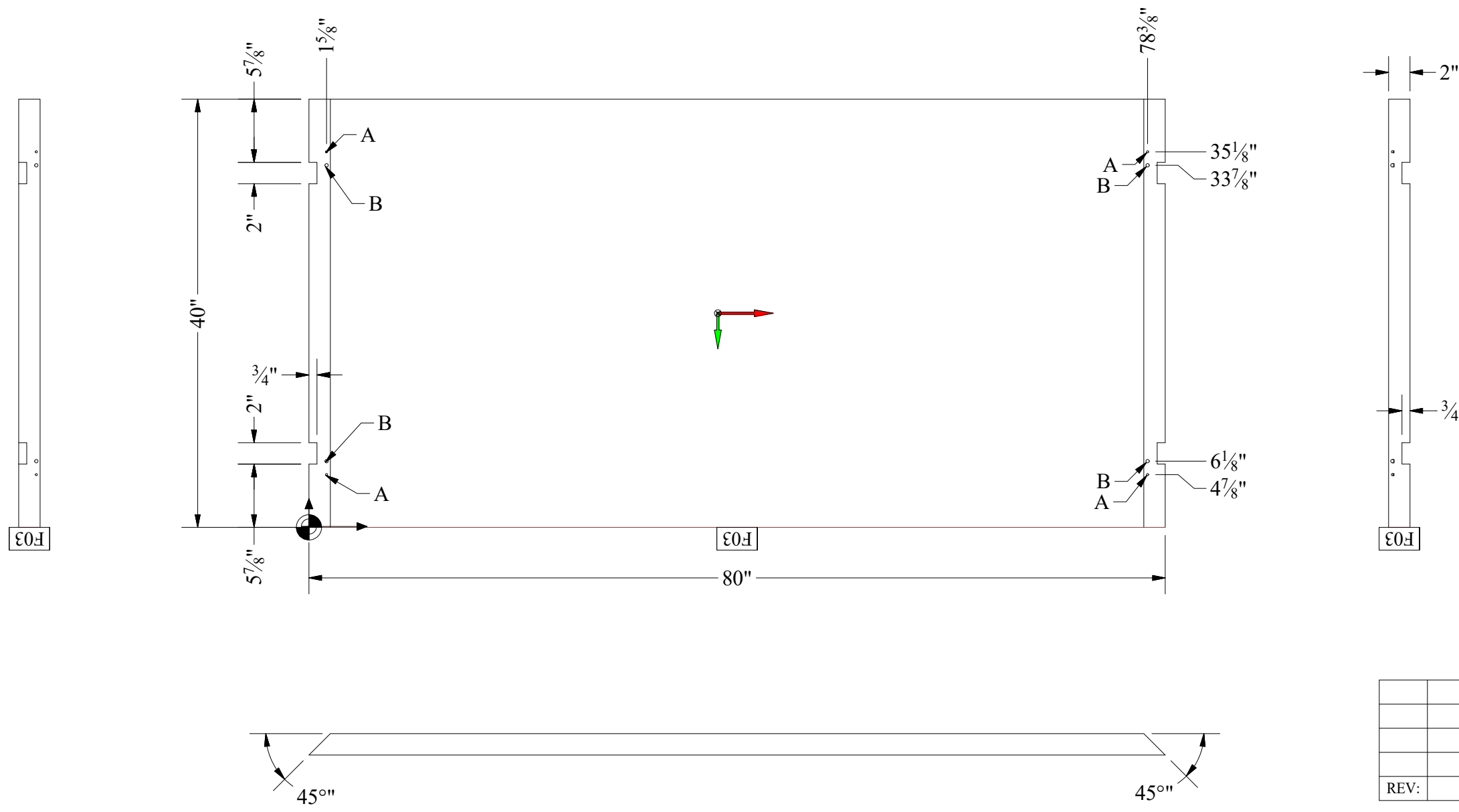
REV:	DESCRIPTION	BY:	DATE:

Hi-Tech iSolutions LLP
 Commerce House-4,
 9th Floor, Prahaladnagar, Ahmedabad
 Phone:+91-794-000-3000
 www.hitechdigital.com

TITLE: GLASS TOP TABLE

JOB#: 10-000	DRAWN: Hi-Tech	REV:
DATE: 12-23-2020	SCALE: 1/16	PAGE: 7 of 52

ID	Hole	Counter Hole	Qty	Side	Comment
A	∅ .20 - .26 DEEP		4	AS SHOWN	
B	∅ .31 - .31 DEEP		4	AS SHOWN	

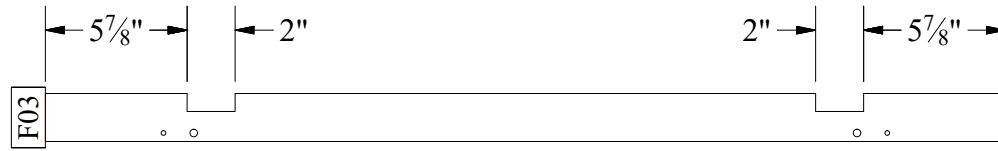


REV:	DESCRIPTION	BY:	DATE:

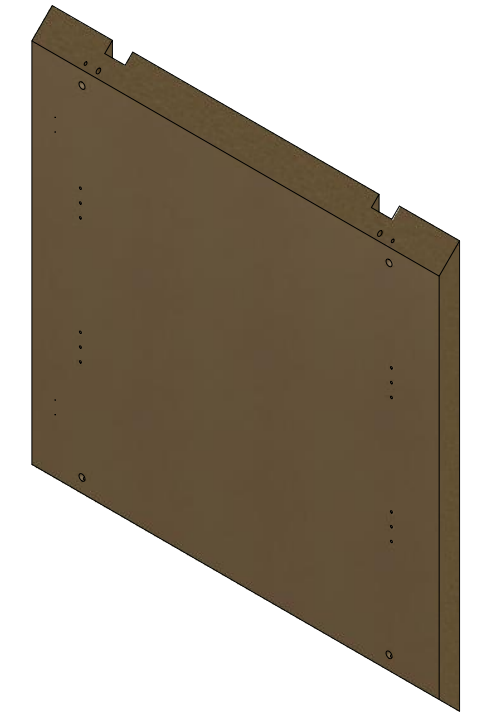
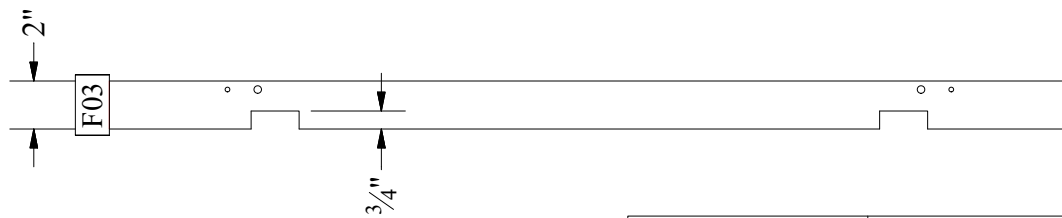
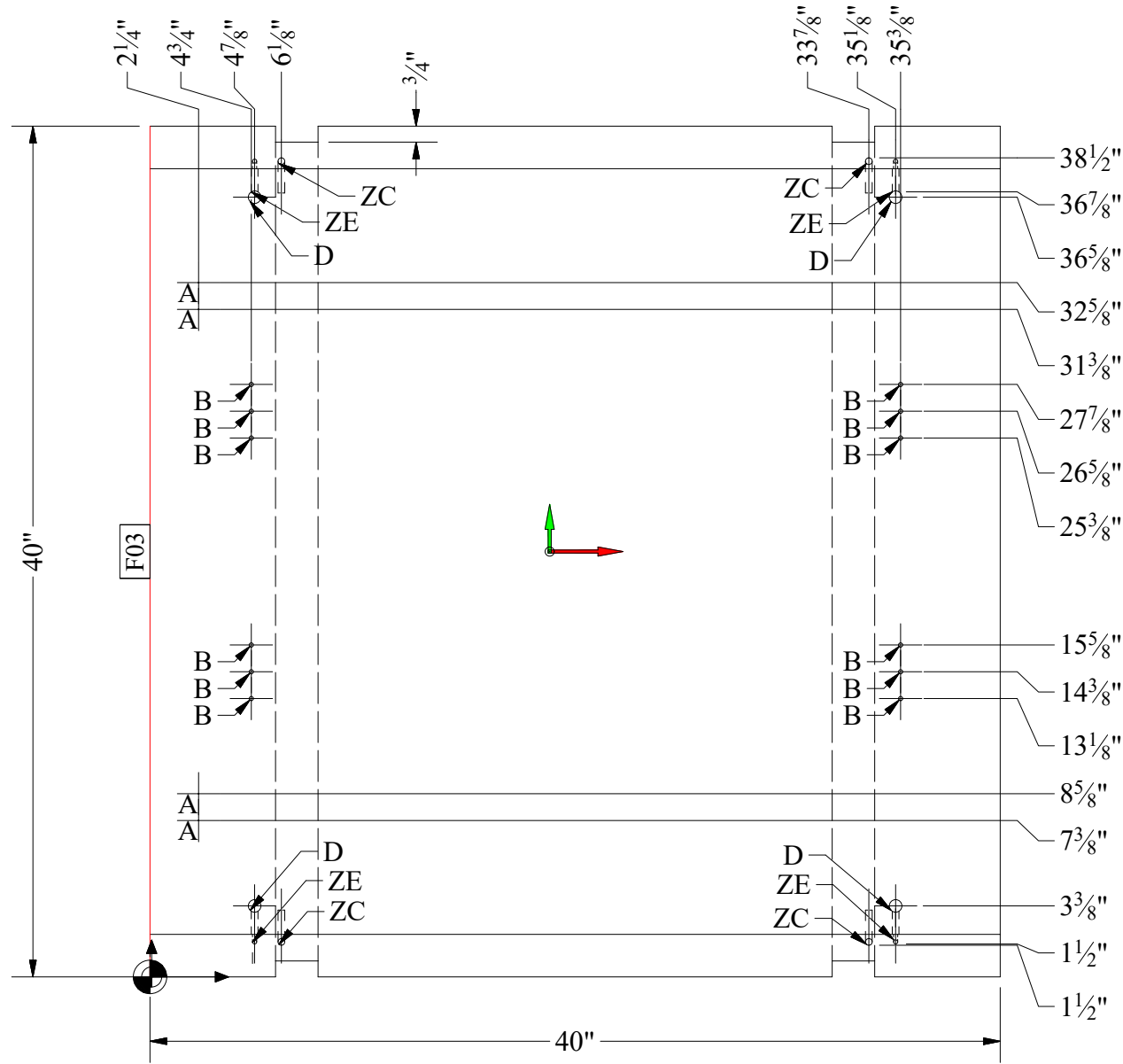
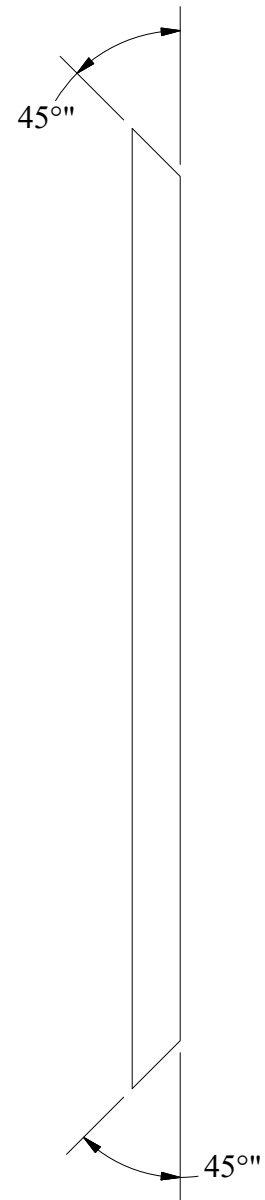
Hi-Tech iSolutions LLP
 Commerce House-4,
 9th Floor, Prahaladnagar, Ahmedabad
 Phone:+91-794-000-3000
 www.hitechdigital.com

TITLE: GLASS TOP TABLE		
JOB#:	DRAWN:	REV:
10-000	Hi-Tech	
DATE:	SCALE:	PAGE:
12-23-2020	1/12	8 of 52

01-001	FRAME PANEL 1		
Part Size:	80x40x2		
Workpiece Size:	80x39 7/8x2		
Material properties			
Code:	LMDF	Name:	Laminated Medium Density Fiberboard
Color properties			
Code:	F03	Name:	Facade 03 group color



ID	Hole	Counter Hole	Qty	Side	Comment
A	∅ 0 - 1/8 DEEP		4	AS SHOWN	
B	∅ 1/4 - 1/2 DEEP		12	AS SHOWN	
ZC	∅ 3/8 - 1 5/8 DEEP		4	EDGE	
D	∅ 5/8 - 5/8 DEEP		4	AS SHOWN	
ZE	∅ 1/4 THRU	└ ∅ 3/8 √ 1 1/8	4	EDGE	

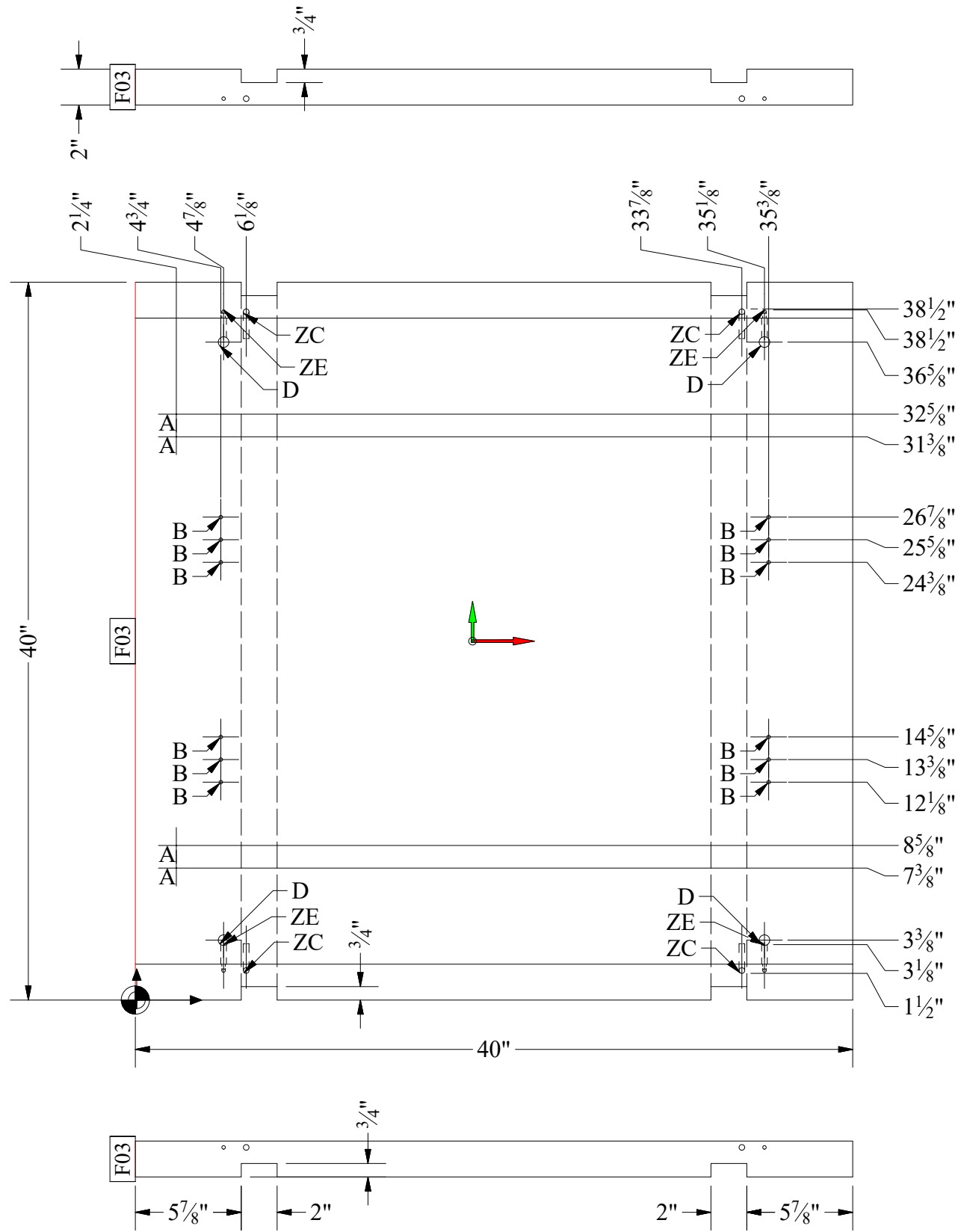


REV:	DESCRIPTION	BY:	DATE:

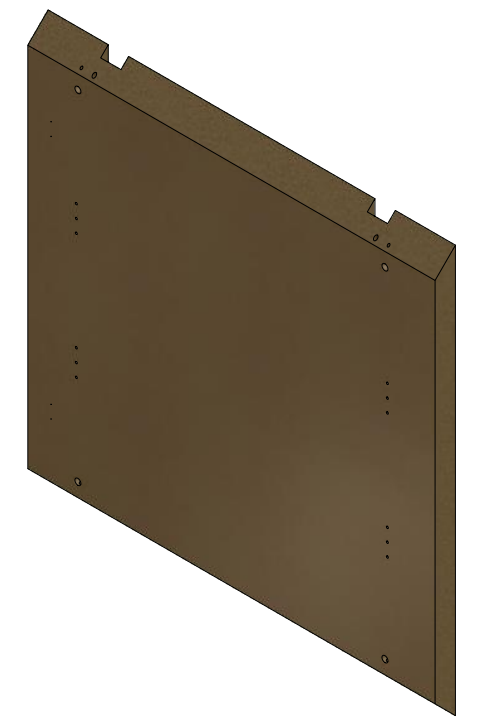
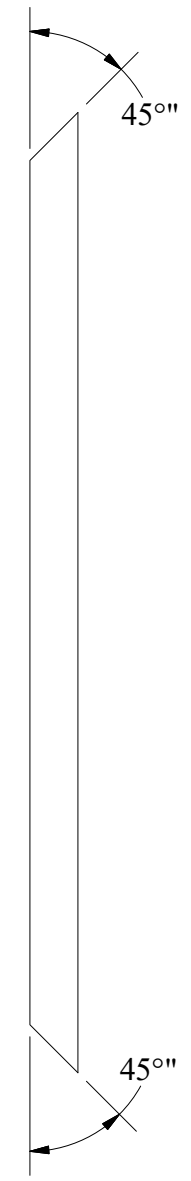

Hi-Tech iSolutions LLP
 Commerce House-4,
 9th Floor, Prahaladnagar, Ahmedabad
 Phone: +91-794-000-3000
 www.hitechdigital.com

TITLE: GLASS TOP TABLE		
JOB#:	DRAWN:	REV:
10-000	Hi-Tech	
DATE:	SCALE:	PAGE:
12-23-2020	1/8	9 of 52

01-002	FRAME PANEL 2		
Part Size:	40x40x2		
Workpiece Size:	39 7/8x40x2		
Material properties			
Code:	LMDF	Name:	Laminated Medium Density Fiberboard
Color properties			
Code:	F03	Name:	Facade 03 group color



ID	Hole	Counter Hole	Qty	Side	Comment
A	∅ .04 - .12 DEEP		4	AS SHOWN	
B	∅ .20 - .49 DEEP		12	AS SHOWN	
ZC	∅ .31 - 1.65 DEEP		4	EDGE	
D	∅ .59 - .59 DEEP		4	AS SHOWN	
ZE	∅ .20 THRU	∟ ∅ .31 ∇1.09	4	EDGE	



REV:	DESCRIPTION	BY:	DATE:

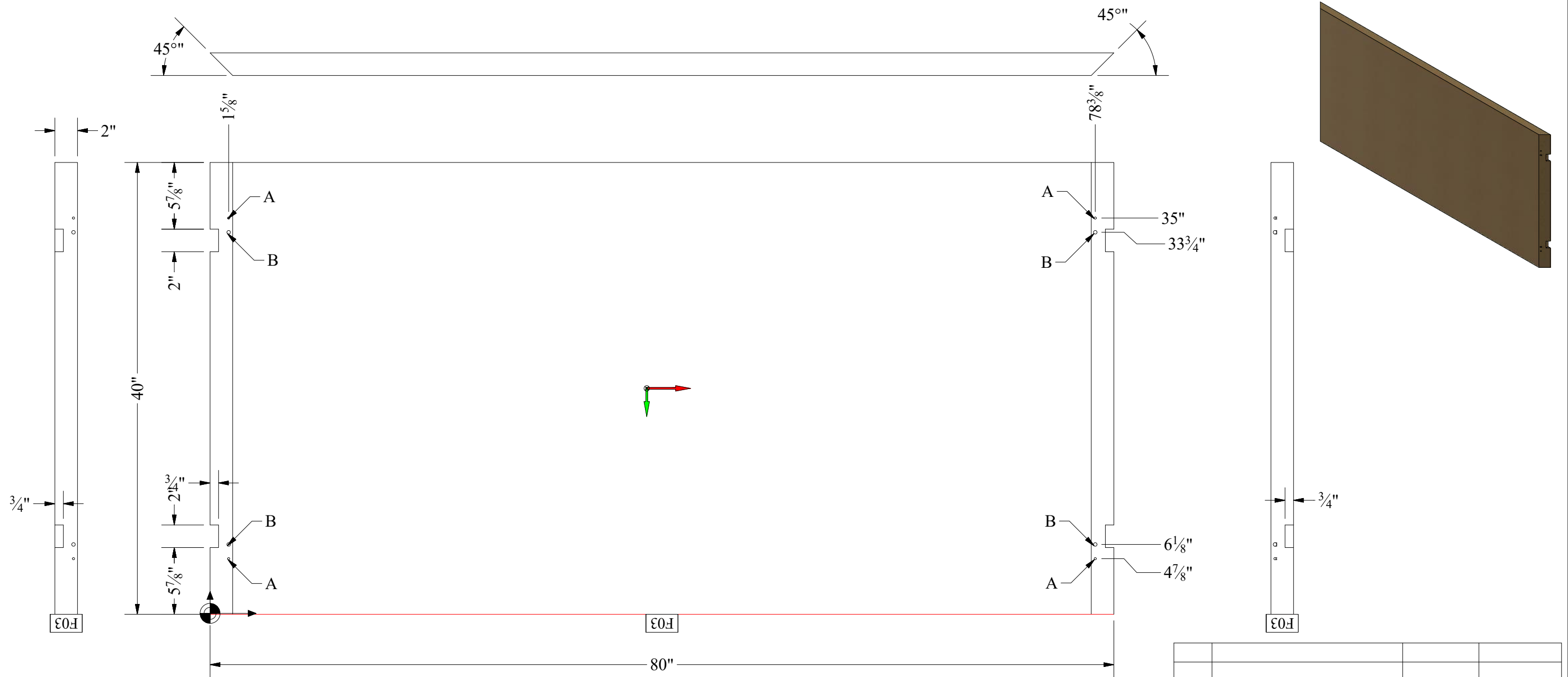
Hi-Tech iSolutions LLP
 Commerce House-4,
 9th Floor, Prahaladnagar, Ahmedabad
 Phone:+91-794-000-3000
 www.hitechdigital.com

TITLE: GLASS TOP TABLE

JOB#:	DRAWN:	REV:
10-000	Hi-Tech	
DATE:	SCALE:	PAGE:
12-23-2020	1/8	10 of 52

01-003	FRAME PANEL 3
Part Size:	40x40x2
Workpiece Size:	39 7/8x40x2
Material properties	
Code: LMDF	Name: Laminated Medium Density Fiberboard
Color properties	
Code: F03	Name: Facade 03 group color

ID	Hole	Counter Hole	Qty	Side	Comment
A	Ø 1/4 - 1/4 DEEP		4	AS SHOWN	
B	Ø 3/8 - 3/8 DEEP		4	AS SHOWN	



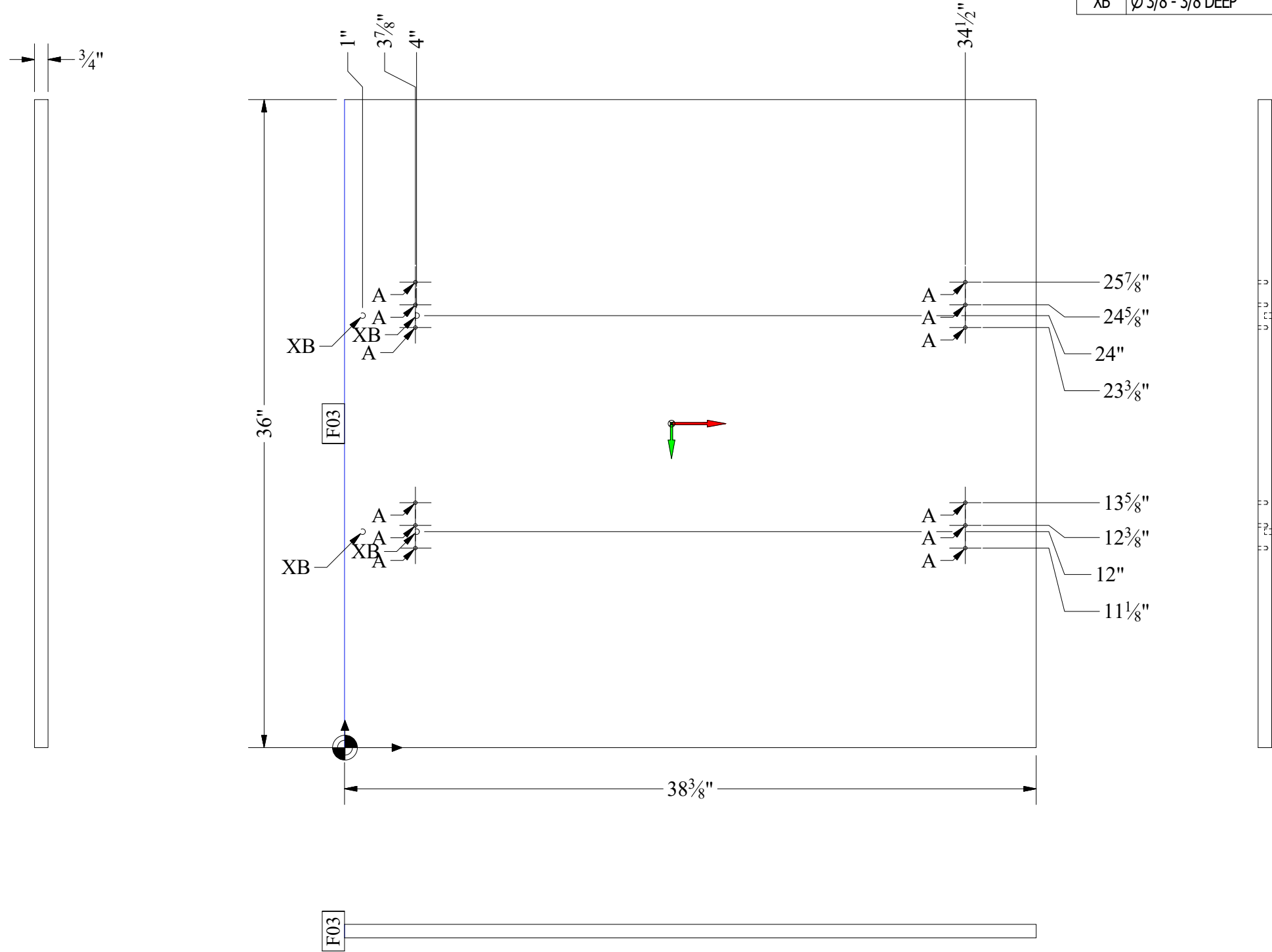
REV:	DESCRIPTION	BY:	DATE:


Hi-Tech iSolutions LLP
 Commerce House-4,
 9th Floor, Prahaladnagar, Ahmedabad
 Phone:+91-794-000-3000
 www.hitechdigital.com

TITLE: GLASS TOP TABLE		
JOB#:	DRAWN:	REV:
10-000	Hi-Tech	
DATE:	SCALE:	PAGE:
12-23-2020	1/9	11 of 52

01-004	FRAME PANEL 4		
Part Size:	80x40x2		
Workpiece Size:	80x39 7/8x2		
Material properties			
Code:	LMDF	Name:	Laminated Medium Density Fiberboard
Color properties			
Code:	F03	Name:	Facade 03 group color

ID	Hole	Counter Hole	Qty	Side	Comment
A	Ø 1/4 - 1/2 DEEP		12	AS SHOWN	
XB	Ø 3/8 - 3/8 DEEP		4	OPOSITE	



REV:	DESCRIPTION	BY:	DATE:

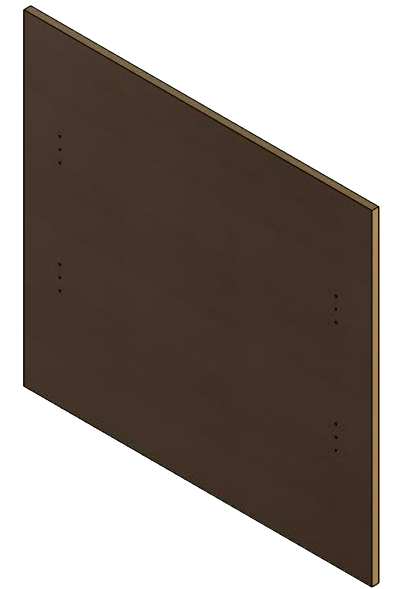
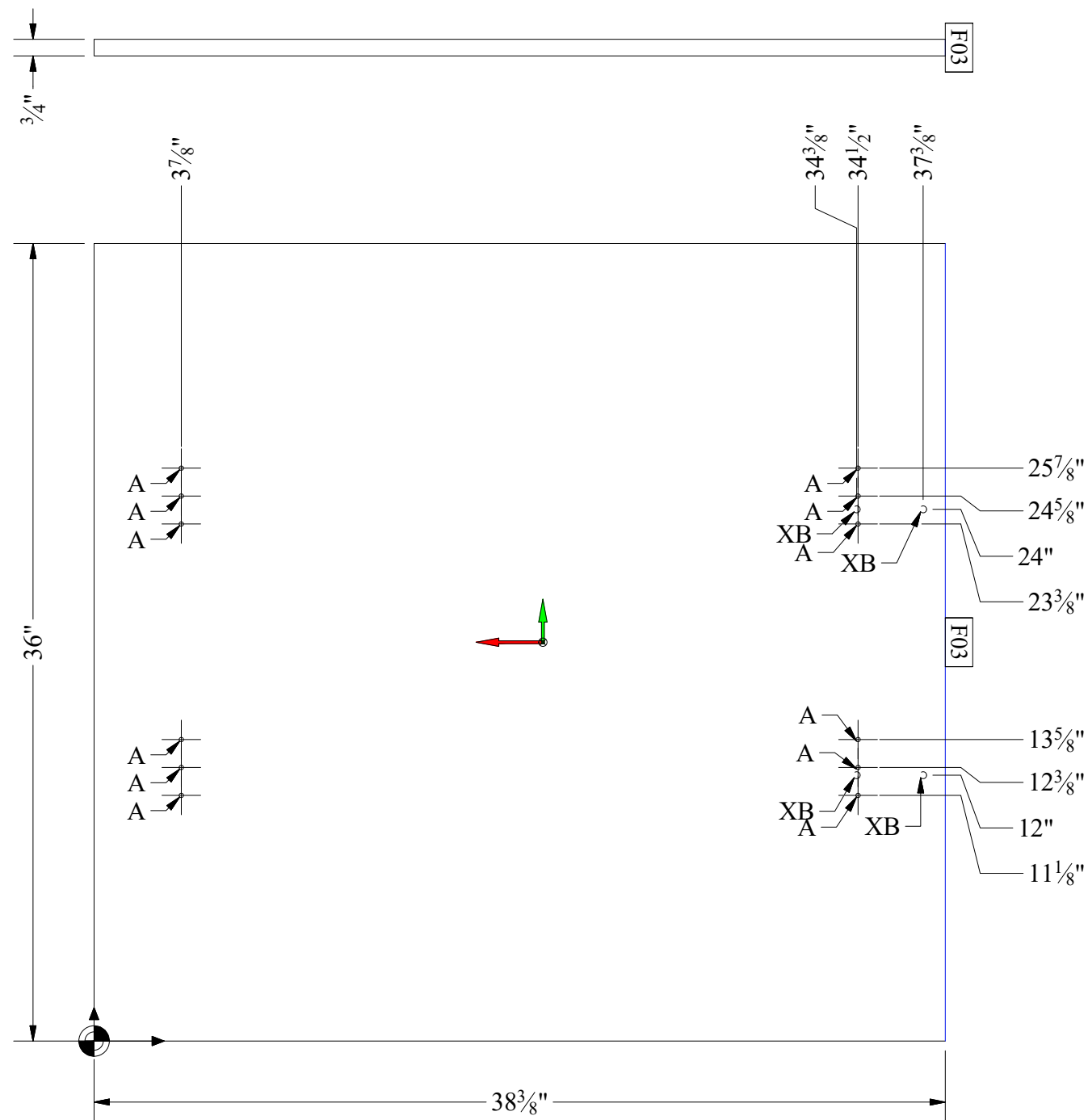

Hi-Tech iSolutions LLP
 Commerce House-4,
 9th Floor, Prahaladnagar, Ahmedabad
 Phone:+91-794-000-3000
 www.hitechdigital.com

TITLE: GLASS TOP TABLE

JOB#:	DRAWN:	REV:
10-000	Hi-Tech	
DATE:	SCALE:	PAGE:
12-23-2020	1/7	12 of 52

01-005	FRAME PANEL 5		
Part Size:	38 3/8x36x3/4		
Workpiece Size:	38 3/8x36x3/4		
Material properties			
Code:	LMDF	Name:	Laminated Medium Density Fiberboard
Color properties			
Code:	B01	Name:	Body 01 group color

ID	Hole	Counter Hole	Qty	Side	Comment
A	Ø 1/4 - 1/2 DEEP		12	AS SHOWN	
XB	Ø 3/8 - 3/8 DEEP		4	OPOSITE	



REV:	DESCRIPTION	BY:	DATE:

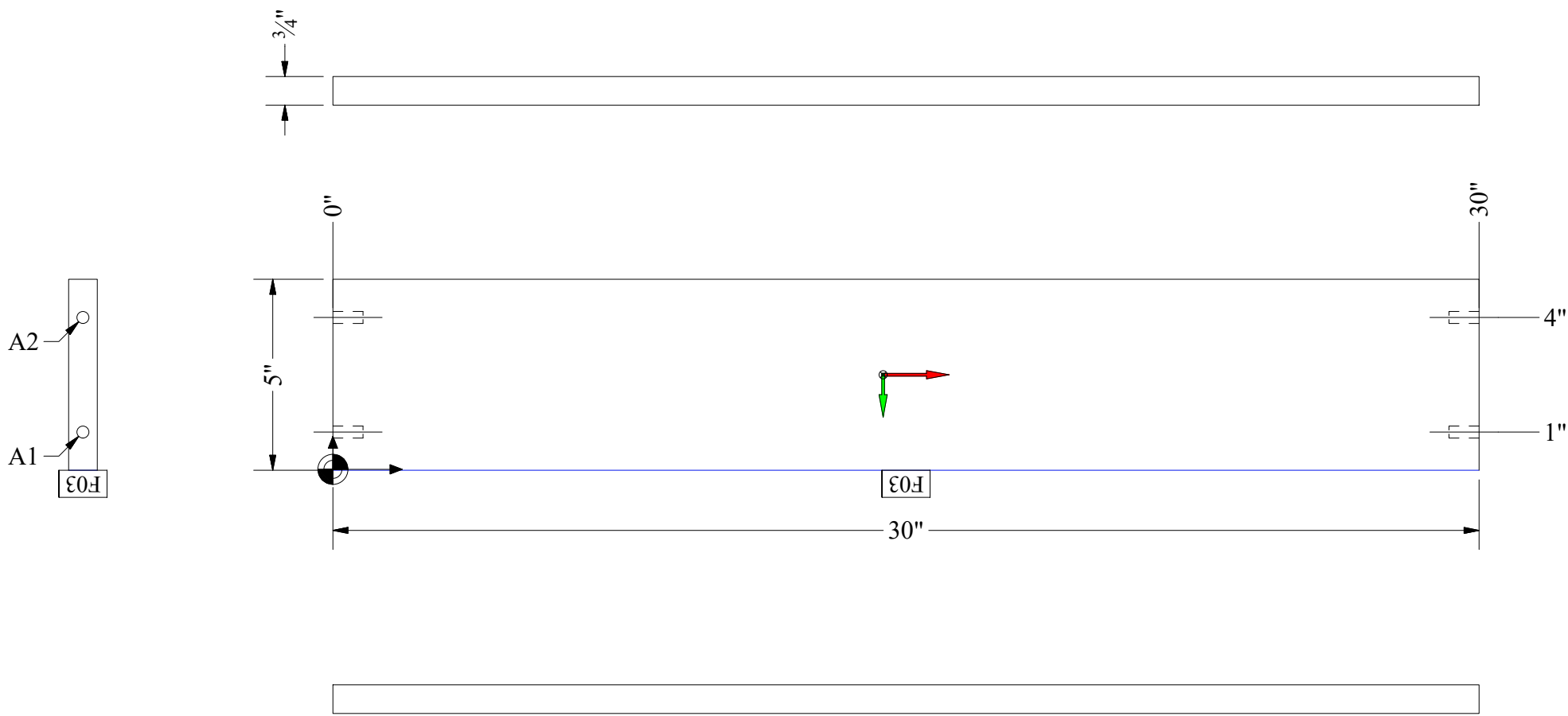
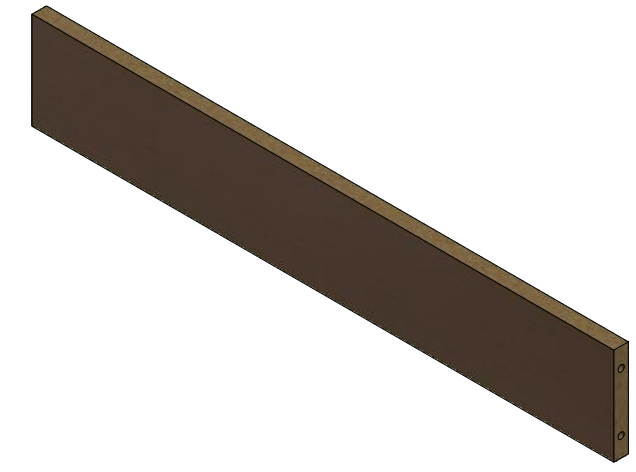

Hi-Tech iSolutions LLP
 Commerce House-4,
 9th Floor, Prahaladnagar, Ahmedabad
 Phone:+91-794-000-3000
 www.hitechdigital.com

TITLE: GLASS TOP TABLE

JOB#:	DRAWN:	REV:
10-000	Hi-Tech	
DATE:	SCALE:	PAGE:
12-23-2020	1/7	13 of 52

01-006	FRAME PANEL 6		
Part Size:	38 3/8x36x3/4		
Workpiece Size:	38 3/8x36x3/4		
Material properties			
Code:	LMDF	Name:	Laminated Medium Density Fiberboard
Color properties			
Code:	B01	Name:	Body 01 group color

Holes Table										
Hole	Xdim	Ydim	Zdim	D	Depth	D2	Depth2	Type	XYang	Xang
A1	0	1	3/8	3/8	3/4			B	90°	0°
A2	0	4	3/8	3/8	3/4			B	90°	0°
B1	30	1	3/8	3/8	3/4			B	90°	180°
B2	30	4	3/8	3/8	3/4			B	90°	180°

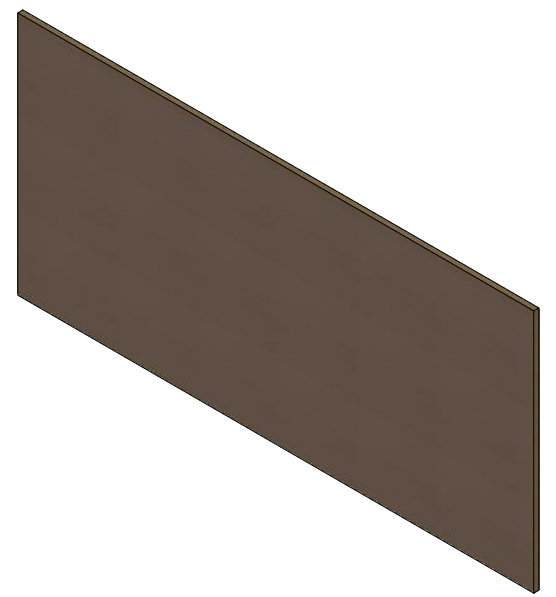
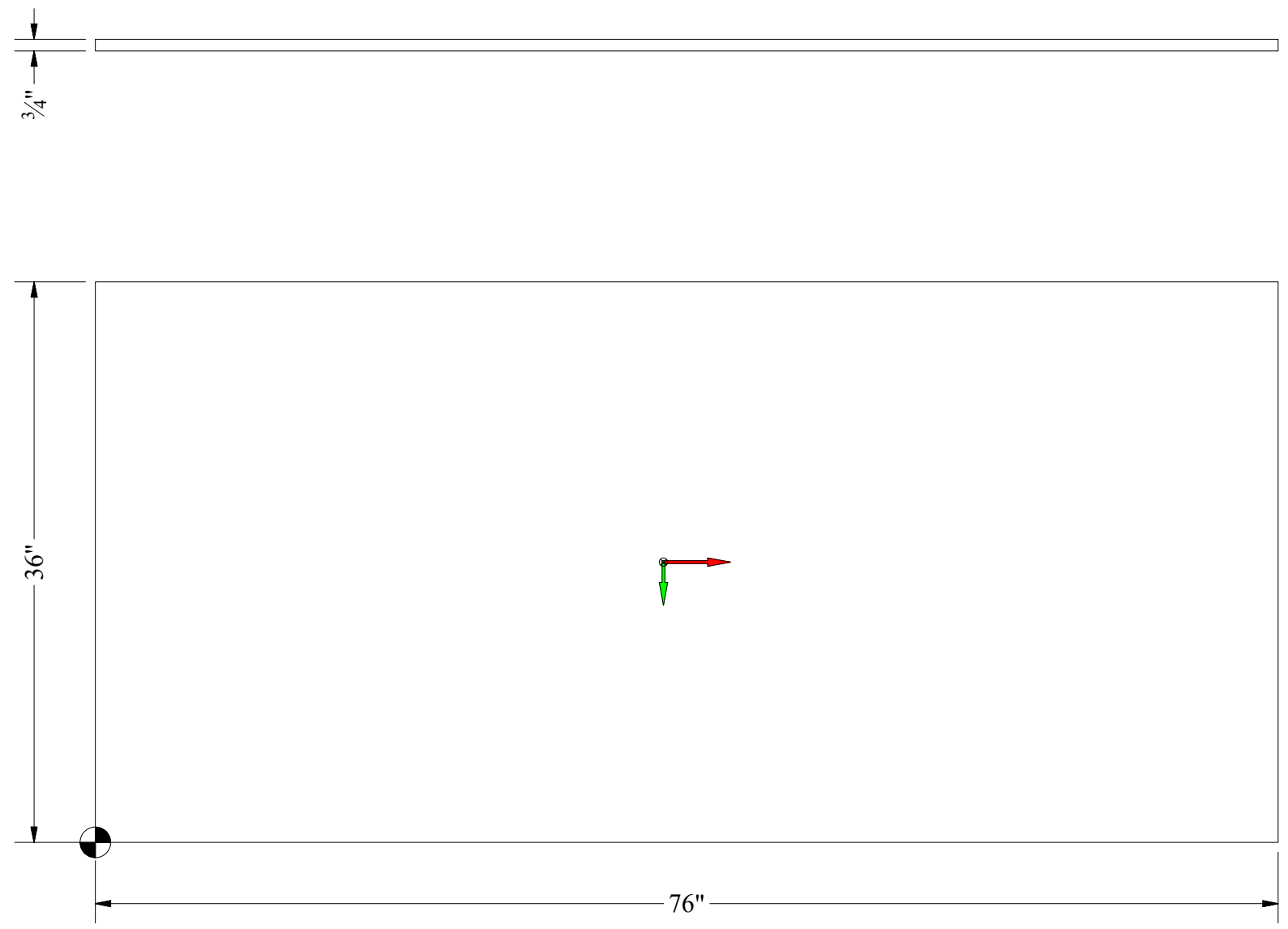


REV:	DESCRIPTION	BY:	DATE:

Hi-Tech iSolutions LLP
 Commerce House-4,
 9th Floor, Prahaladnagar, Ahmedabad
 Phone:+91-794-000-3000
 www.hitechdigital.com

TITLE: GLASS TOP TABLE		
JOB#: 10-000	DRAWN: Hi-Tech	REV:
DATE: 12-23-2020	SCALE: 1/4	PAGE: 14 of 52

01-007	FRAME PANEL 7		
Part Size:	30x5x3/4		
Workpiece Size:	30x5x3/4		
Material properties			
Code:	LMDF	Name:	Laminated Medium Density Fiberboard
Color properties			
Code:	B01	Name:	Body 01 group color



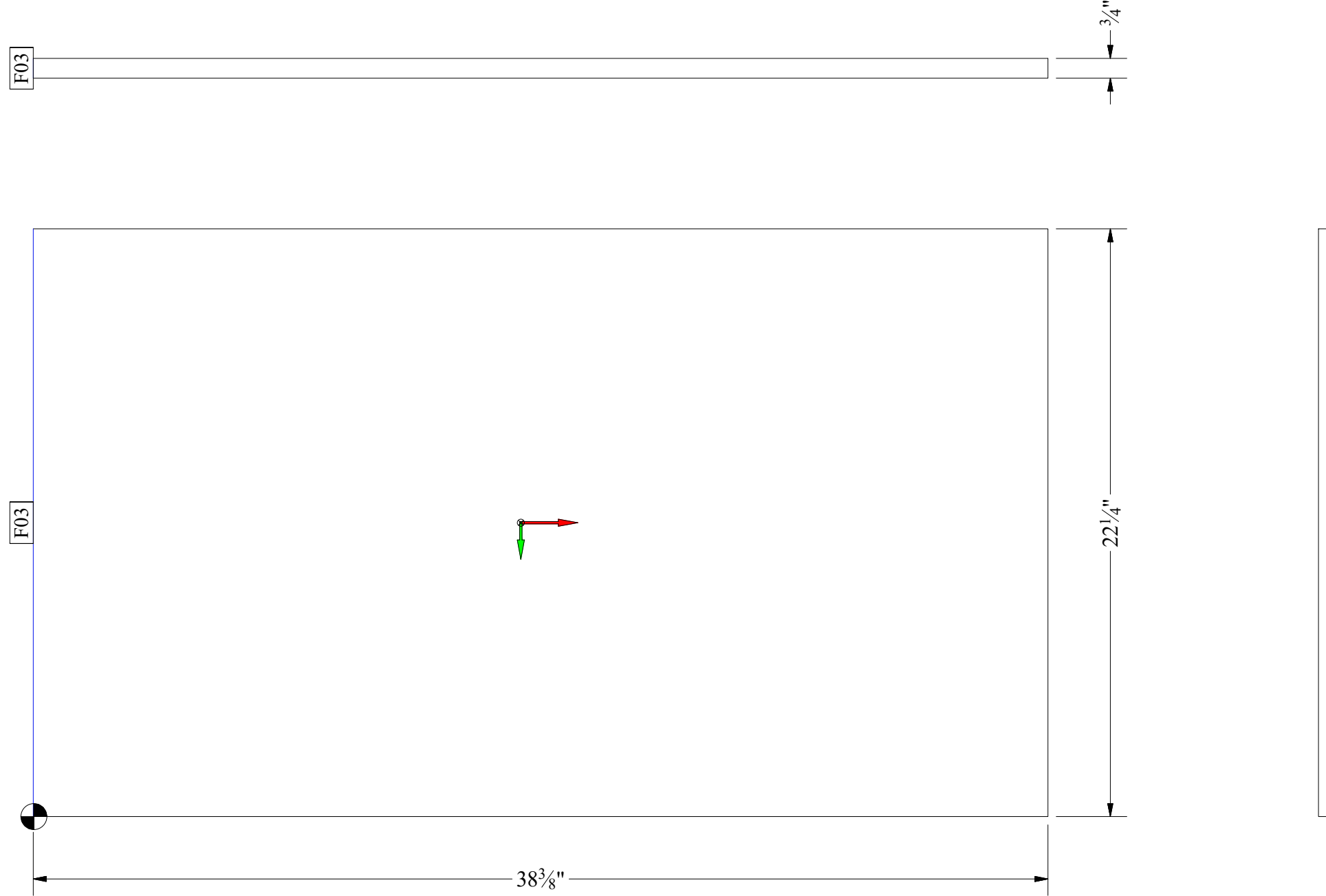
REV:	DESCRIPTION	BY:	DATE:


Hi-Tech iSolutions LLP
 Commerce House-4,
 9th Floor, Prahaladnagar, Ahmedabad
 Phone:+91-794-000-3000
 www.hitechdigital.com

TITLE: GLASS TOP TABLE

JOB#:	DRAWN:	REV:
10-000	Hi-Tech	
DATE:	SCALE:	PAGE:
12-23-2020	1/10	15 of 52

01-008	BACK PANEL		
Part Size:	76x36x3/4		
Workpiece Size:	76x36x3/4		
Material properties			
Code:	LMDF	Name:	Laminated Medium Density Fiberboard
Color properties			
Code:	B01	Name:	Body 01 group color



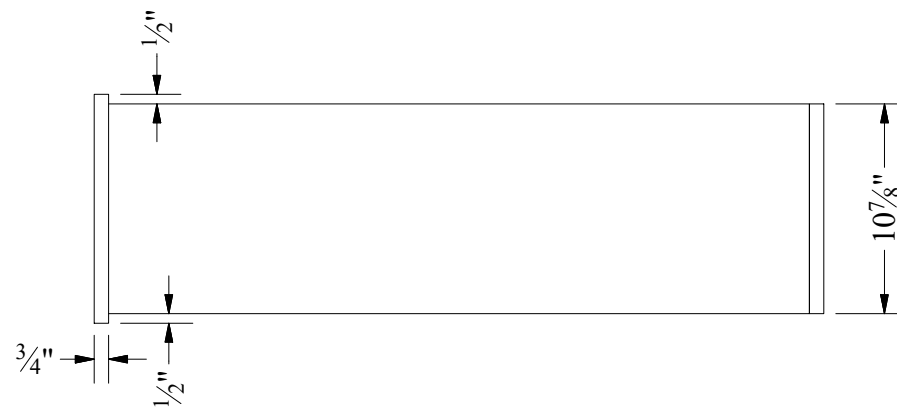
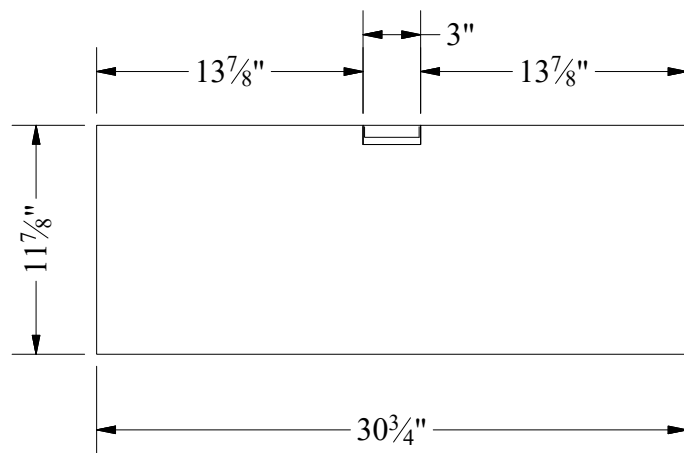
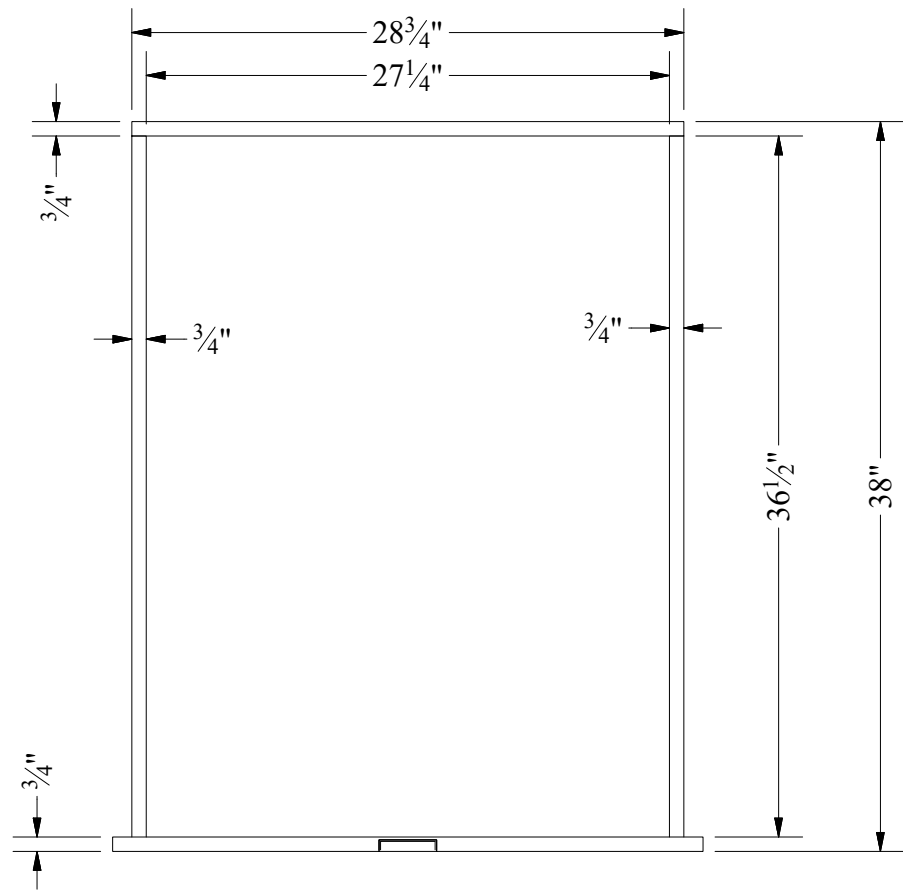
REV:	DESCRIPTION	BY:	DATE:


Hi-Tech iSolutions LLP
 Commerce House-4,
 9th Floor, Prahaladnagar, Ahmedabad
 Phone:+91-794-000-3000
 www.hitechdigital.com

TITLE: GLASS TOP TABLE

JOB#:	DRAWN:	REV:
10-000	Hi-Tech	
DATE:	SCALE:	PAGE:
12-23-2020	1/5	16 of 52

01-009	SHELF		
Part Size:	38 3/8x22 1/4x3/4		
Workpiece Size:	38 3/8x22 1/4x3/4		
Material properties			
Code:	LMDF	Name:	Laminated Medium Density Fiberboard
Color properties			
Code:	B01	Name:	Body 01 group color



REV:	DESCRIPTION	BY:	DATE:

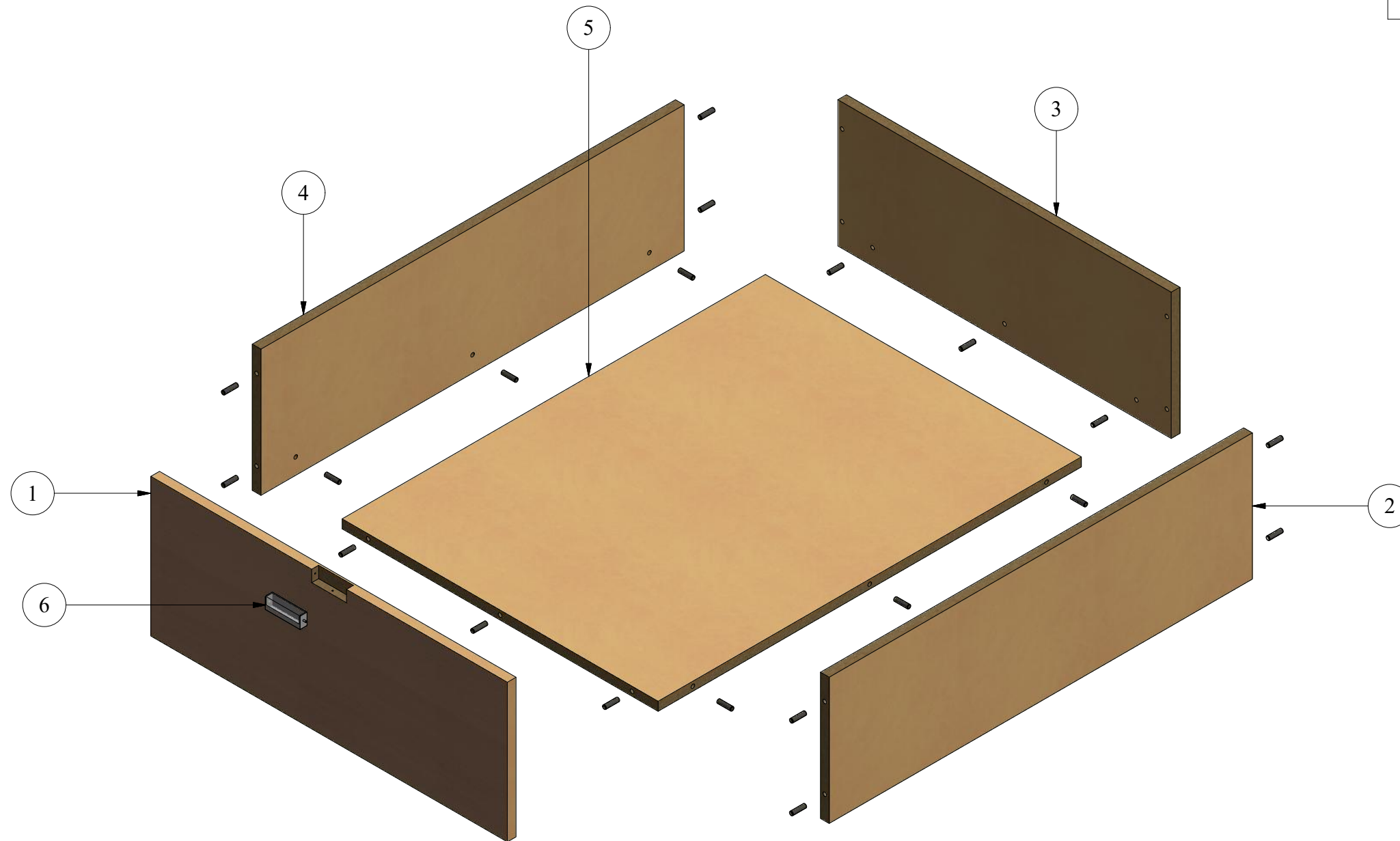
hitech
Your Trusted Outsourcing Partner

Hi-Tech iSolutions LLP
Commerce House-4,
9th Floor, Prahaladnagar, Ahmedabad
Phone:+91-794-000-3000
www.hitechdigital.com

TITLE: GLASS TOP TABLE

JOB#:	DRAWN:	REV:
10-000	Hi-Tech	
DATE:	SCALE:	PAGE:
12-23-2020	1/10	17 of 52

PARTS LIST			
ITEM	PART NUMBER	DESCRIPTION	QTY
1	02-001	DRAWER 1 PANEL 1	1
2	02-002	DRAWER 1 PANEL 2	1
3	02-003	DRAWER 1 PANEL 3	1
4	02-004	DRAWER 1 PANEL 4	1
5	02-005	DRAWER 1 PANEL 5	1
6	HiTech Insert Handle L3 H1 D0.6	INSERT HANDLE	1



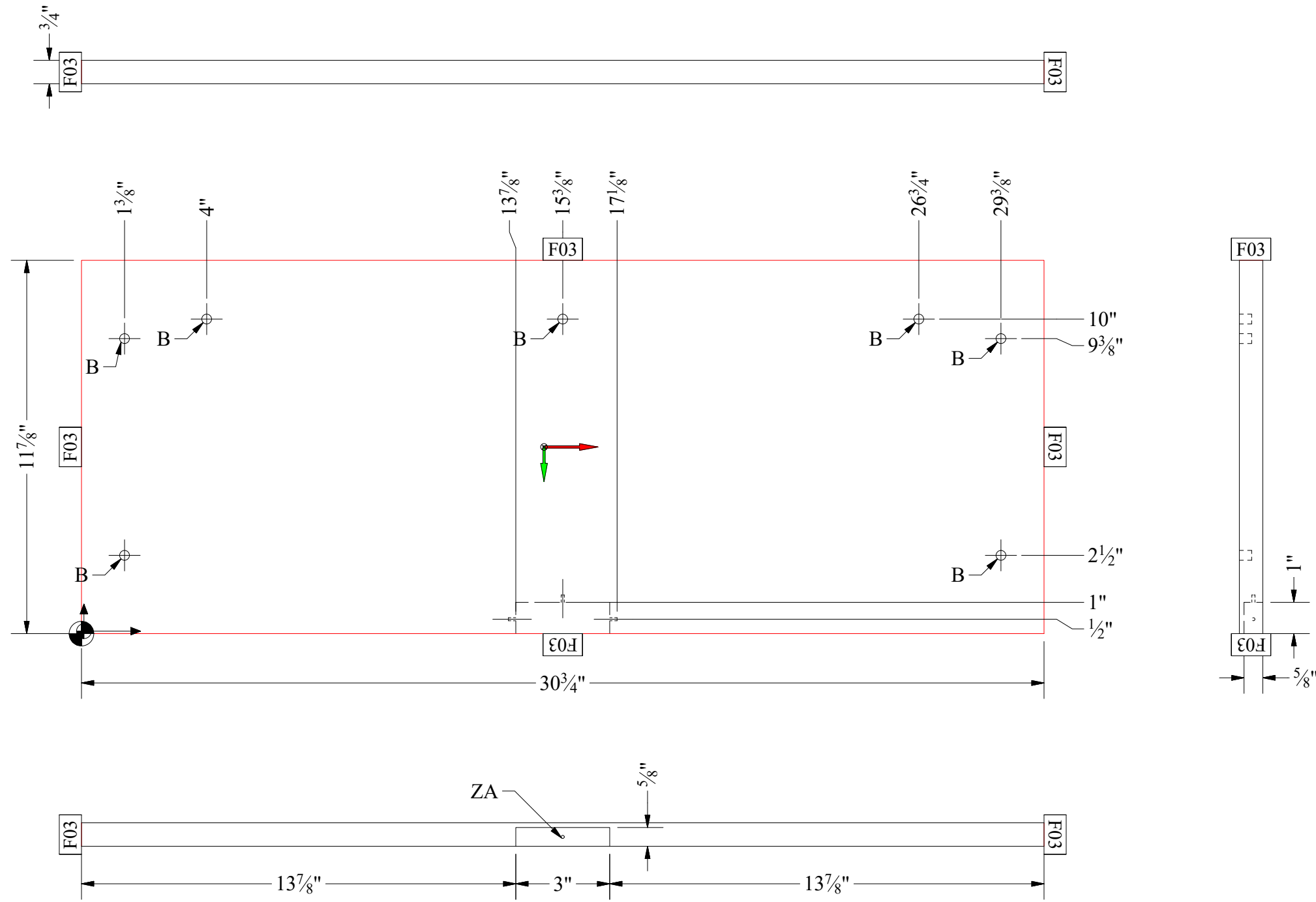
REV:	DESCRIPTION	BY:	DATE:

Hi-Tech iSolutions LLP
 Commerce House-4,
 9th Floor, Prahaladnagar, Ahmedabad
 Phone:+91-794-000-3000
 www.hitechdigital.com

TITLE: GLASS TOP TABLE

JOB#:	DRAWN:	REV:
10-000	Hi-Tech	
DATE:	SCALE:	PAGE:
12-23-2020	1/8	18 of 52

ID	Hole	Counter Hole	Qty	Side	Comment
ZA	Ø .10 - .24 DEEP		1	EDGE	
B	Ø .31 - .39 DEEP		7	AS SHOWN	



REV:	DESCRIPTION	BY:	DATE:

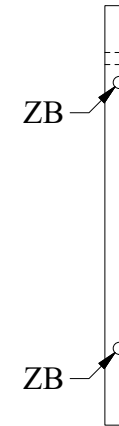
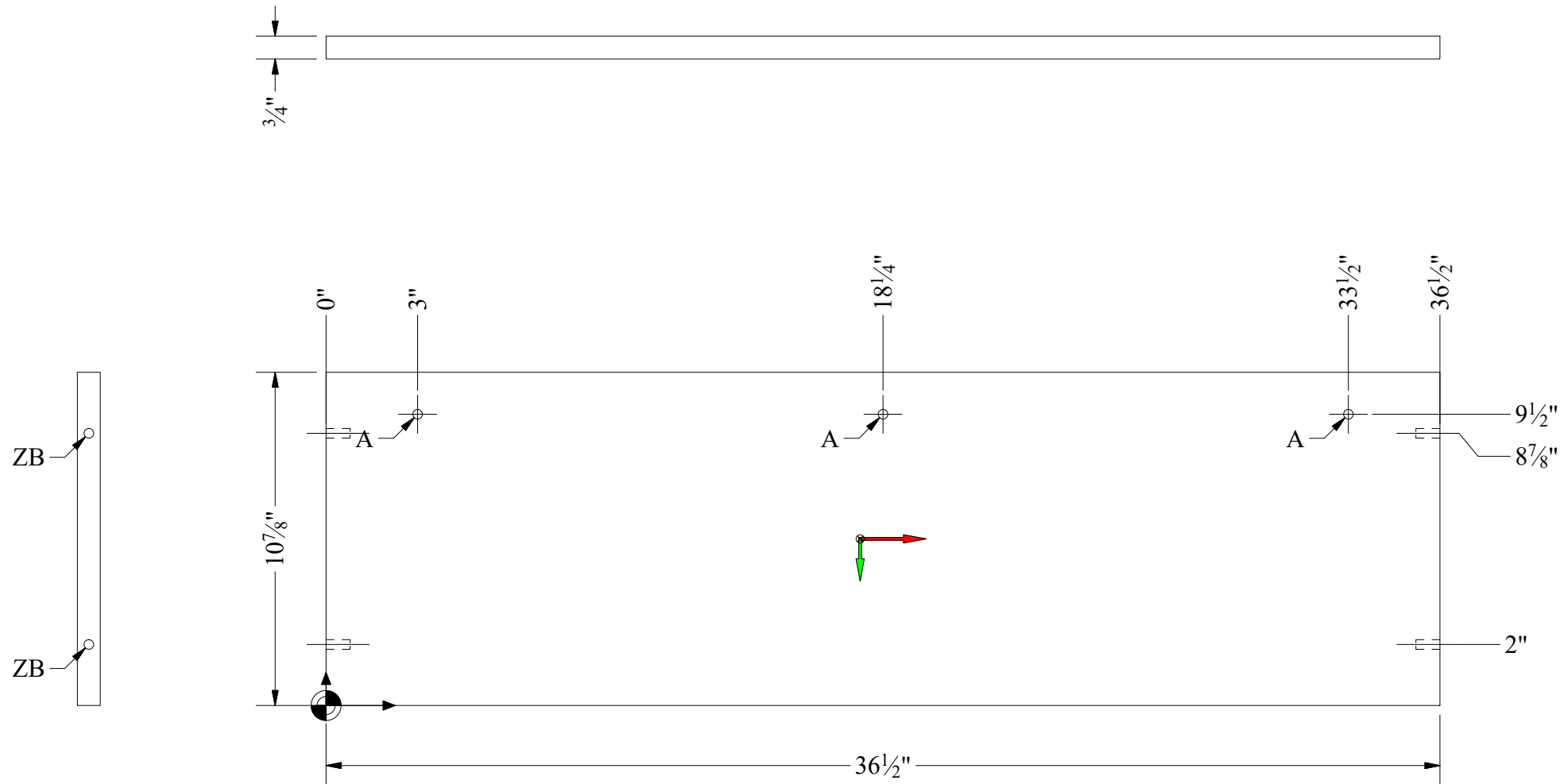
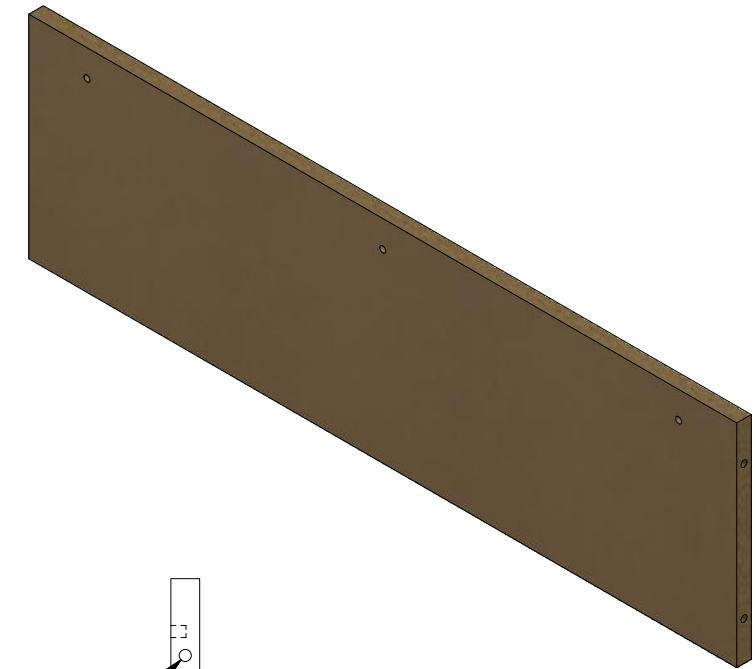
Hi-Tech iSolutions LLP
 Commerce House-4,
 9th Floor, Prahaladnagar, Ahmedabad
 Phone: +91-794-000-3000
 www.hitechdigital.com

TITLE: GLASS TOP TABLE

JOB#: 10-000	DRAWN: Hi-Tech	REV:
DATE: 12-23-2020	SCALE: 1/4	PAGE: 19 of 52

02-001	DRAWER 1 PANEL 1		
Part Size:	30 3/4x11 7/8x3/4		
Workpiece Size:	30 5/8x11 3/4x3/4		
Material properties			
Code: LMDF	Name:	Laminated Medium Density Fiberboard	
Color properties			
Code: B01	Name:	Body 01 group color	

ID	Hole	Counter Hole	Qty	Side	Comment
A	Ø 3/8 - 3/8 DEEP		3	AS SHOWN	
ZB	Ø 3/8 - 3/4 DEEP		4	EDGE	



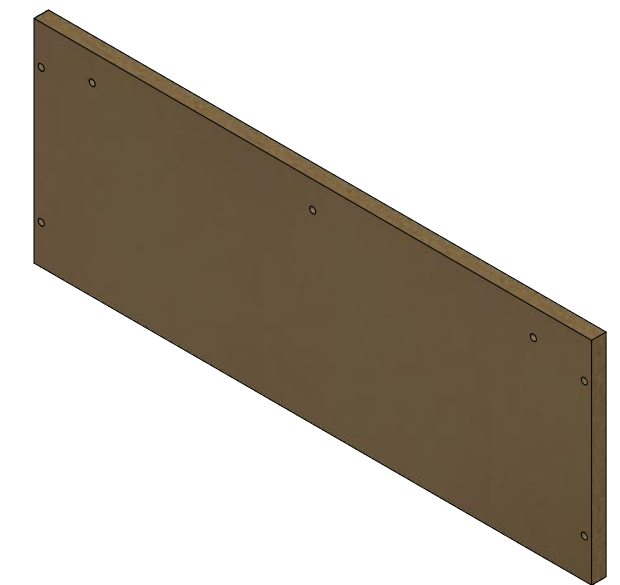
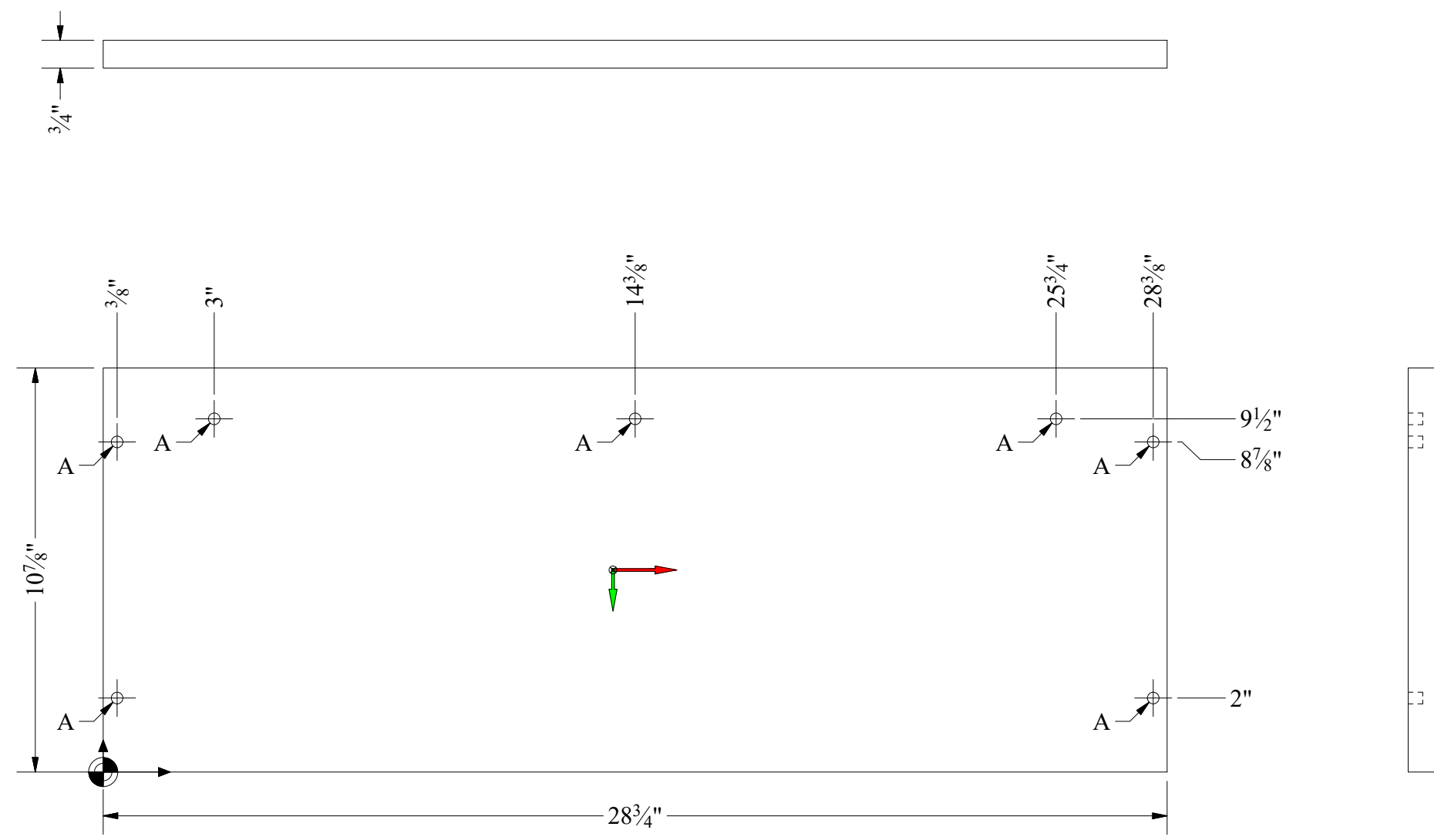
REV:	DESCRIPTION	BY:	DATE:


Hi-Tech iSolutions LLP
 Commerce House-4,
 9th Floor, Prahaladnagar, Ahmedabad
 Phone:+91-794-000-3000
 www.hitechdigital.com

TITLE: GLASS TOP TABLE		
JOB#:	DRAWN:	REV:
10-000	Hi-Tech	
DATE:	SCALE:	PAGE:
12-23-2020	1/5	20 of 52

02-002	DRAWER 1 PANEL 2		
Part Size:	36 1/2x10 7/8x3/4		
Workpiece Size:	36 1/2x10 7/8x3/4		
Material properties			
Code:	LMDF	Name:	Laminated Medium Density Fiberboard
Color properties			
Code:	F03	Name:	Facade 03 group color

ID	Hole	Counter Hole	Qty	Side	Comment
A	Ø 3/8 - 3/8 DEEP		7	AS SHOWN	



REV:	DESCRIPTION	BY:	DATE:

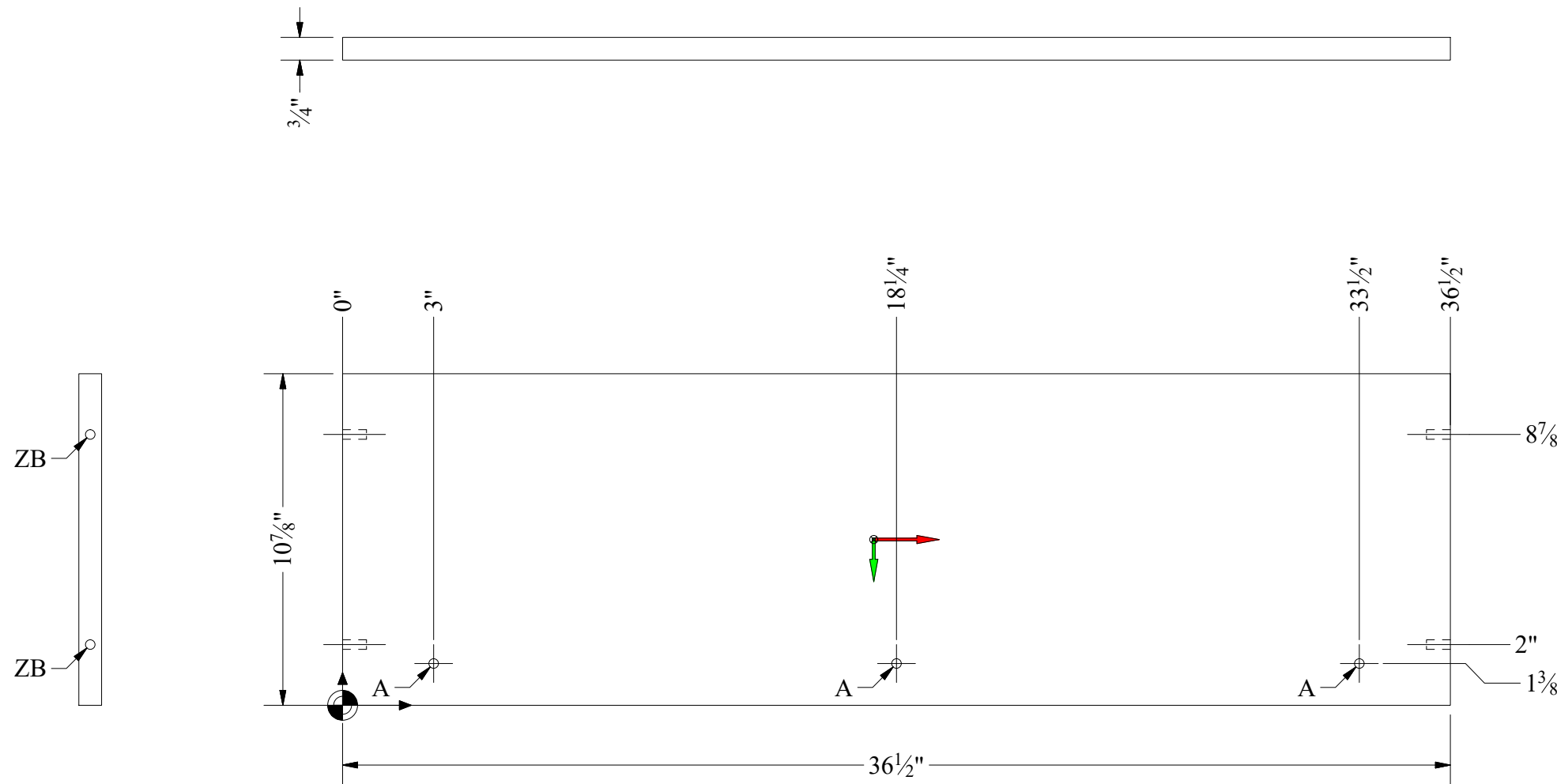

Hi-Tech iSolutions LLP
 Commerce House-4,
 9th Floor, Prahaladnagar, Ahmedabad
 Phone:+91-794-000-3000
 www.hitechdigital.com

TITLE: GLASS TOP TABLE

JOB#:	DRAWN:	REV:
10-000	Hi-Tech	
DATE:	SCALE:	PAGE:
12-23-2020	1/4	21 of 52

02-003	DRAWER 1 PANEL 3		
Part Size:	28 3/4x10 7/8x3/4		
Workpiece Size:	28 3/4x10 7/8x3/4		
Material properties			
Code:	LMDF	Name:	Laminated Medium Density Fiberboard
Color properties			
Code:	F03	Name:	Facade 03 group color

ID	Hole	Counter Hole	Qty	Side	Comment
A	Ø 3/8 - 3/8 DEEP		3	AS SHOWN	
ZB	Ø 3/8 - 3/4 DEEP		4	EDGE	



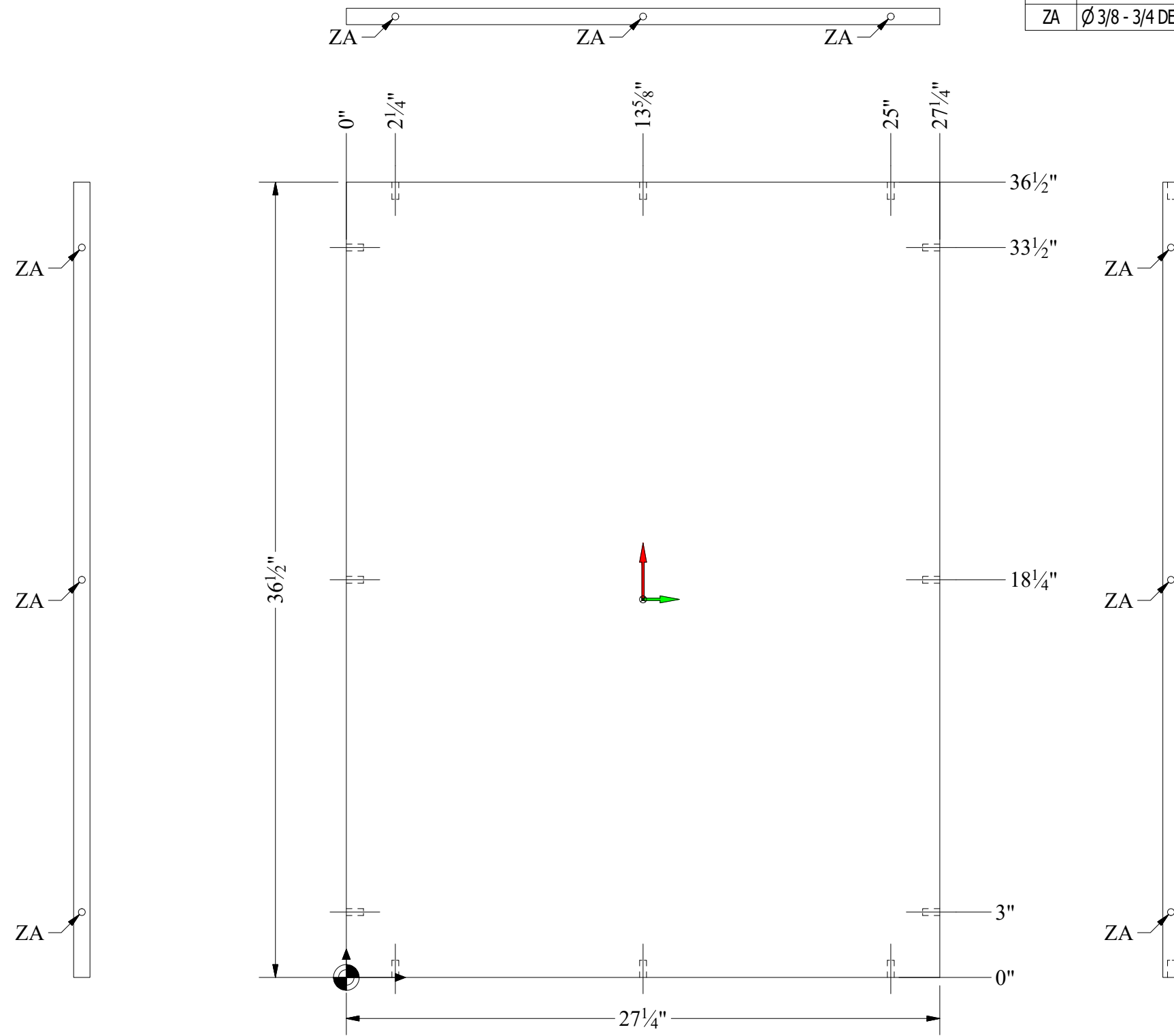
REV:	DESCRIPTION	BY:	DATE:


Hi-Tech iSolutions LLP
 Commerce House-4,
 9th Floor, Prahaladnagar, Ahmedabad
 Phone:+91-794-000-3000
 www.hitechdigital.com

TITLE: GLASS TOP TABLE		
JOB#:	DRAWN:	REV:
10-000	Hi-Tech	
DATE:	SCALE:	PAGE:
12-23-2020	1/5	22 of 52

02-004	DRAWER 1 PANEL 4		
Part Size:	36 1/2x10 7/8x3/4		
Workpiece Size:	36 1/2x10 7/8x3/4		
Material properties			
Code:	LMDF	Name:	Laminated Medium Density Fiberboard
Color properties			
Code:	F03	Name:	Facade 03 group color

ID	Hole	Counter Hole	Qty	Side	Comment
ZA	Ø 3/8 - 3/4 DEEP		12	EDGE	



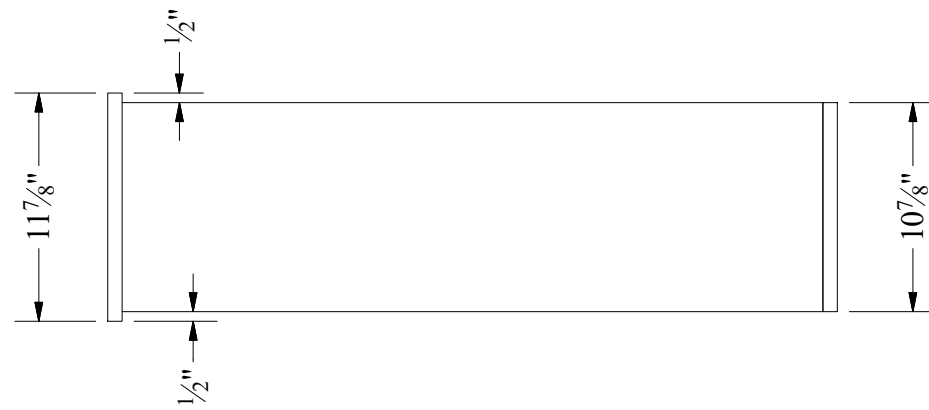
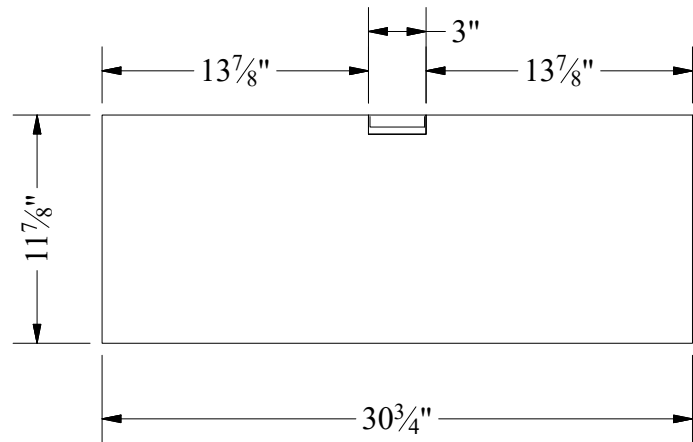
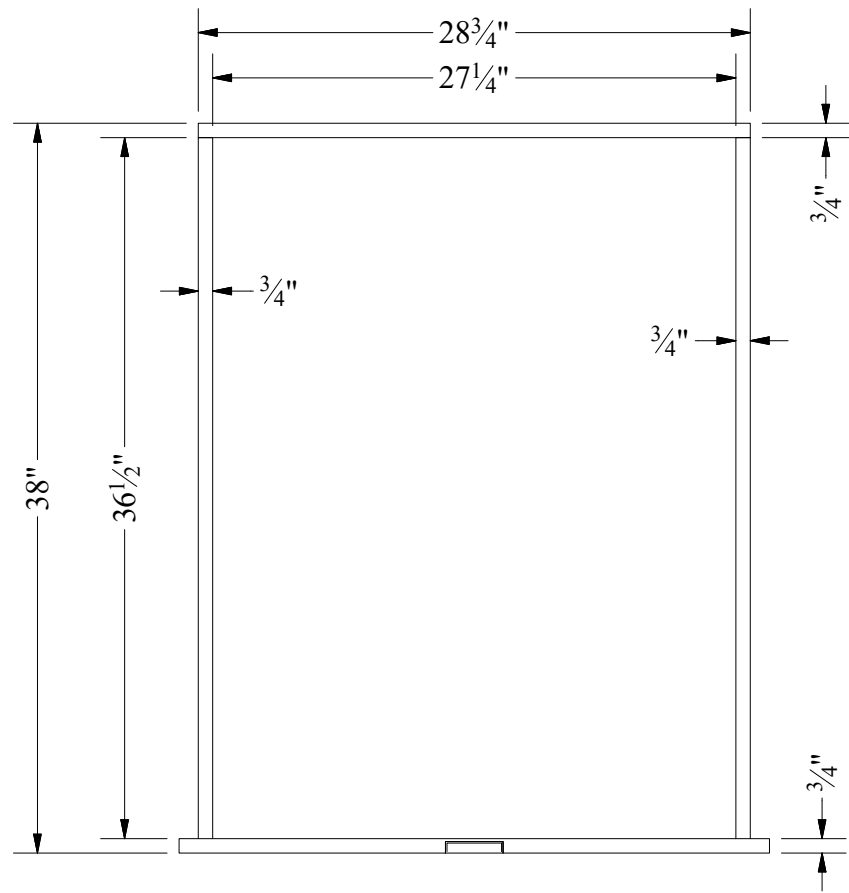
REV:	DESCRIPTION	BY:	DATE:


Hi-Tech iSolutions LLP
 Commerce House-4,
 9th Floor, Prahaladnagar, Ahmedabad
 Phone:+91-794-000-3000
 www.hitechdigital.com

TITLE: GLASS TOP TABLE

JOB#:	DRAWN:	REV:
10-000	Hi-Tech	
DATE:	SCALE:	PAGE:
12-23-2020	1/6	23 of 52

02-005	DRAWER 1 PANEL 5		
Part Size:	36 1/2x27 1/4x3/4		
Workpiece Size:	36 1/2x27 1/4x3/4		
Material properties			
Code:	LMDF	Name:	Laminated Medium Density Fiberboard
Color properties			
Code:	F03	Name:	Facade 03 group color



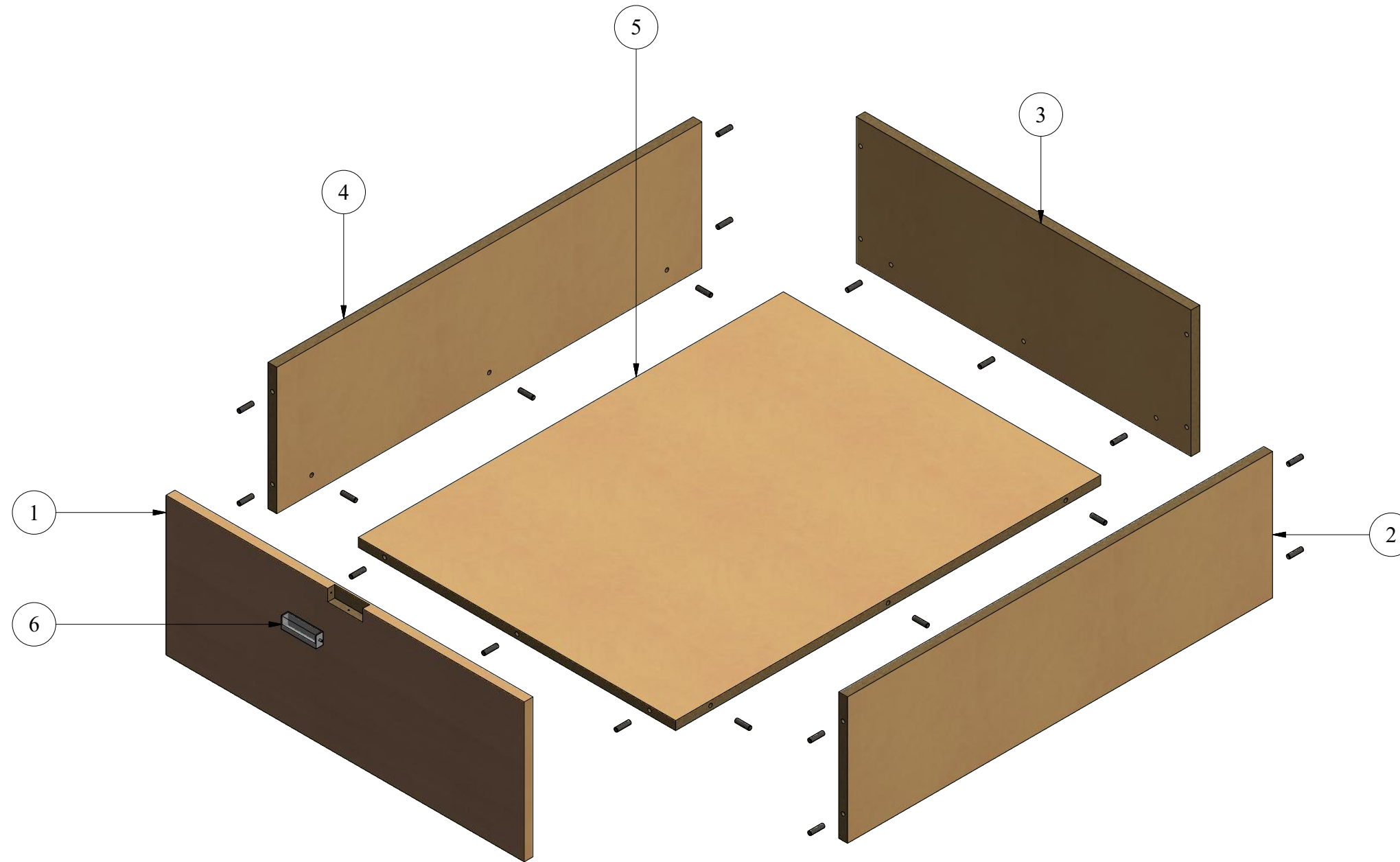
REV:	DESCRIPTION	BY:	DATE:

Hi-Tech iSolutions LLP
 Commerce House-4,
 9th Floor, Prahaladnagar, Ahmedabad
 Phone:+91-794-000-3000
 www.hitechdigital.com

TITLE: GLASS TOP TABLE

JOB#: 10-000	DRAWN: Hi-Tech	REV:
DATE: 12-23-2020	SCALE: 1/10	PAGE: 24 of 52

PARTS LIST			
ITEM	PART NUMBER	DESCRIPTION	QTY
1	03-001	DRAWER 2 PANEL 1	1
2	03-002	DRAWER 2 PANEL 2	1
3	03-003	DRAWER 2 PANEL 3	1
4	03-004	DRAWER 2 PANEL 4	1
5	03-005	DRAWER 2 PANEL 5	1
6	HiTech Insert Handle L3 H1 D0.6	INSERT HANDLE	1



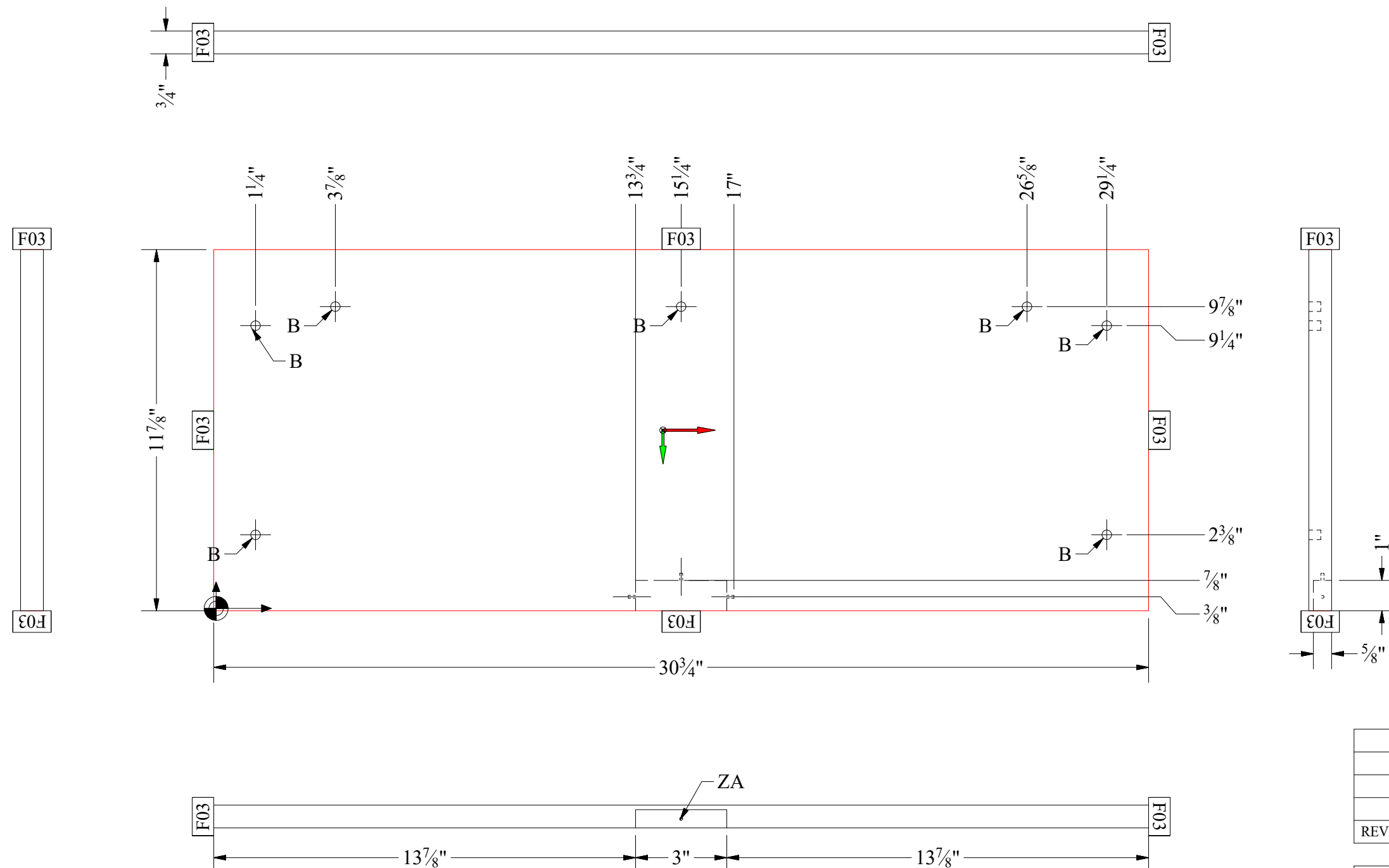
REV:	DESCRIPTION	BY:	DATE:

Hi-Tech iSolutions LLP
 Commerce House-4,
 9th Floor, Prahaladnagar, Ahmedabad
 Phone:+91-794-000-3000
 www.hitechdigital.com

TITLE: GLASS TOP TABLE

JOB#: 10-000	DRAWN: Hi-Tech	REV:
DATE: 12-23-2020	SCALE: 1/8	PAGE: 25 of 52

ID	Hole	Counter Hole	Qty	Side	Comment
ZA	Ø 1/8 - 1/4 DEEP		1	EDGE	
B	Ø 3/8 - 3/8 DEEP		7	AS SHOWN	



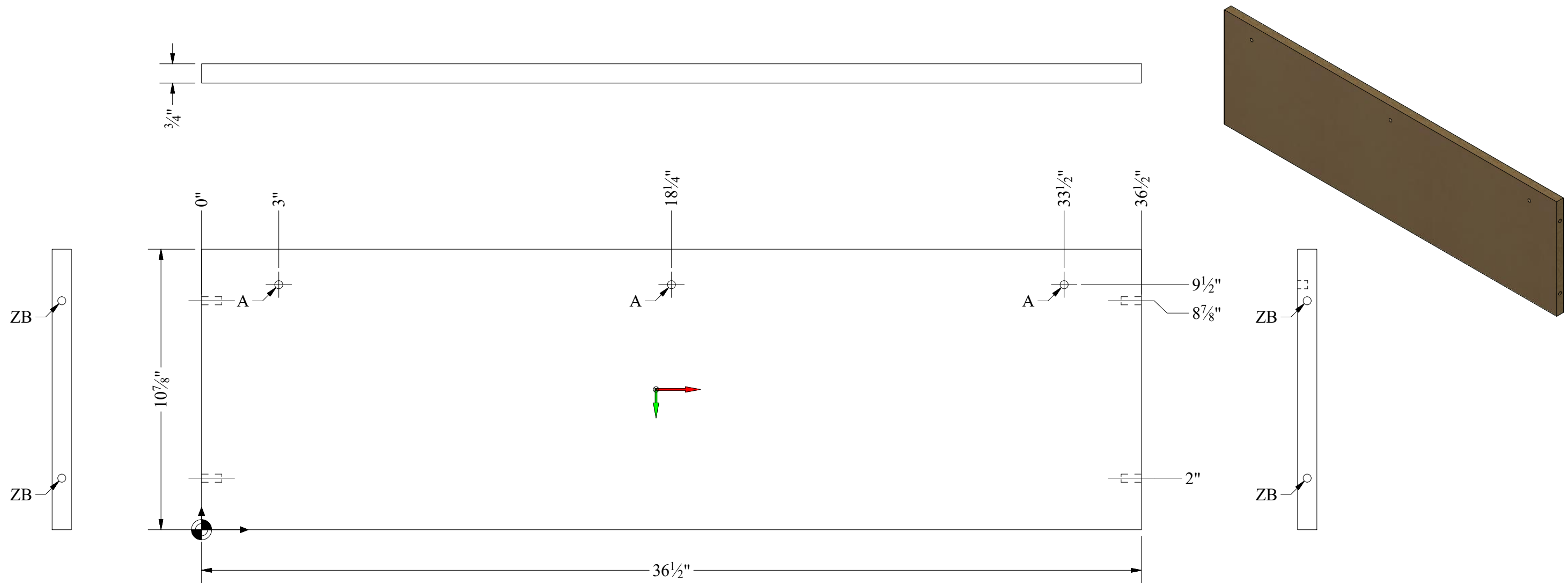
REV:	DESCRIPTION	BY:	DATE:


Hi-Tech iSolutions LLP
 Commerce House-4,
 9th Floor, Prahaladnagar, Ahmedabad
 Phone: +91-794-000-3000
 www.hitechdigital.com

TITLE: GLASS TOP TABLE		
JOB#:	DRAWN:	REV:
10-000	Hi-Tech	
DATE:	SCALE:	PAGE:
12-23-2020	1/4	26 of 52

03-001	DRAWER 2 PANEL 1		
Part Size:	30 3/4x11 7/8x3/4		
Workpiece Size:	30 5/8x11 3/4x3/4		
Material properties			
Code:	LMDF	Name:	Laminated Medium Density Fiberboard
Color properties			
Code:	B01	Name:	Body 01 group color

ID	Hole	Counter Hole	Qty	Side	Comment
A	Ø 3/8 - 3/8 DEEP		3	AS SHOWN	
ZB	Ø 3/8 - 3/4 DEEP		4	EDGE	



REV:	DESCRIPTION	BY:	DATE:

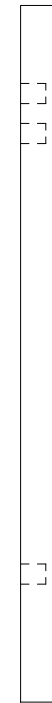
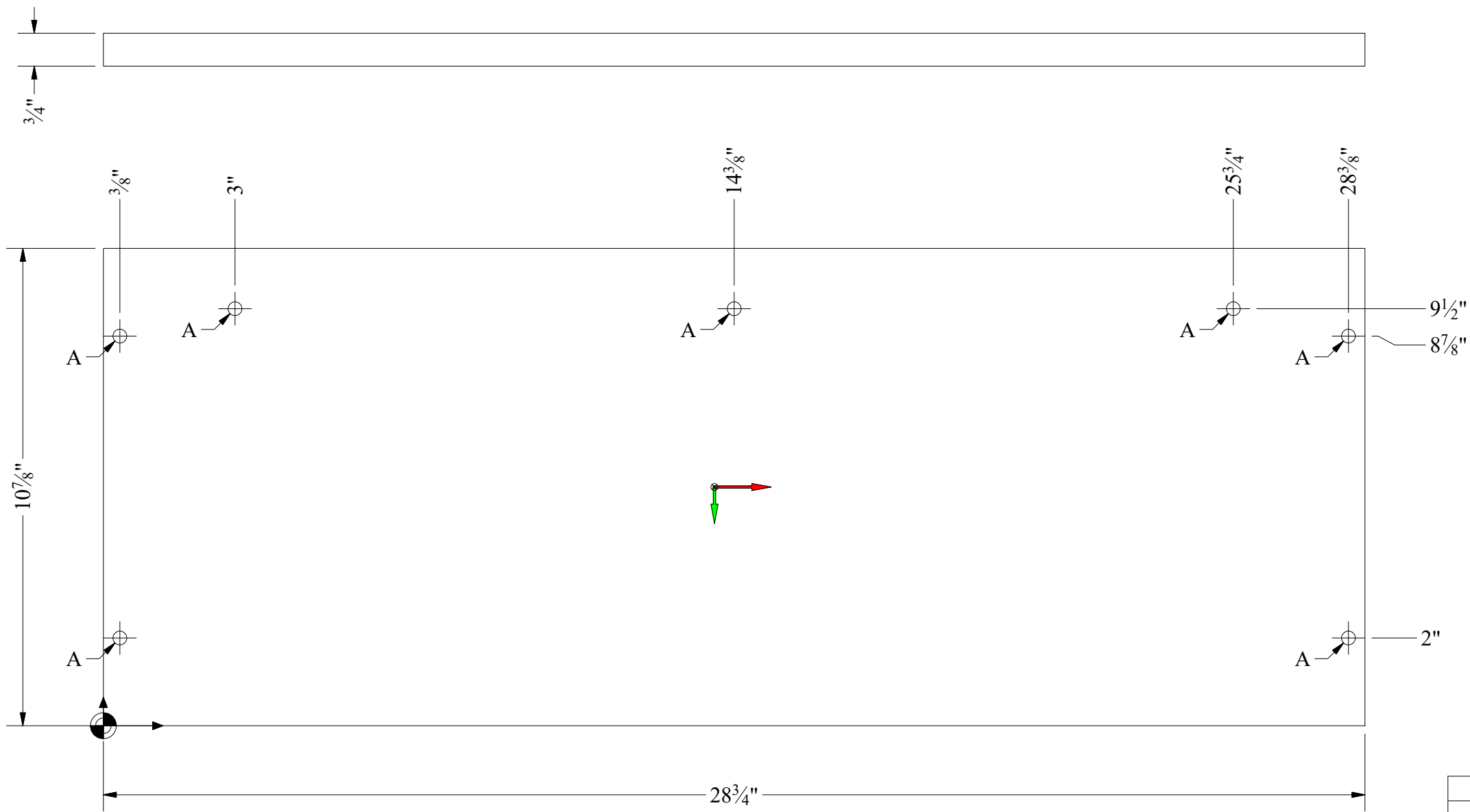

Hi-Tech iSolutions LLP
 Commerce House-4,
 9th Floor, Prahaladnagar, Ahmedabad
 Phone:+91-794-000-3000
 www.hitechdigital.com

TITLE: GLASS TOP TABLE

JOB#:	DRAWN:	REV:
10-000	Hi-Tech	
DATE:	SCALE:	PAGE:
12-23-2020	1/4	27 of 52

03-002	DRAWER 2 PANEL 2		
Part Size:	36 1/2x10 7/8x3/4		
Workpiece Size:	36 1/2x10 7/8x3/4		
Material properties			
Code:	LMDF	Name:	Laminated Medium Density Fiberboard
Color properties			
Code:	F03	Name:	Facade 03 group color

ID	Hole	Counter Hole	Qty	Side	Comment
A	Ø 3/8 - 3/8 DEEP		7	AS SHOWN	



REV:	DESCRIPTION	BY:	DATE:

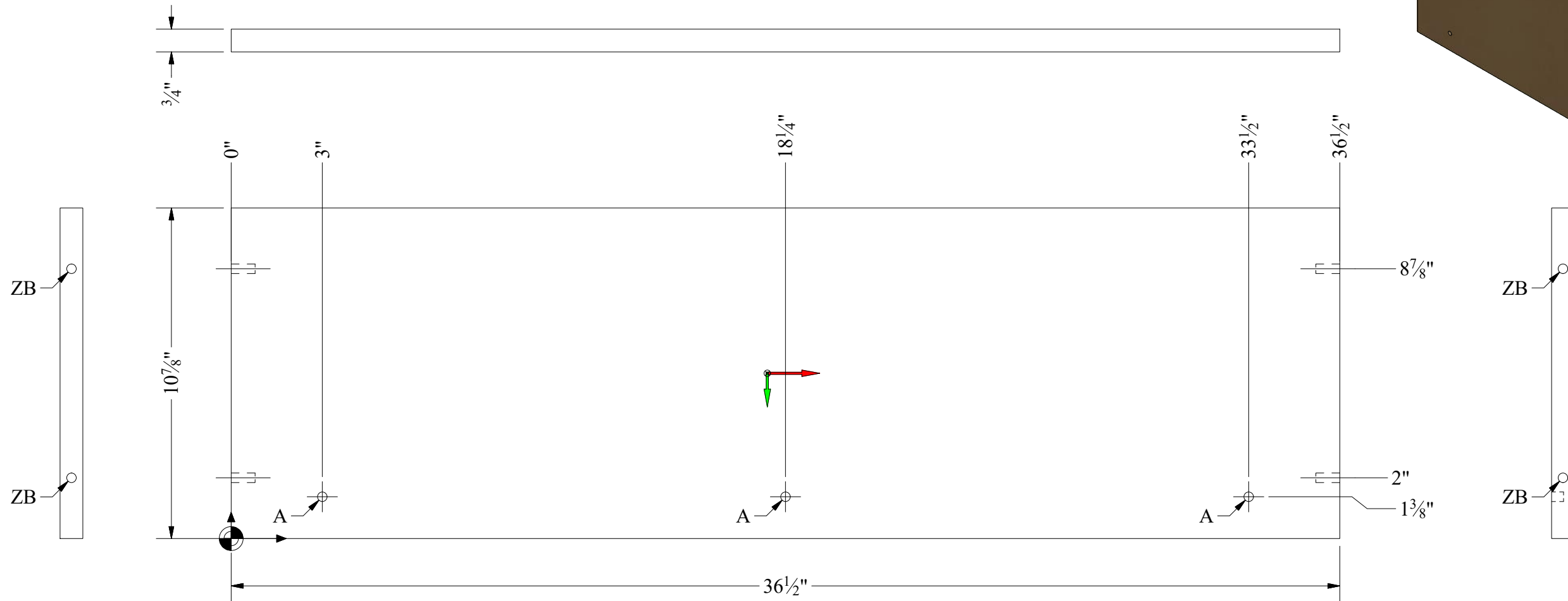
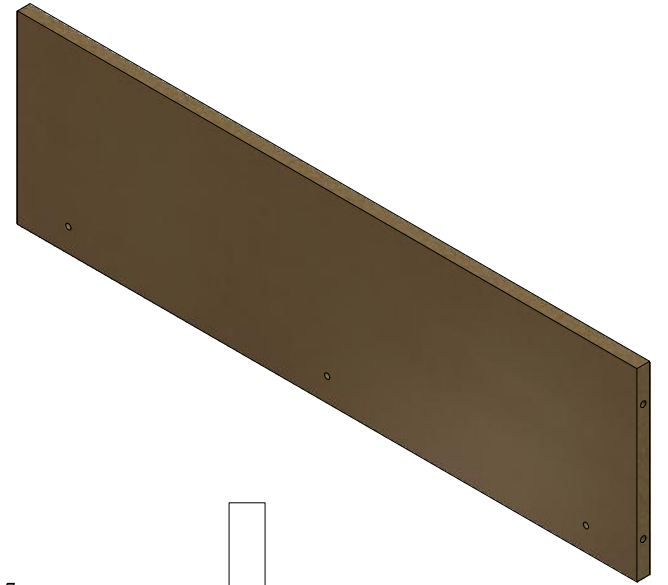

Hi-Tech iSolutions LLP
 Commerce House-4,
 9th Floor, Prahaladnagar, Ahmedabad
 Phone:+91-794-000-3000
 www.hitechdigital.com

TITLE: GLASS TOP TABLE

JOB#:	DRAWN:	REV:
10-000	Hi-Tech	
DATE:	SCALE:	PAGE:
12-23-2020	1/3	28 of 52

03-003	DRAWER 2 PANEL 3		
Part Size:	28 3/4x10 7/8x3/4		
Workpiece Size:	28 3/4x10 7/8x3/4		
Material properties			
Code:	LMDF	Name:	Laminated Medium Density Fiberboard
Color properties			
Code:	F03	Name:	Facade 03 group color

ID	Hole	Counter Hole	Qty	Side	Comment
A	∅ 3/8 - 3/8 DEEP		3	AS SHOWN	
ZB	∅ 3/8 - 3/4 DEEP		4	EDGE	



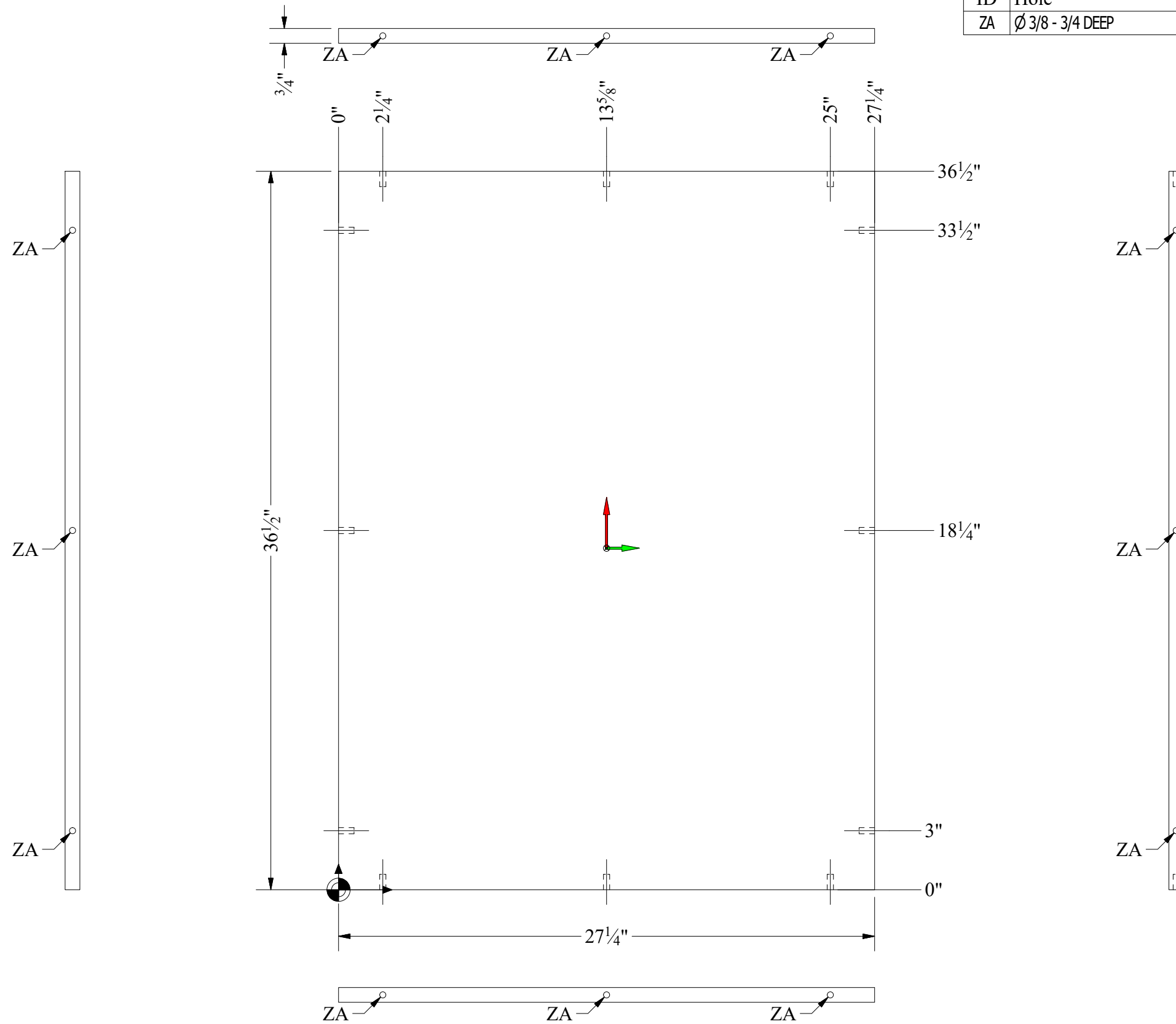
REV:	DESCRIPTION	BY:	DATE:


Hi-Tech iSolutions LLP
 Commerce House-4,
 9th Floor, Prahaladnagar, Ahmedabad
 Phone: +91-794-000-3000
 www.hitechdigital.com

03-004		DRAWER 2 PANEL 4	
Part Size:	36 1/2x10 7/8x3/4		
Workpiece Size:	36 1/2x10 7/8x3/4		
Material properties			
Code:	LMDF	Name:	Laminated Medium Density Fiberboard
Color properties			
Code:	F03	Name:	Facade 03 group color

TITLE: GLASS TOP TABLE		
JOB#:	DRAWN:	REV:
10-000	Hi-Tech	
DATE:	SCALE:	PAGE:
12-23-2020	1/4	29 of 52

ID	Hole	Counter Hole	Qty	Side	Comment
ZA	Ø 3/8 - 3/4 DEEP		12	EDGE	



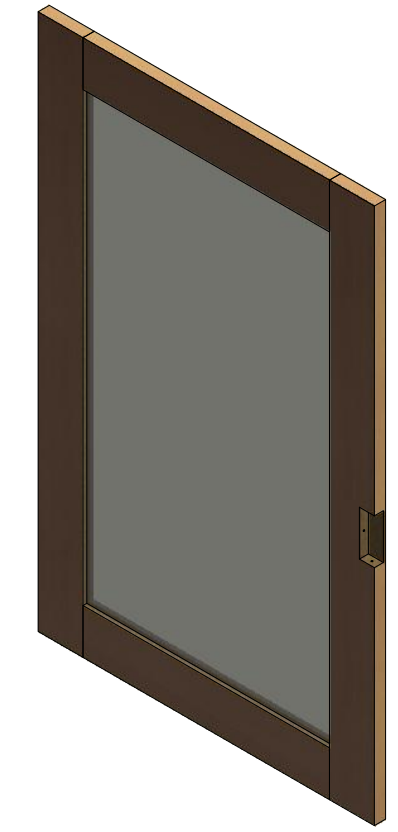
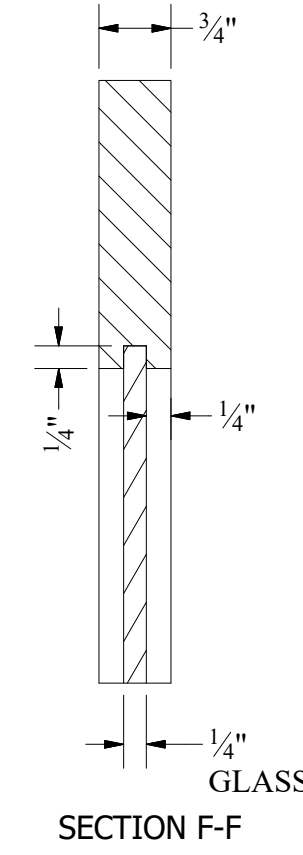
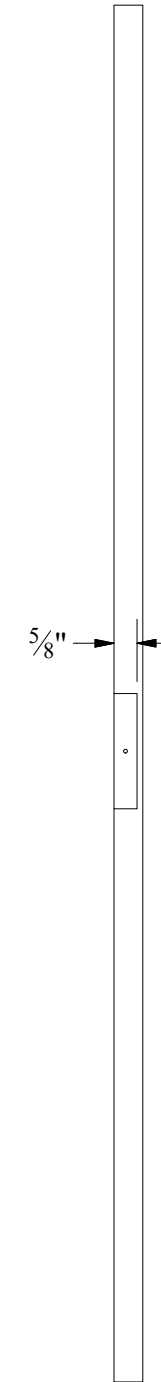
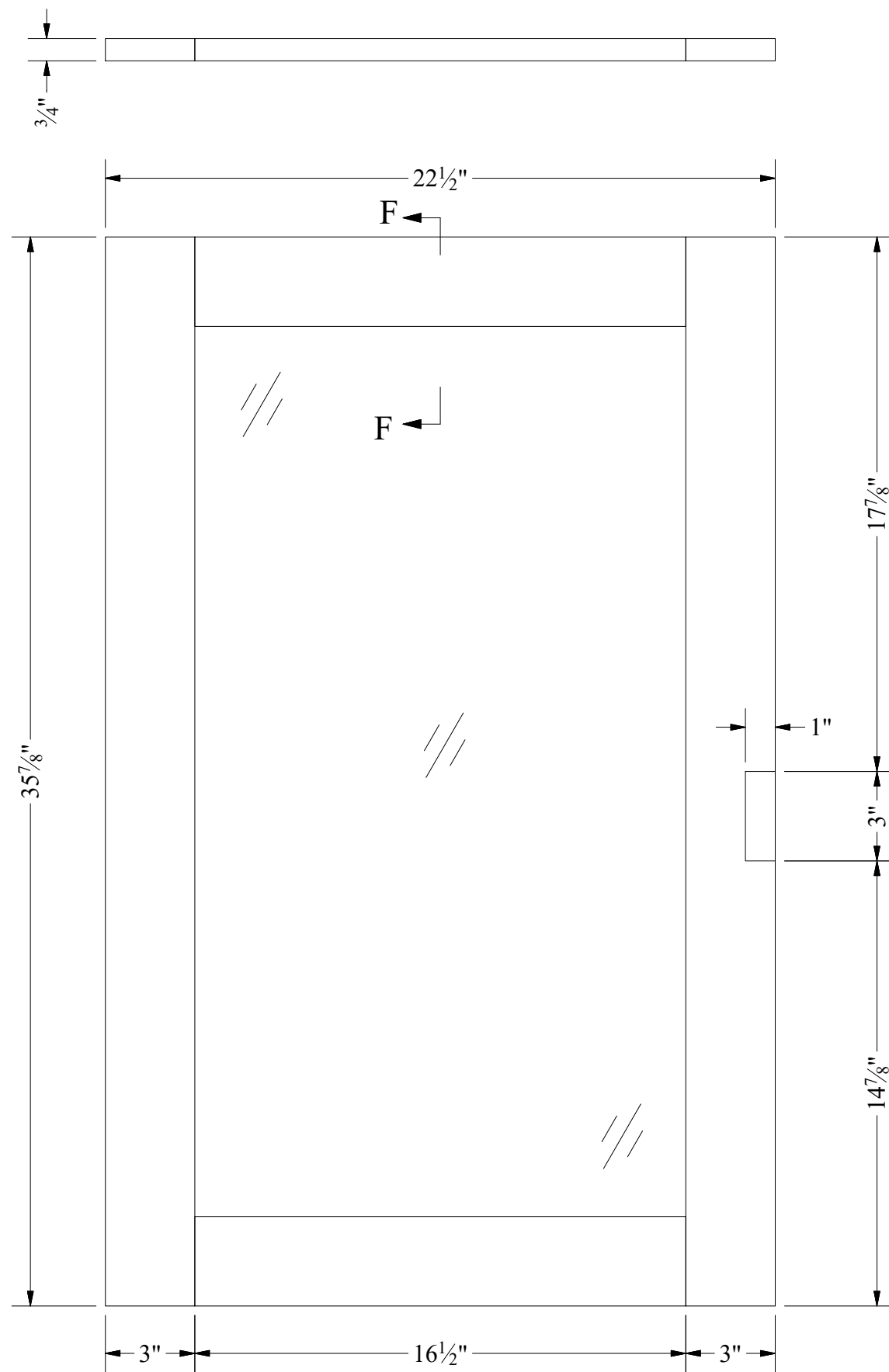
REV:	DESCRIPTION	BY:	DATE:


Hi-Tech iSolutions LLP
 Commerce House-4,
 9th Floor, Prahaladnagar, Ahmedabad
 Phone:+91-794-000-3000
 www.hitechdigital.com

TITLE: GLASS TOP TABLE

JOB#:	DRAWN:	REV:
10-000	Hi-Tech	
DATE:	SCALE:	PAGE:
12-23-2020	1/6	30 of 52

03-005	DRAWER 2 PANEL 5		
Part Size:	36 1/2x27 1/4x3/4		
Workpiece Size:	36 1/2x27 1/4x3/4		
Material properties			
Code:	LMDF	Name:	Laminated Medium Density Fiberboard
Color properties			
Code:	F03	Name:	Facade 03 group color

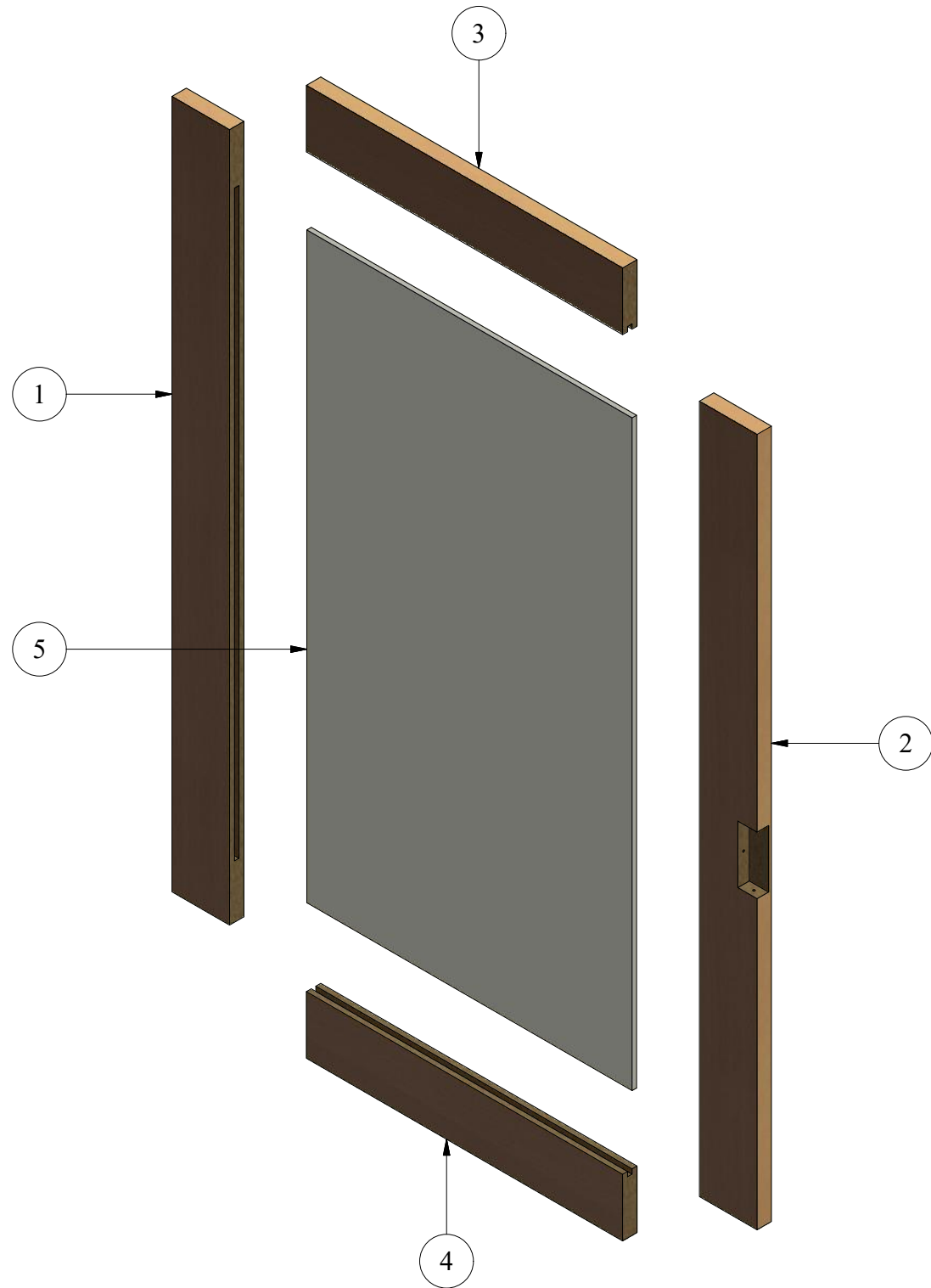


REV:	DESCRIPTION	BY:	DATE:

Hi-Tech iSolutions LLP
 Commerce House-4,
 9th Floor, Prahaladnagar, Ahmedabad
 Phone: +91-794-000-3000
 www.hitechdigital.com

TITLE: GLASS TOP TABLE

JOB#: 10-000	DRAWN: Hi-Tech	REV:
DATE: 12-23-2020	SCALE: 1/5	PAGE: 31 of 52



PARTS LIST			
ITEM	PART NUMBER	DESCRIPTION	QTY
1	04-001	LEFT DOOR PANEL 1	1
2	04-002	LEFT DOOR PANEL 2	1
3	04-003	LEFT DOOR PANEL 3	1
4	04-004	LEFT DOOR PANEL 4	1
5	04-005	LEFT DOOR GLASS	1

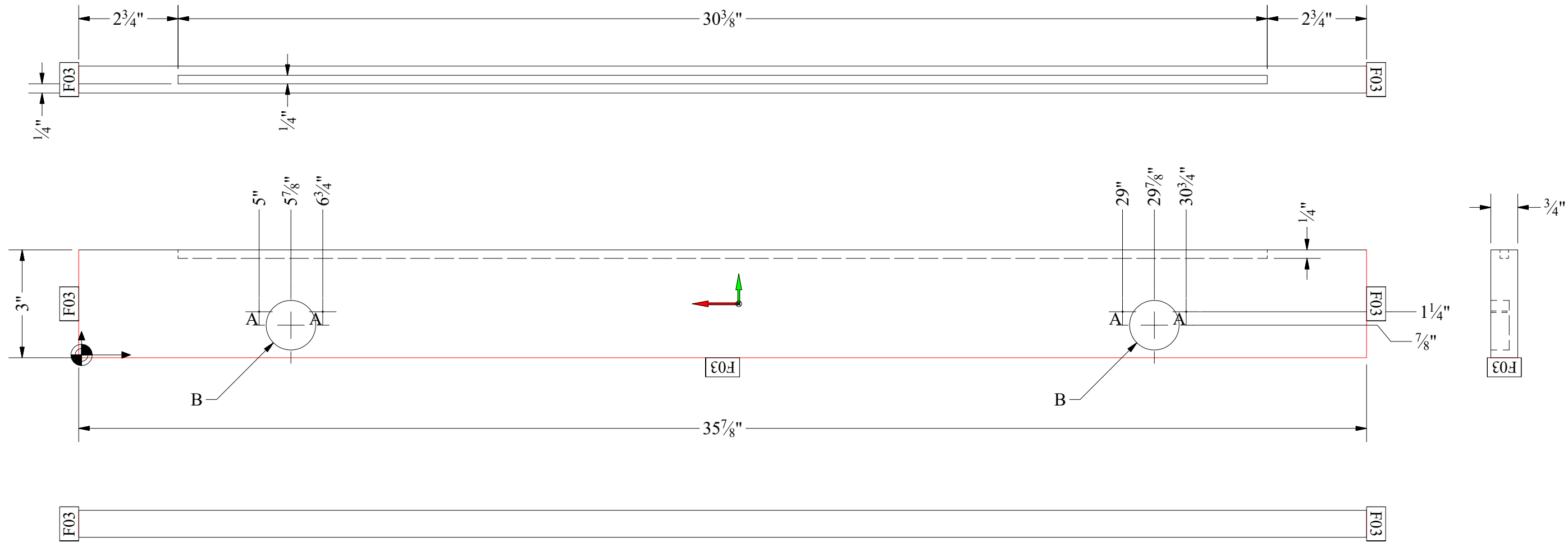
REV:	DESCRIPTION	BY:	DATE:

Hi-Tech iSolutions LLP
 Commerce House-4,
 9th Floor, Prahaladnagar, Ahmedabad
 Phone:+91-794-000-3000
 www.hitechdigital.com

TITLE: GLASS TOP TABLE

JOB#:	DRAWN:	REV:
10-000	Hi-Tech	
DATE:	SCALE:	PAGE:
12-23-2020	1/6	32 of 52

ID	Hole	Counter Hole	Qty	Side	Comment
A	∅0 - 1/8 DEEP		4	AS SHOWN	
B	∅1 3/8 - 1/2 DEEP		2	AS SHOWN	



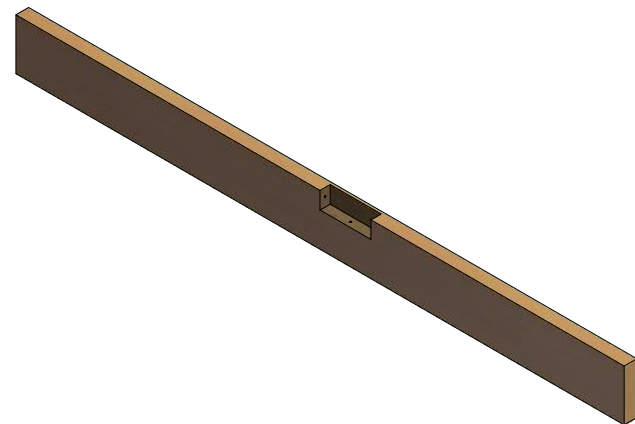
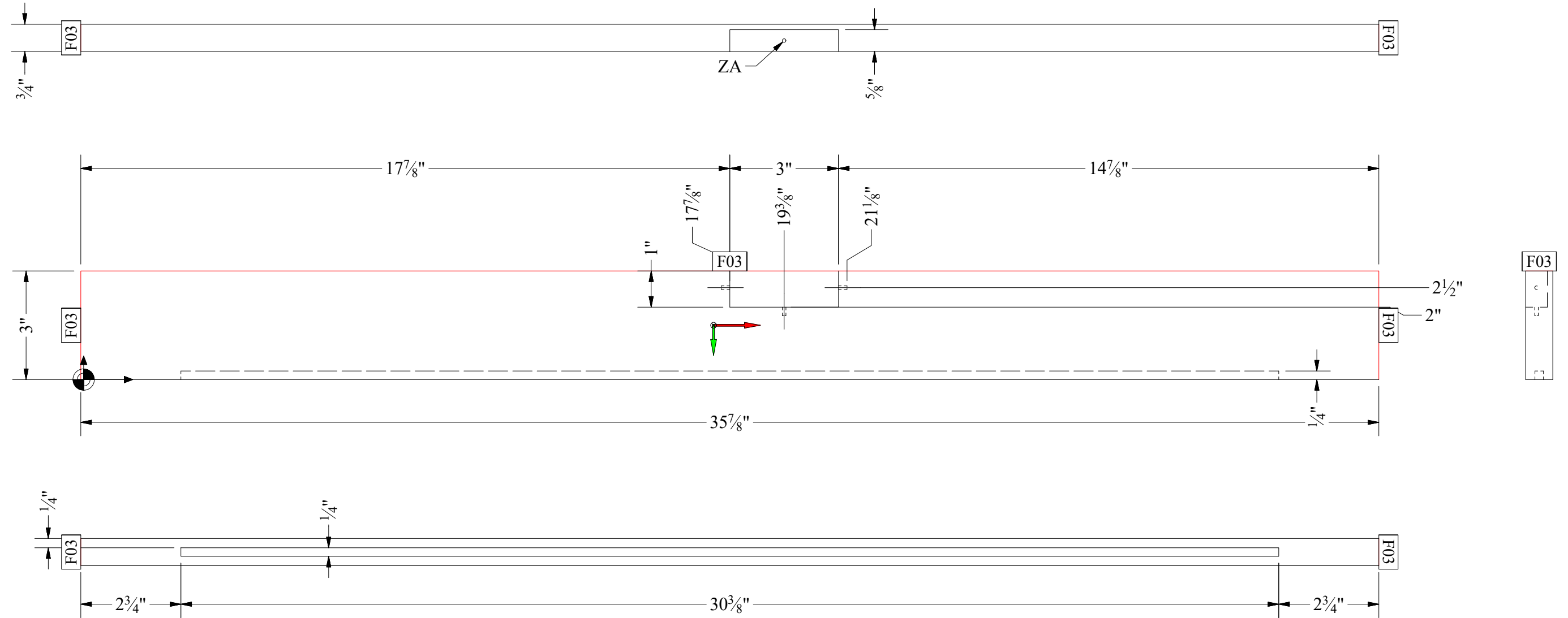
REV:	DESCRIPTION	BY:	DATE:


Hi-Tech iSolutions LLP
 Commerce House-4,
 9th Floor, Prahaladnagar, Ahmedabad
 Phone:+91-794-000-3000
 www.hitechdigital.com

TITLE: GLASS TOP TABLE		
JOB#:	DRAWN:	REV:
10-000	Hi-Tech	
DATE:	SCALE:	PAGE:
12-23-2020	1/3	33 of 52

04-001	LEFT DOOR PANEL 1		
Part Size:	35 7/8x3x3/4		
Workpiece Size:	35 5/8x2 7/8x3/4		
Material properties			
Code:	LMDF	Name:	Laminated Medium Density Fiberboard
Color properties			
Code:	B01	Name:	Body 01 group color

ID	Hole	Counter Hole	Qty	Side	Comment
ZA	Ø 1/8 - 1/4 DEEP		1	EDGE	

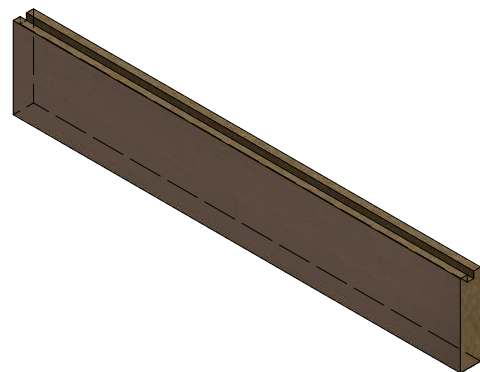
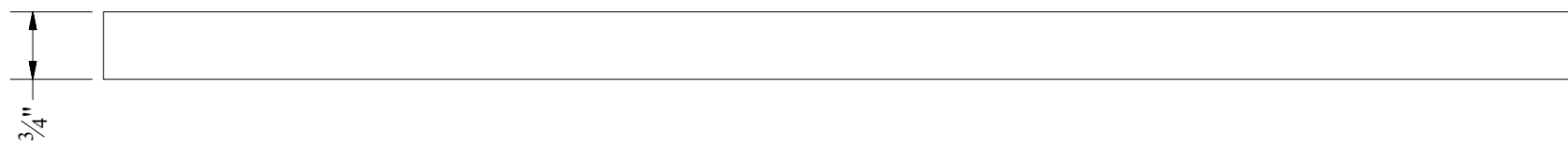
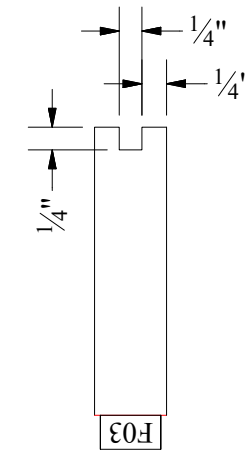
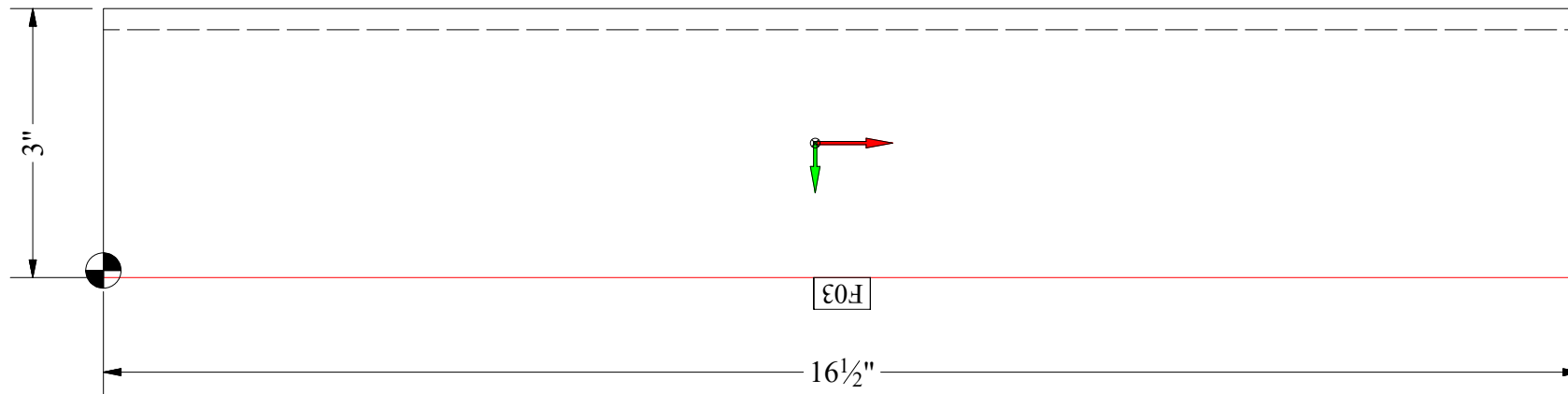


REV:	DESCRIPTION	BY:	DATE:


Hi-Tech iSolutions LLP
 Commerce House-4,
 9th Floor, Prahaladnagar, Ahmedabad
 Phone:+91-794-000-3000
 www.hitechdigital.com

04-002	LEFT DOOR PANEL 2		
Part Size:	35 7/8x3x3/4		
Workpiece Size:	35 5/8x2 7/8x3/4		
Material properties			
Code:	LMDF	Name:	Laminated Medium Density Fiberboard
Color properties			
Code:	B01	Name:	Body 01 group color

TITLE: GLASS TOP TABLE		
JOB#:	DRAWN:	REV:
10-000	Hi-Tech	
DATE:	SCALE:	PAGE:
12-23-2020	1/4	34 of 52



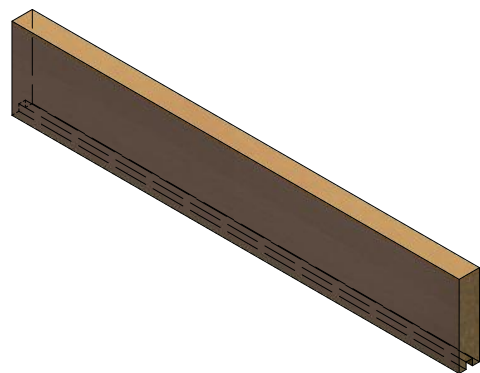
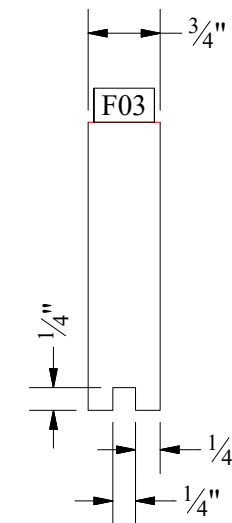
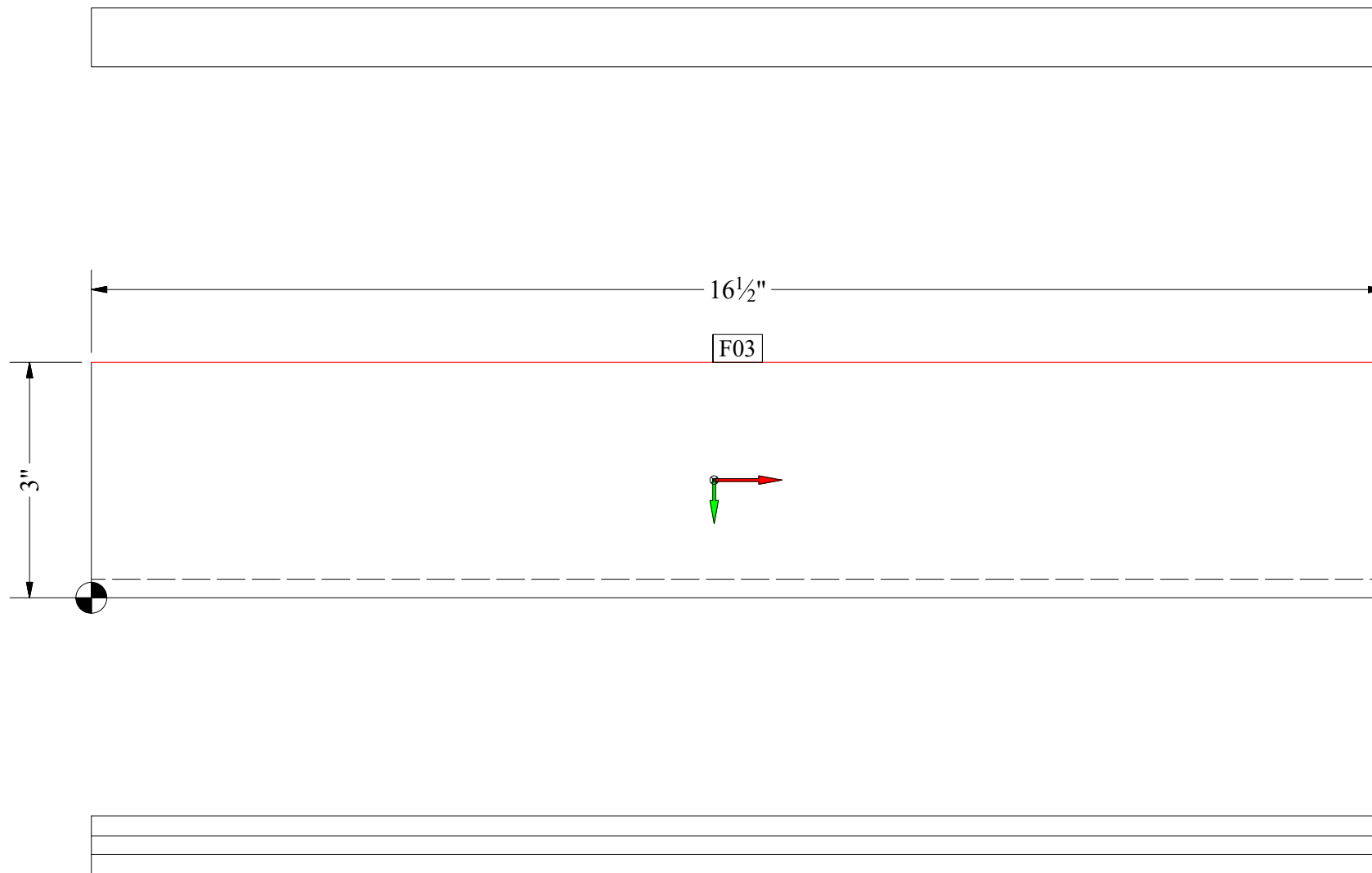
REV:	DESCRIPTION	BY:	DATE:


Hi-Tech iSolutions LLP
 Commerce House-4,
 9th Floor, Prahaladnagar, Ahmedabad
 Phone:+91-794-000-3000
 www.hitechdigital.com

TITLE: GLASS TOP TABLE

JOB#:	DRAWN:	REV:
10-000	Hi-Tech	
DATE:	SCALE:	PAGE:
12-23-2020	1/2	35 of 52

04-003	LEFT DOOR PANEL 3		
Part Size:	16 1/2x3x3/4		
Workpiece Size:	16 1/2x2 7/8x3/4		
Material properties			
Code:	LMDF	Name:	Laminated Medium Density Fiberboard
Color properties			
Code:	B01	Name:	Body 01 group color

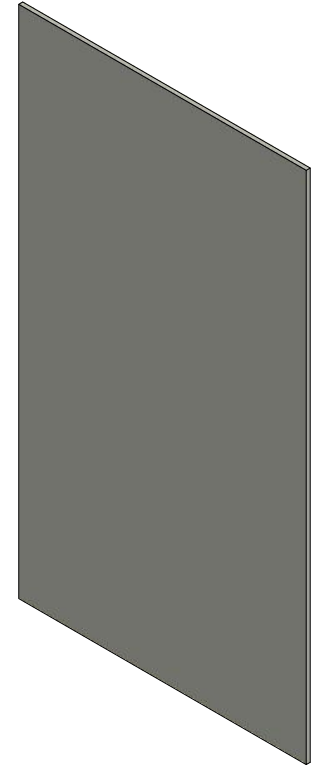
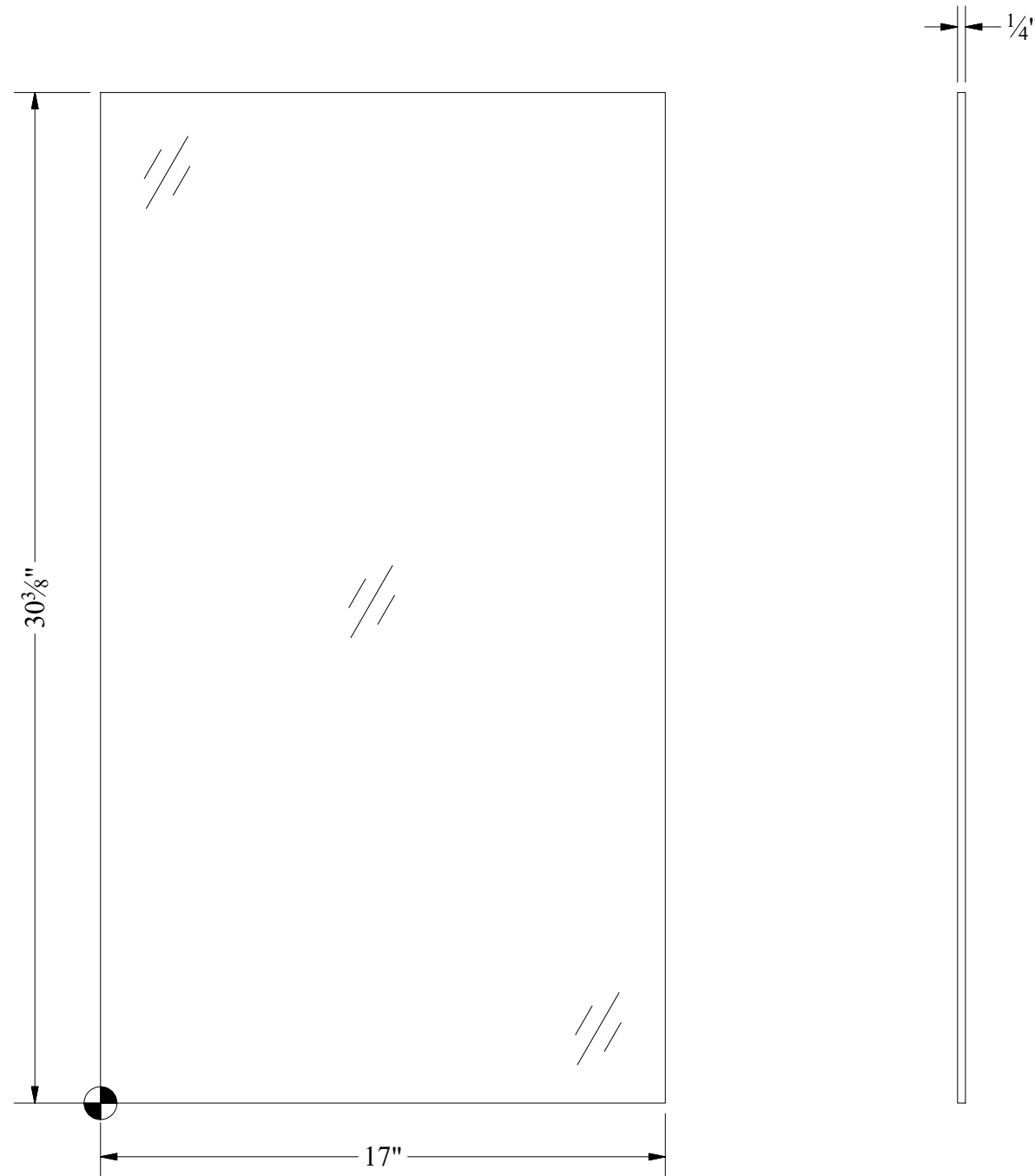


REV:	DESCRIPTION	BY:	DATE:

04-004	LEFT DOOR PANEL 4		
Part Size:	16 1/2x3x3/4		
Workpiece Size:	16 1/2x2 7/8x3/4		
Material properties			
Code:	LMDF	Name:	Laminated Medium Density Fiberboard
Color properties			
Code:	B01	Name:	Body 01 group color


Hi-Tech iSolutions LLP
 Commerce House-4,
 9th Floor, Prahaladnagar, Ahmedabad
 Phone:+91-794-000-3000
 www.hitechdigital.com

TITLE: GLASS TOP TABLE		
JOB#:	DRAWN:	REV:
10-000	Hi-Tech	
DATE:	SCALE:	PAGE:
12-23-2020	1/2	36 of 52



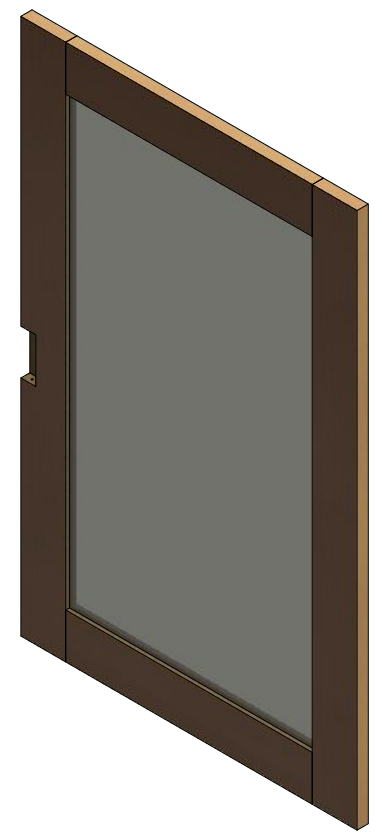
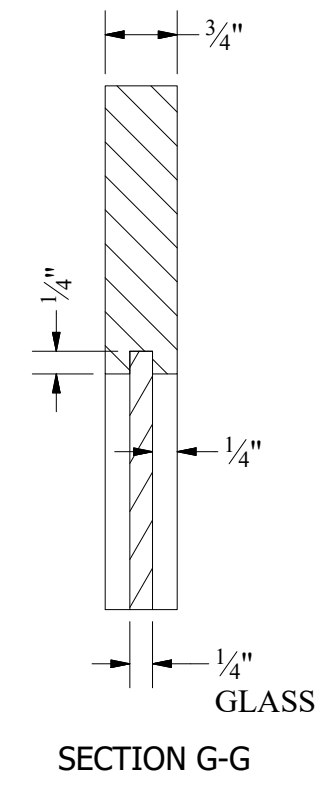
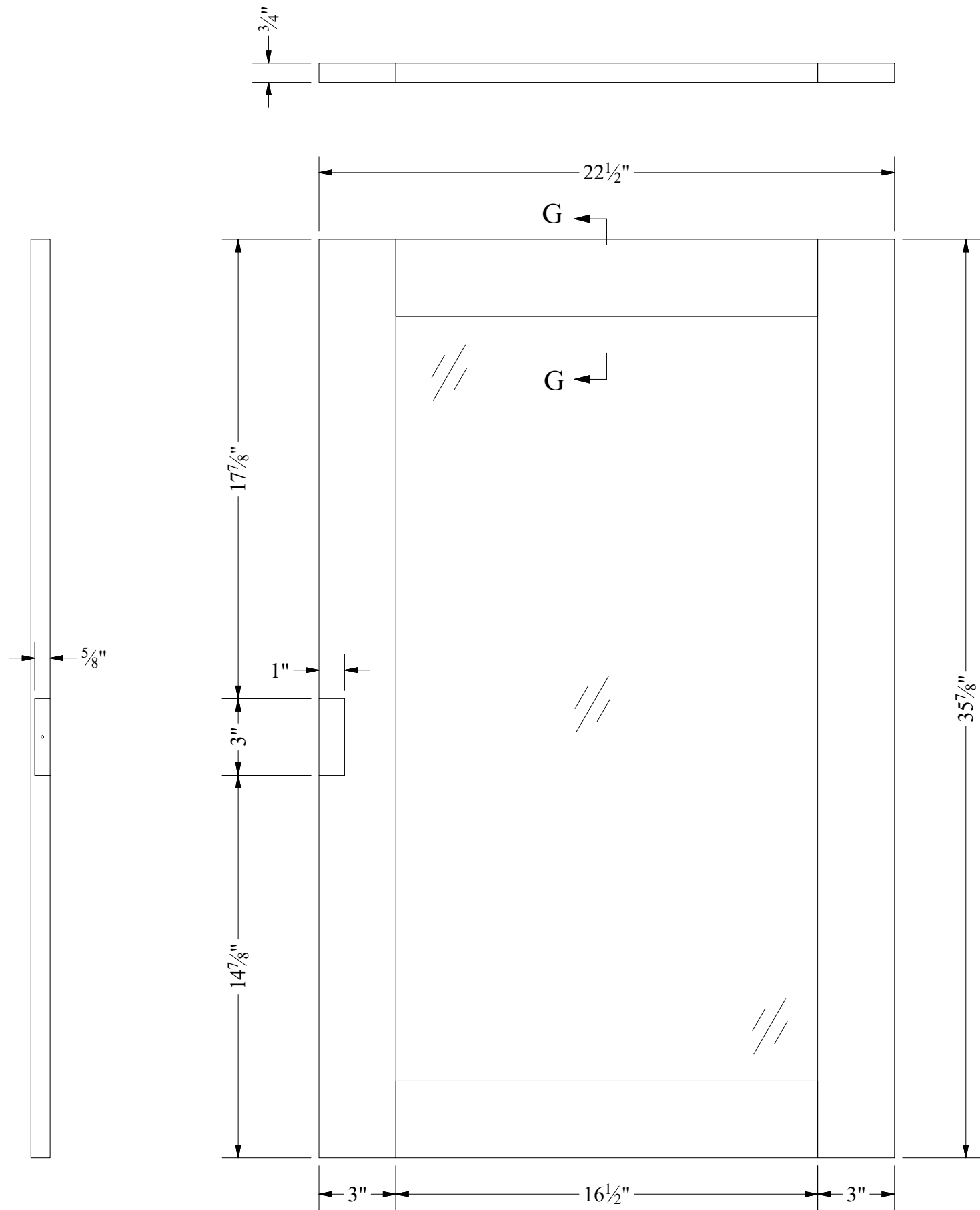
REV:	DESCRIPTION	BY:	DATE:


Hi-Tech iSolutions LLP
 Commerce House-4,
 9th Floor, Prahaladnagar, Ahmedabad
 Phone:+91-794-000-3000
 www.hitechdigital.com

TITLE: GLASS TOP TABLE

JOB#:	DRAWN:	REV:
10-000	Hi-Tech	
DATE:	SCALE:	PAGE:
12-23-2020	1/5	37 of 52

04-005	LEFT DOOR GLASS		
Part Size:	30 3/8x17x1/4		
Workpiece Size:	xx		
Material properties			
Code:		Name:	Glass
Color properties			
Code:		Name:	Clear



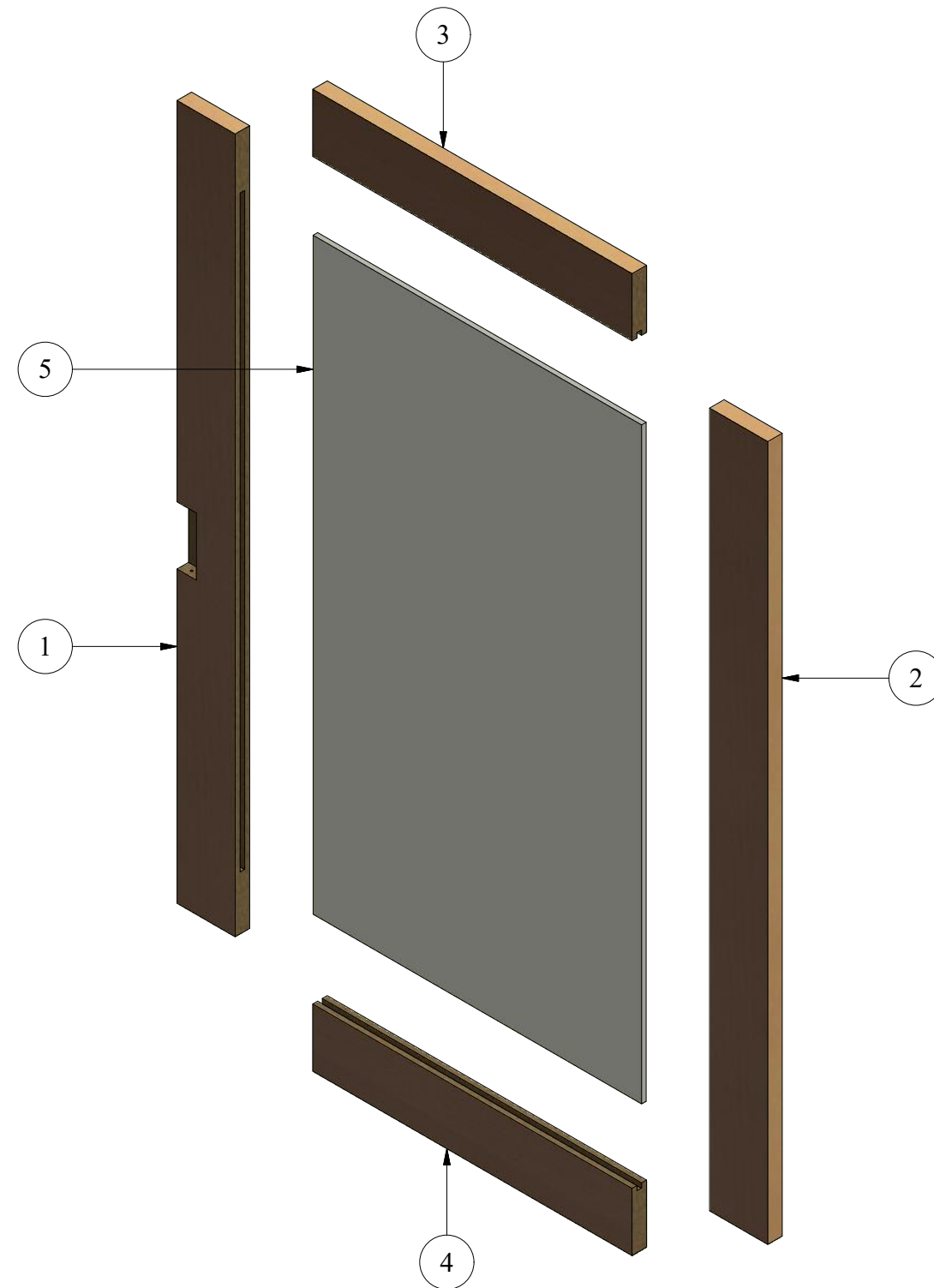
REV:	DESCRIPTION	BY:	DATE:

Hi-Tech iSolutions LLP
 Commerce House-4,
 9th Floor, Prahaladnagar, Ahmedabad
 Phone: +91-794-000-3000
 www.hitechdigital.com

TITLE: GLASS TOP TABLE

JOB#: 10-000	DRAWN: Hi-Tech	REV:
DATE: 12-23-2020	SCALE: 1/5	PAGE: 38 of 52

PARTS LIST			
ITEM	PART NUMBER	DESCRIPTION	QTY
1	05-001	RIGHT DOOR PANEL 1	1
2	05-002	RIGHT DOOR PANEL 2	1
3	05-003	RIGHT DOOR PANEL 3	1
4	05-004	RIGHT DOOR PANEL 4	1
5	05-005	RIGHT DOOR GLASS	1



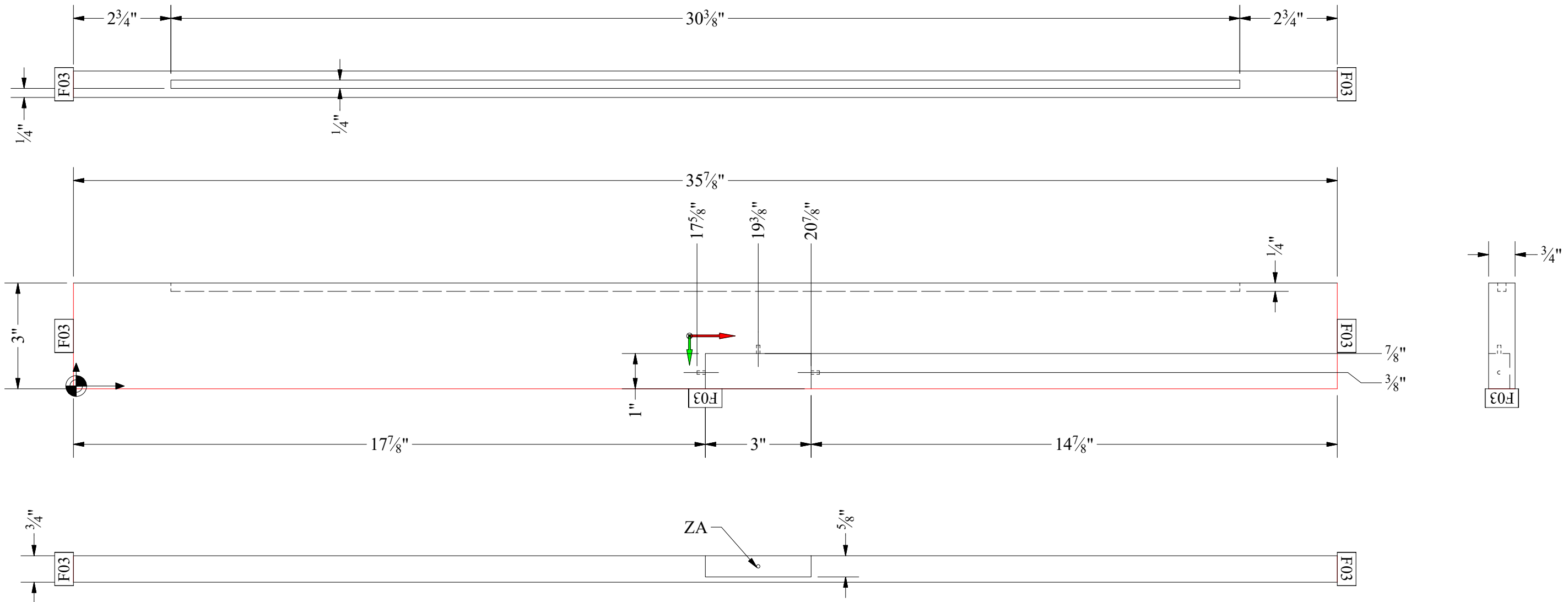
REV:	DESCRIPTION	BY:	DATE:


Hi-Tech iSolutions LLP
 Commerce House-4,
 9th Floor, Prahaladnagar, Ahmedabad
 Phone:+91-794-000-3000
 www.hitechdigital.com

TITLE: GLASS TOP TABLE

JOB#:	DRAWN:	REV:
10-000	Hi-Tech	
DATE:	SCALE:	PAGE:
12-23-2020	1/6	39 of 52

ID	Hole	Counter Hole	Qty	Side	Comment
ZA	Ø 1/8 - 1/4 DEEP		1	EDGE	



REV:	DESCRIPTION	BY:	DATE:

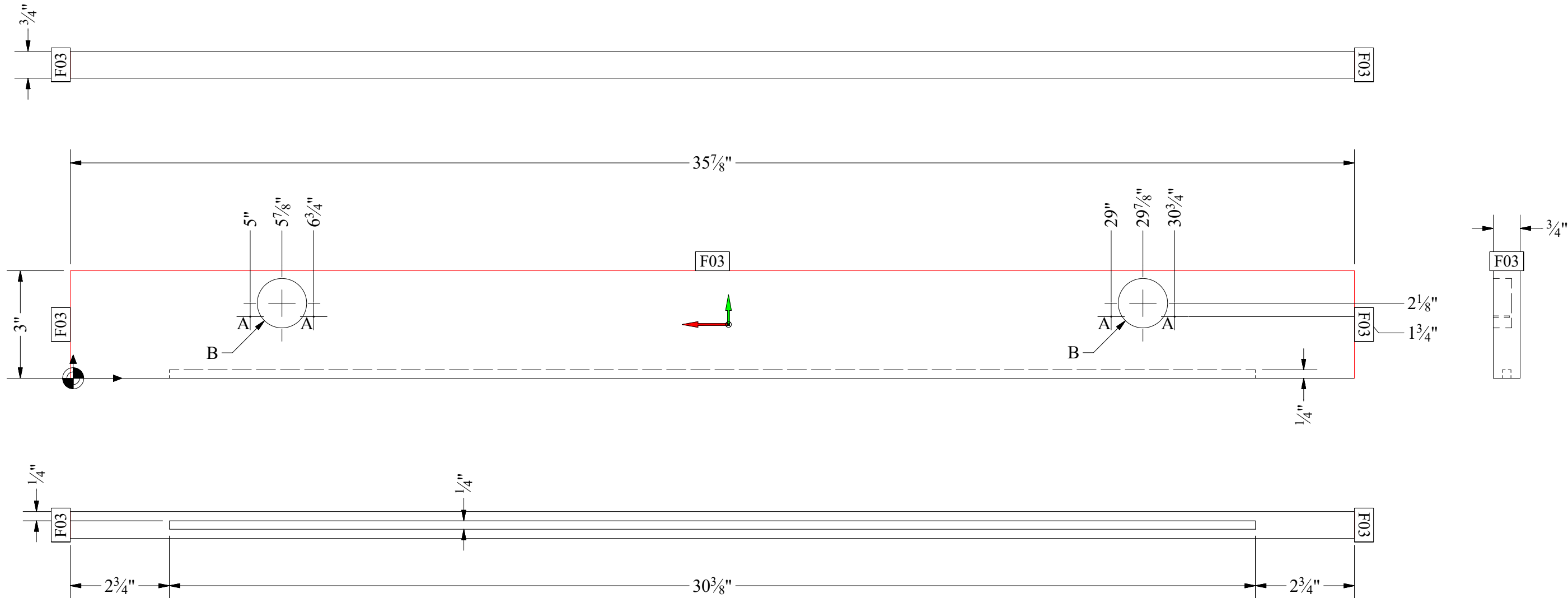

Hi-Tech iSolutions LLP
 Commerce House-4,
 9th Floor, Prahaladnagar, Ahmedabad
 Phone:+91-794-000-3000
 www.hitechdigital.com

TITLE: GLASS TOP TABLE

JOB#:	DRAWN:	REV:
10-000	Hi-Tech	
DATE:	SCALE:	PAGE:
12-23-2020	1/3	40 of 52

05-001	RIGHT DOOR PANEL 1		
Part Size:	35 7/8x3x3/4		
Workpiece Size:	35 5/8x2 7/8x3/4		
Material properties			
Code:	LMDF	Name:	Laminated Medium Density Fiberboard
Color properties			
Code:	B01	Name:	Body 01 group color

ID	Hole	Counter Hole	Qty	Side	Comment
A	Ø 0 - 1/8 DEEP		4	AS SHOWN	
B	Ø 1 3/8 - 1/2 DEEP		2	AS SHOWN	



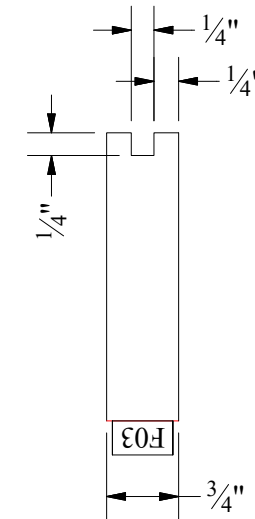
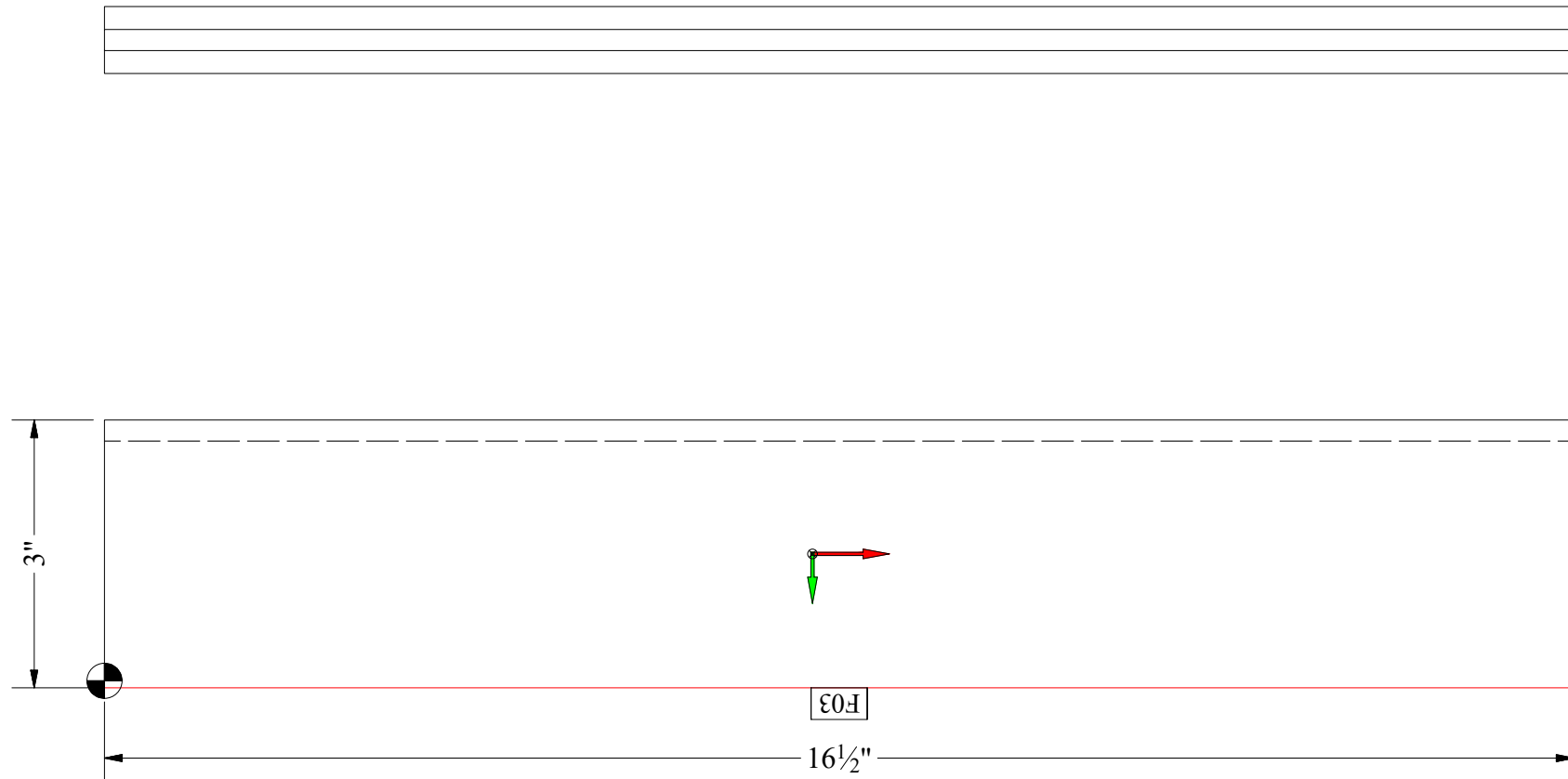
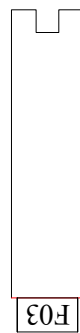
REV:	DESCRIPTION	BY:	DATE:


Hi-Tech iSolutions LLP
 Commerce House-4,
 9th Floor, Prahaladnagar, Ahmedabad
 Phone: +91-794-000-3000
 www.hitechdigital.com


TITLE: GLASS TOP TABLE		
JOB#:	DRAWN:	REV:
10-000	Hi-Tech	
DATE:	SCALE:	PAGE:
12-23-2020	1/4	41 of 52

05-002	RIGHT DOOR PANEL 2		
Part Size:	35 7/8x3x3/4		
Workpiece Size:	35 5/8x2 7/8x3/4		
Material properties			
Code:	LMDF	Name:	Laminated Medium Density Fiberboard
Color properties			
Code:	B01	Name:	Body 01 group color





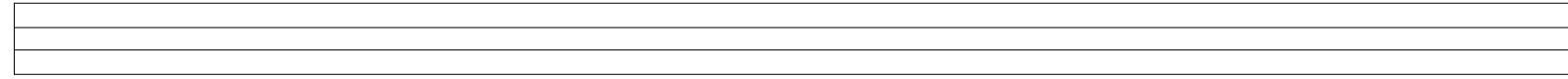
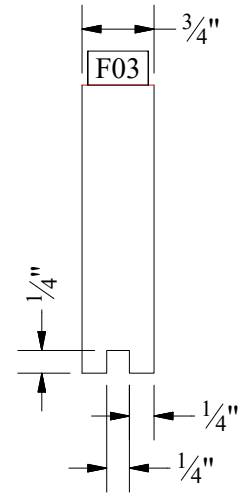
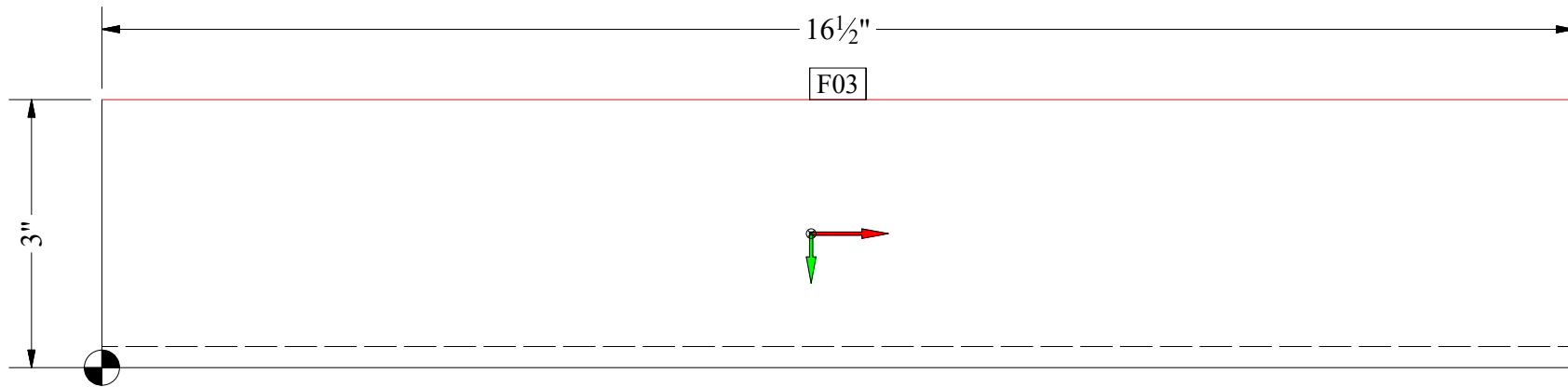
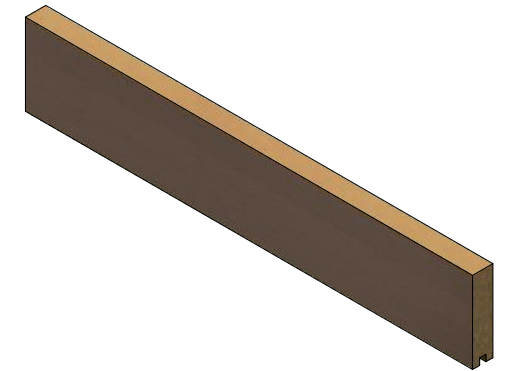
REV:	DESCRIPTION	BY:	DATE:


Hi-Tech iSolutions LLP
 Commerce House-4,
 9th Floor, Prahaladnagar, Ahmedabad
 Phone: +91-794-000-3000
 www.hitechdigital.com

TITLE: GLASS TOP TABLE

JOB#:	DRAWN:	REV:
10-000	Hi-Tech	
DATE:	SCALE:	PAGE:
12-23-2020	1/2	42 of 52

05-003	RIGHT DOOR PANEL 3		
Part Size:	16 1/2x3x3/4		
Workpiece Size:	16 1/2x2 7/8x3/4		
Material properties			
Code:	LMDF	Name:	Laminated Medium Density Fiberboard
Color properties			
Code:	B01	Name:	Body 01 group color



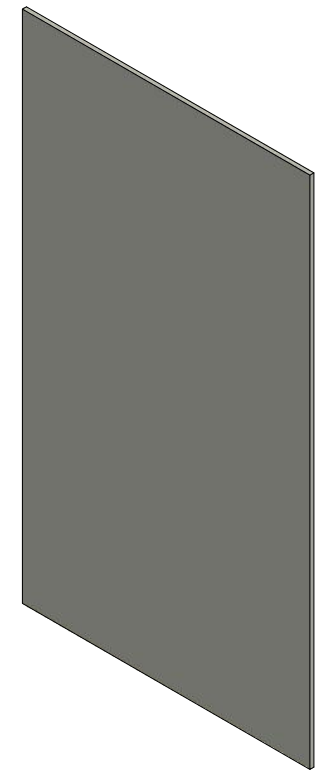
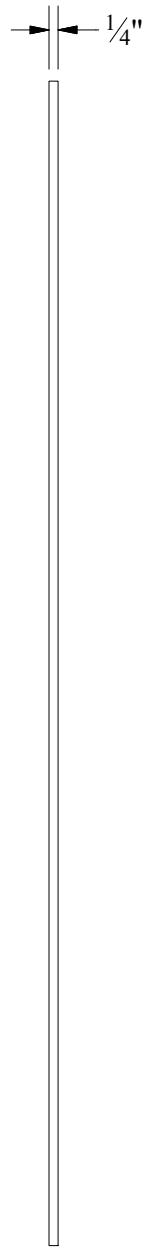
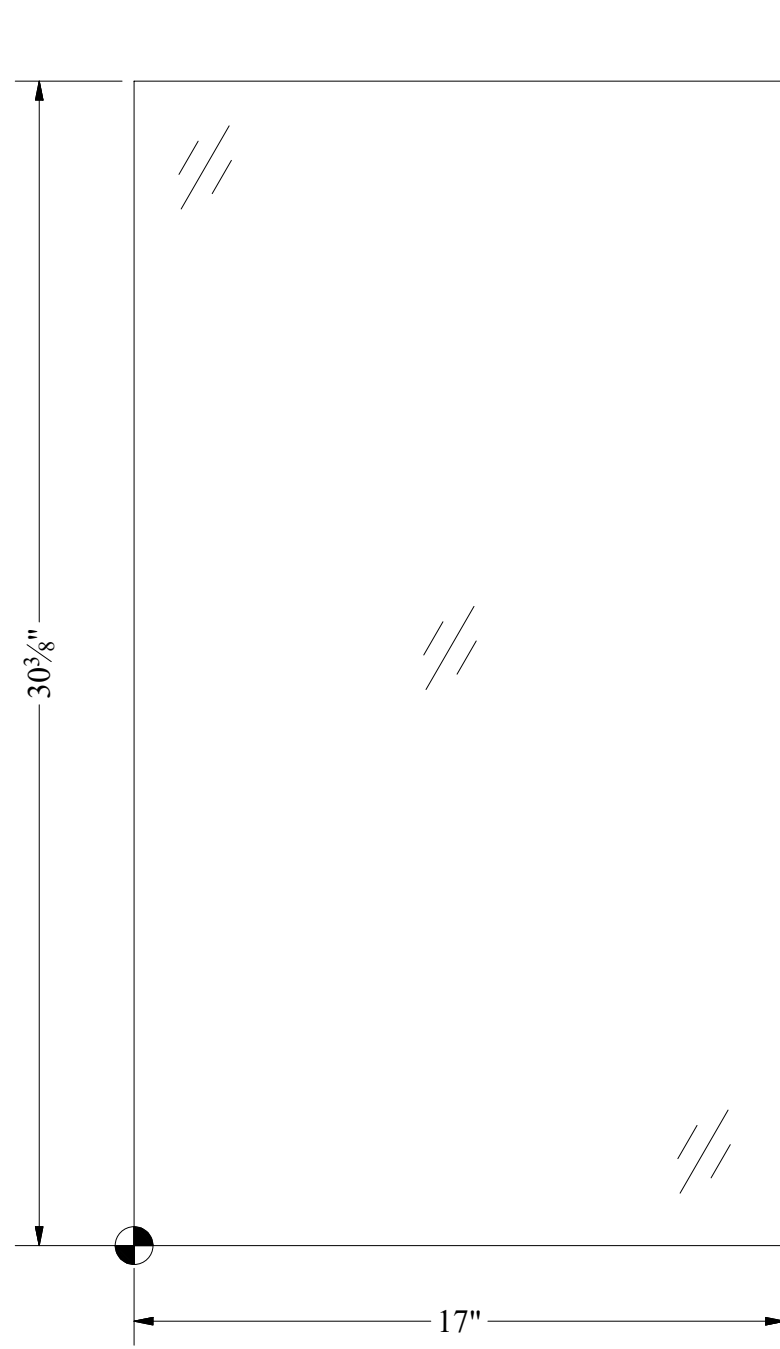
REV:	DESCRIPTION	BY:	DATE:


Hi-Tech iSolutions LLP
 Commerce House-4,
 9th Floor, Prahaladnagar, Ahmedabad
 Phone:+91-794-000-3000
 www.hitechdigital.com

TITLE: GLASS TOP TABLE

JOB#:	DRAWN:	REV:
10-000	Hi-Tech	
DATE:	SCALE:	PAGE:
12-23-2020	1/2	43 of 52

05-004	RIGHT DOOR PANEL 4		
Part Size:	16 1/2x3x3/4		
Workpiece Size:	16 1/2x2 7/8x3/4		
Material properties			
Code:	LMDF	Name:	Laminated Medium Density Fiberboard
Color properties			
Code:	B01	Name:	Body 01 group color



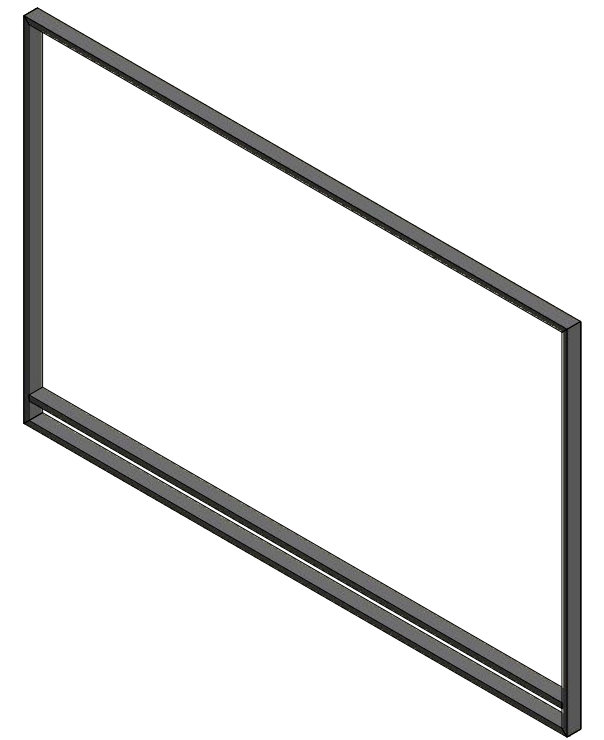
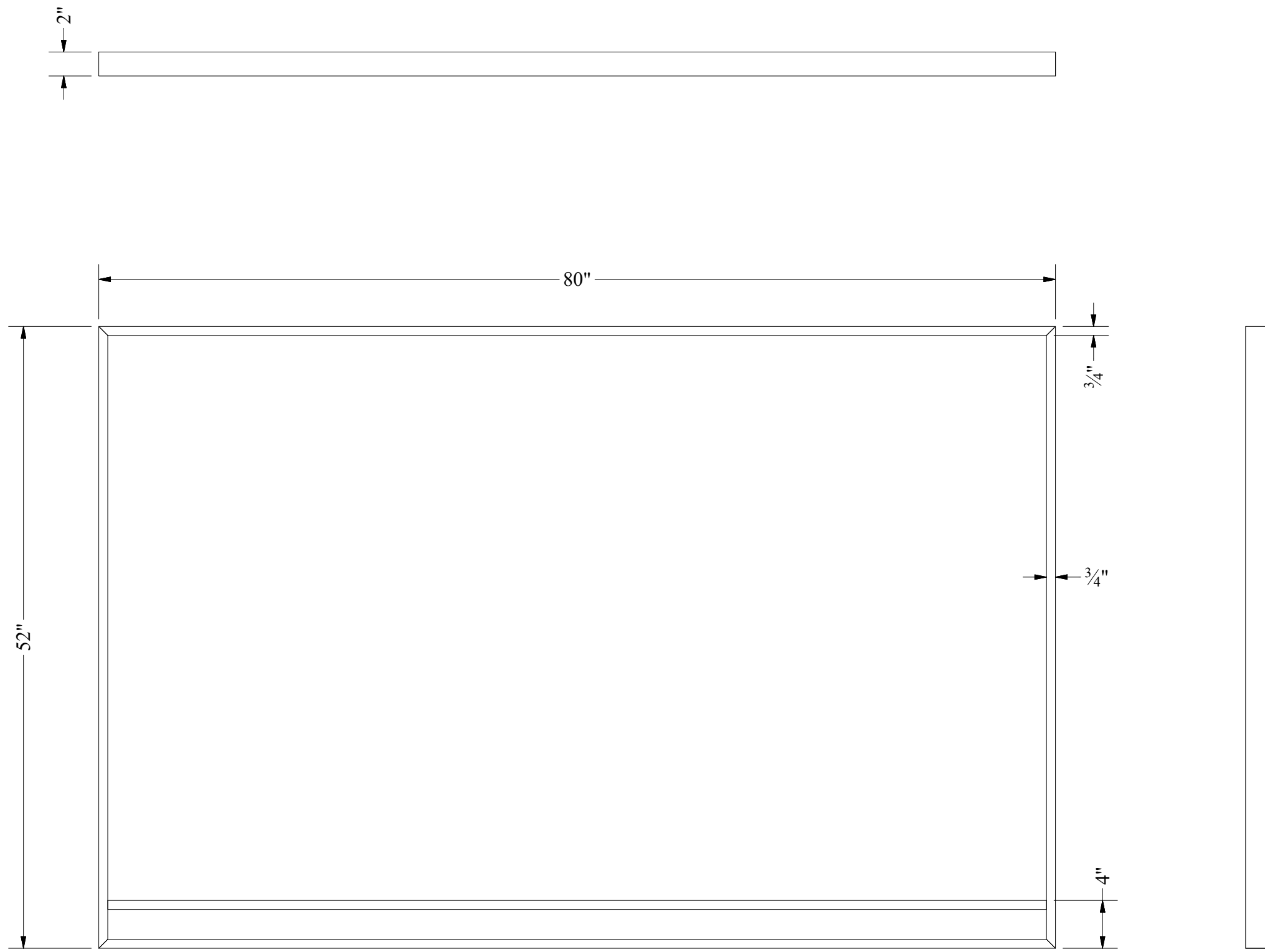
REV:	DESCRIPTION	BY:	DATE:


Hi-Tech iSolutions LLP
 Commerce House-4,
 9th Floor, Prahaladnagar, Ahmedabad
 Phone:+91-794-000-3000
 www.hitechdigital.com

TITLE: GLASS TOP TABLE

JOB#:	DRAWN:	REV:
10-000	Hi-Tech	
DATE:	SCALE:	PAGE:
12-23-2020	1/5	44 of 52

05-005	RIGHT DOOR GLASS		
Part Size:	30 3/8x17x1/4		
Workpiece Size:	xx		
Material properties			
Code:		Name:	Glass
Color properties			
Code:		Name:	Clear



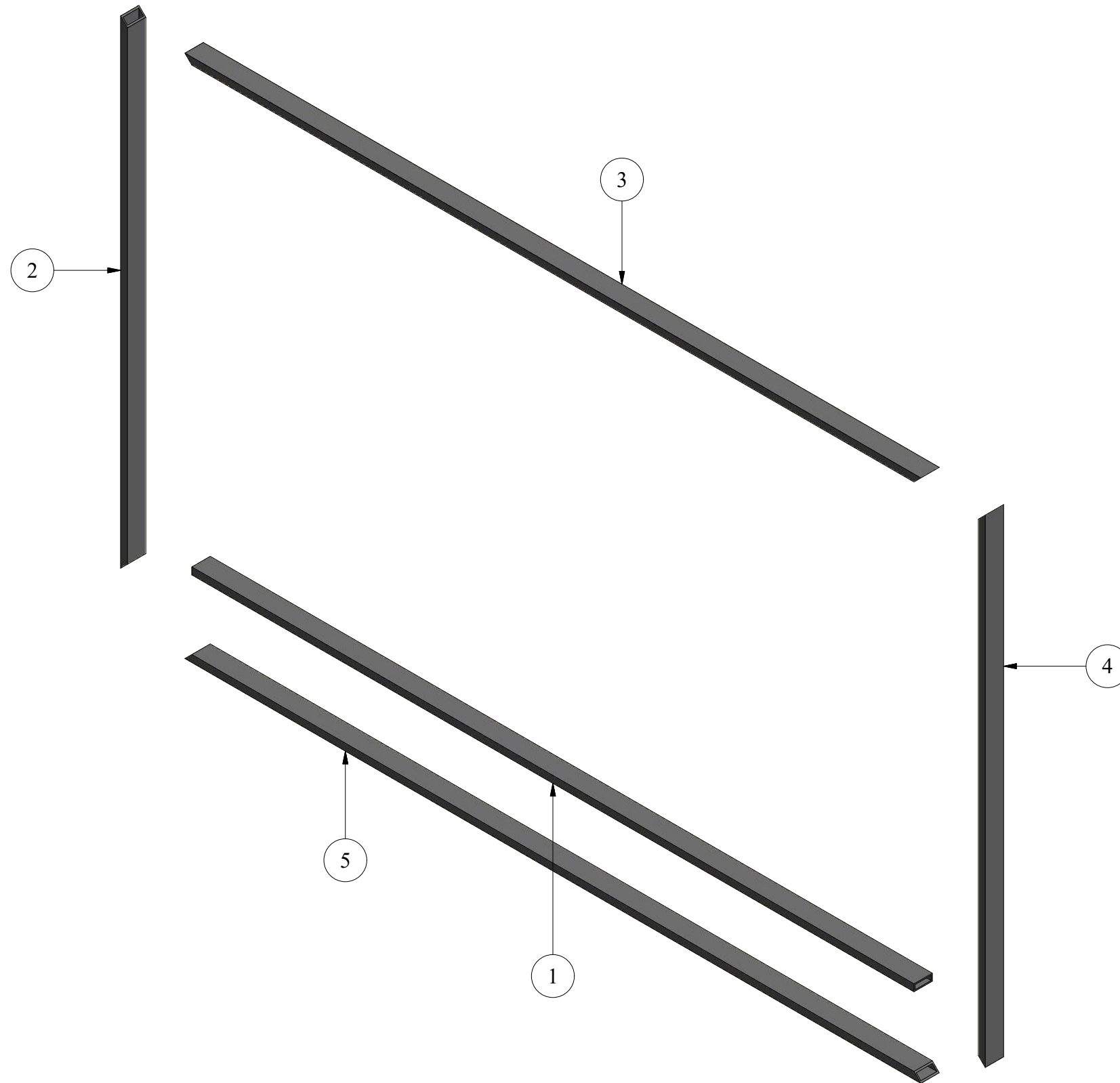
REV:	DESCRIPTION	BY:	DATE:


Hi-Tech iSolutions LLP
 Commerce House-4,
 9th Floor, Prahaladnagar, Ahmedabad
 Phone: +91-794-000-3000
 www.hitechdigital.com

TITLE: GLASS TOP TABLE

JOB#:	DRAWN:	REV:
10-000	Hi-Tech	
DATE:	SCALE:	PAGE:
12-23-2020	1/10	45 of 52

PARTS LIST			
ITEM	PART NUMBER	DESCRIPTION	QTY
1	06-001	METAL FRAME EXTRUSION 1	1
2	06-002	METAL FRAME EXTRUSION 2	1
3	06-003	METAL FRAME EXTRUSION 3	1
4	06-004	METAL FRAME EXTRUSION 4	1
5	06-005	METAL FRAME EXTRUSION 5	1

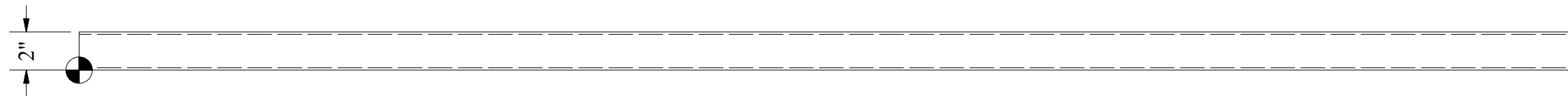
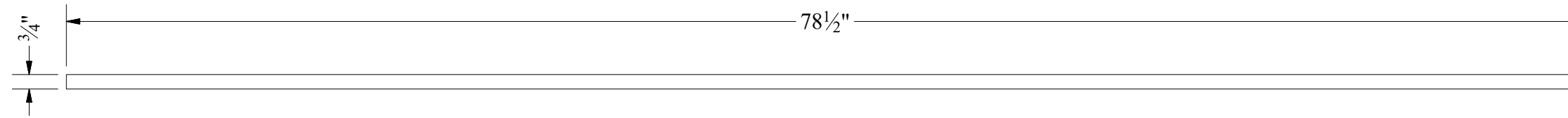


REV:	DESCRIPTION	BY:	DATE:

Hi-Tech iSolutions LLP
 Commerce House-4,
 9th Floor, Prahaladnagar, Ahmedabad
 Phone:+91-794-000-3000
 www.hitechdigital.com
hitech
 Your Trusted Outsourcing Partner

TITLE: GLASS TOP TABLE

JOB#:	DRAWN:	REV:
10-000	Hi-Tech	
DATE:	SCALE:	PAGE:
12-23-2020	1/10	46 of 52



1/8" TYP.

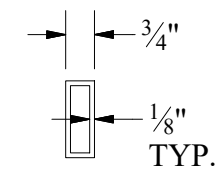
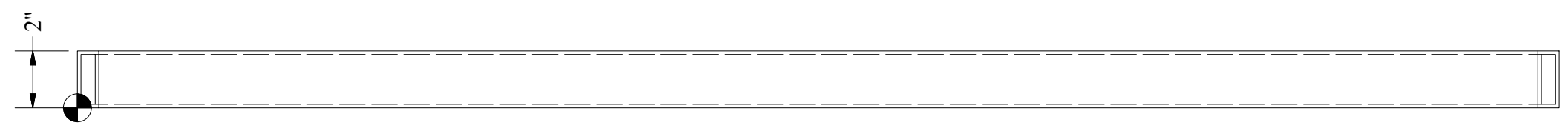
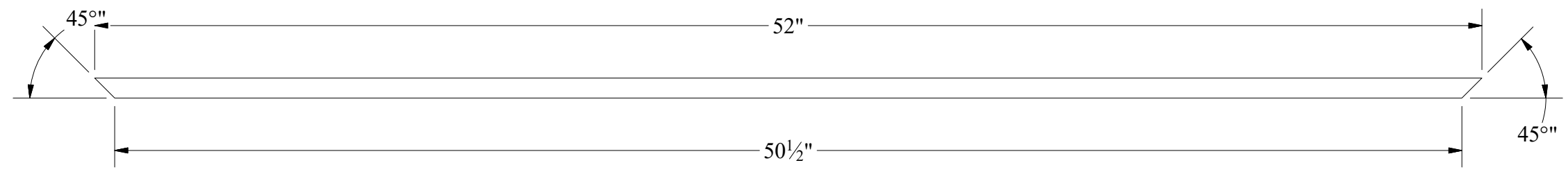
REV:	DESCRIPTION	BY:	DATE:


Hi-Tech iSolutions LLP
 Commerce House-4,
 9th Floor, Prahaladnagar, Ahmedabad
 Phone:+91-794-000-3000
 www.hitechdigital.com

06-001	METAL FRAME EXTRUSION 1		
Part Size:	78 1/2x2x3/4		
Workpiece Size:	xx		
Material properties			
Code:		Name:	Stainless Steel
Color properties			
Code:		Name:	Chrome Plated

TITLE: GLASS TOP TABLE

JOB#:	DRAWN:	REV:
10-000	Hi-Tech	
DATE:	SCALE:	PAGE:
12-23-2020	1/7	47 of 52



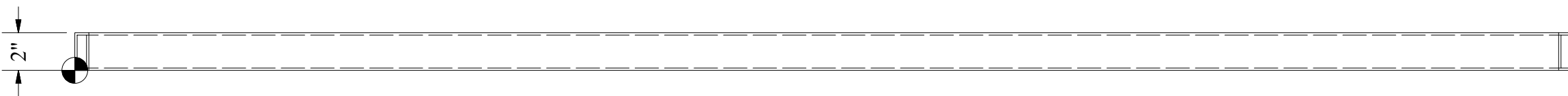
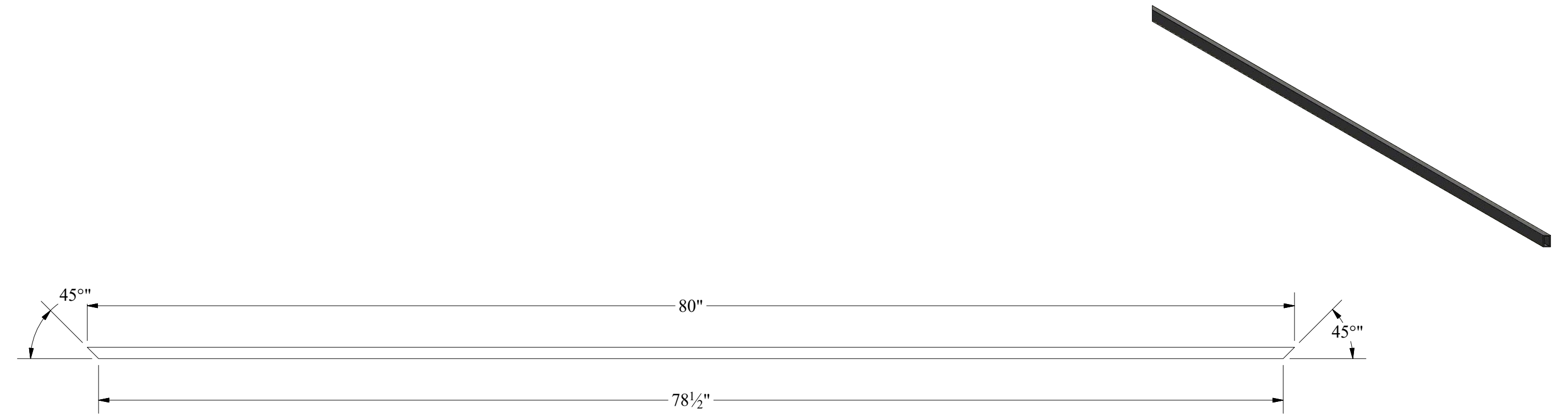
REV:	DESCRIPTION	BY:	DATE:


Hi-Tech iSolutions LLP
 Commerce House-4,
 9th Floor, Prahaladnagar, Ahmedabad
 Phone:+91-794-000-3000
 www.hitechdigital.com

TITLE: GLASS TOP TABLE

JOB#:	DRAWN:	REV:
10-000	Hi-Tech	
DATE:	SCALE:	PAGE:
12-23-2020	1/5	48 of 52

06-002	METAL FRAME EXTRUSION 2		
Part Size:	52x2x3/4		
Workpiece Size:	xx		
Material properties			
Code:		Name:	Stainless Steel
Color properties			
Code:		Name:	Chromer Plated



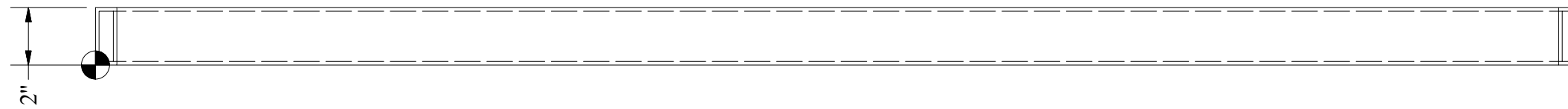
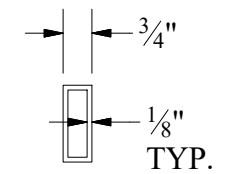
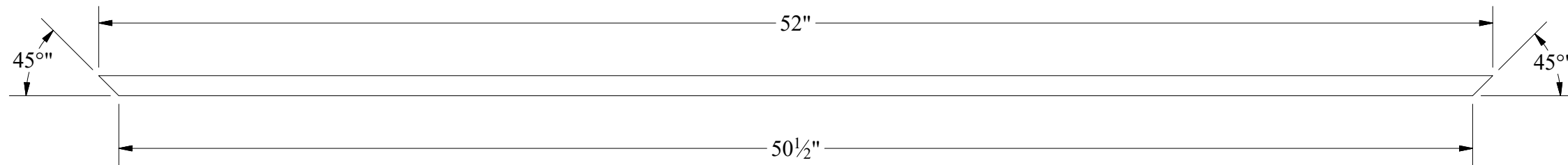
REV:	DESCRIPTION	BY:	DATE:


Hi-Tech iSolutions LLP
 Commerce House-4,
 9th Floor, Prahaladnagar, Ahmedabad
 Phone:+91-794-000-3000
 www.hitechdigital.com

TITLE: GLASS TOP TABLE

JOB#:	DRAWN:	REV:
10-000	Hi-Tech	
DATE:	SCALE:	PAGE:
12-23-2020	1/7	49 of 52

06-003	METAL FRAME EXTRUSION 3
Part Size:	80x2x3/4
Workpiece Size:	xx
Material properties	
Code:	Name: Stainless Steel
Color properties	
Code:	Name: Chrome Plated



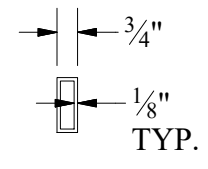
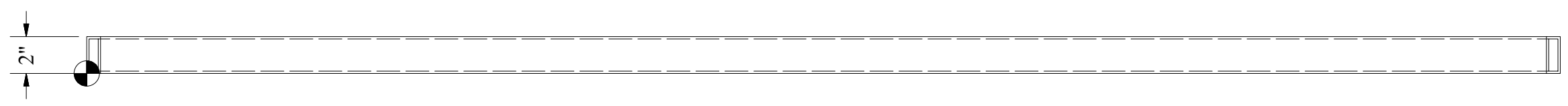
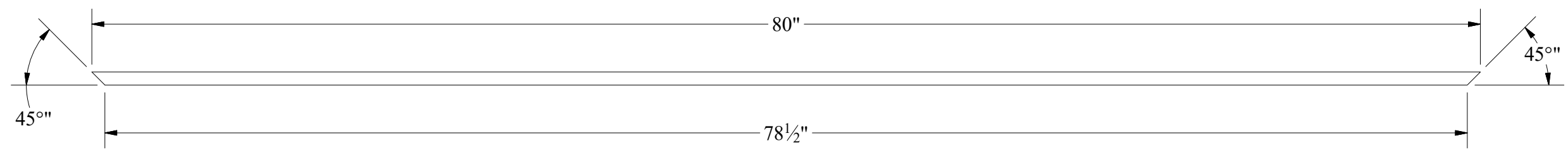
REV:	DESCRIPTION	BY:	DATE:


Hi-Tech iSolutions LLP
 Commerce House-4,
 9th Floor, Prahaladnagar, Ahmedabad
 Phone:+91-794-000-3000
 www.hitechdigital.com

TITLE: GLASS TOP TABLE

JOB#:	DRAWN:	REV:
10-000	Hi-Tech	
DATE:	SCALE:	PAGE:
12-23-2020	1/5	50 of 52

06-004	METAL FRAME EXTRUSION 4		
Part Size:	52x2x3/4		
Workpiece Size:	xx		
Material properties			
Code:		Name:	Stainless Steel
Color properties			
Code:		Name:	Chrome Plated



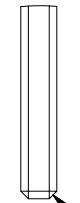
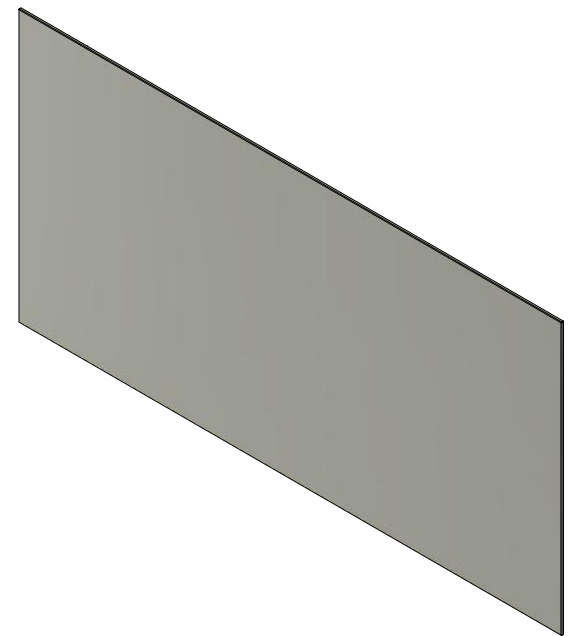
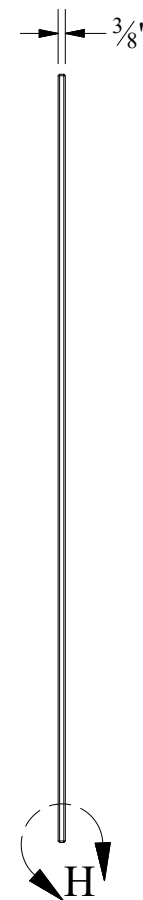
REV:	DESCRIPTION	BY:	DATE:


Hi-Tech iSolutions LLP
 Commerce House-4,
 9th Floor, Prahaladnagar, Ahmedabad
 Phone:+91-794-000-3000
 www.hitechdigital.com

TITLE: GLASS TOP TABLE

JOB#:	DRAWN:	REV:
10-000	Hi-Tech	
DATE:	SCALE:	PAGE:
12-23-2020	1/7	51 of 52

06-005	METAL FRAME EXTRUSION 5
Part Size:	80x2x3/4
Workpiece Size:	xx
Material properties	
Code:	Name: Stainless Steel
Color properties	
Code:	Name: Chrome Plated



1/8 X 45° Chamfer"
DETAIL H

REV:	DESCRIPTION	BY:	DATE:


Hi-Tech iSolutions LLP
 Commerce House-4,
 9th Floor, Prahaladnagar, Ahmedabad
 Phone:+91-794-000-3000
 www.hitechdigital.com

TITLE: GLASS TOP TABLE		
JOB#:	DRAWN:	REV:
10-000	Hi-Tech	
DATE:	SCALE:	PAGE:
12-23-2020	1/10	52 of 52

07	TOP GLASS		
Part Size:	80x40x3/8		
Workpiece Size:	xx		
Material properties			
Code:		Name:	Glass
Color properties			
Code:		Name:	Clear